

SOURCE BOOK 2011

The logo for the West Virginia Department of Education, featuring three yellow stars of varying sizes to the left of the text. The text is in a serif font, with "West Virginia" in a smaller size above "Department of EDUCATION".

West Virginia Department of
EDUCATION



**WEST VIRGINIA BOARD OF EDUCATION
2012-2013**

L. Wade Linger Jr., President
Gayle C. Manchin, Vice President
Robert W. Dunlevy, Secretary

Thomas W. Campbell, Member
Michael I. Green, Member
Priscilla M. Haden, Member
Lloyd G. Jackson II, Member
Jenny N. Phillips, Member
William M. White, Member

Paul L. Hill, Ex Officio
Chancellor
West Virginia Higher Education Policy Commission

James L. Skidmore, Ex Officio
Chancellor
West Virginia Council for Community and Technical College Education

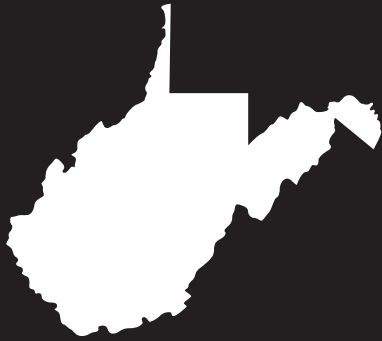
Charles K. Heinlein, Ex Officio
State Superintendent of Schools
West Virginia Department of Education

**Public Education
In West Virginia**

SOURCE BOOK 2011

**2012
No. 31**

Charles K. Heinlein
State Superintendent of Schools
West Virginia Department of Education



QUICK FACTS ON EDUCATION IN WEST VIRGINIA

Public School Enrollment (Second month, 2010-11)

Prekindergarten	14,647
Kindergarten	21,245
Elementary (Grades 1-8)	165,404
Secondary (Grades 9-12)	80,834
TOTAL	282,130

Technical and Adult Education Enrollments 2009-10

Secondary	94,801
-----------------	--------

Adult Technical:

Full Time	5,874
Part Time	131,231
Adult Basic Education	33,023
TOTAL	264,929

Public High School Graduates (2009-10)	17,639
---------------------------------------------------------	---------------

General Education Development (GED) Certificates Earned (2009-10)	5,946
----------------------------------------------------------------------------------------	--------------

Number of Public Schools (September 2011)	
Elementary	576
Secondary	160
TOTAL	736

Revenues by Source (2009-10)	
Local \$1,005,093,034	32.3%
State \$1,576,371,395	50.6%
Federal \$534,882,713	17.2%
TOTAL \$3,117,347,142	100.0%

Total Expenditures (2009-10)	
Current operations	\$2,913,543,905
Capital outlay	\$163,622,757
Debt service	\$41,117,479
TOTAL	\$3,118,284,141

Per Pupil Expenditure (2009-10)

Based on student enrollment\$10,707.32

Public Staff Ratios (2009-10)

Pupil teacher ratio 13.9
Pupil administrator ratio 147.7

Public School Staff (2010-11) (Excluding RESAs)

No. of professional personnel (FTE)
..... 24,619.83
No. of classroom teachers (FTE) (Included above)
..... 19,778.21
No. of professional student support personnel
(FTE) (Included above)
..... 972.32
No. of school service personnel (FTE)
..... 13,909.02

Standardized Test Scores (2009-10)

West Virginia American College Testing
Program (ACT) composite score 20.7

West Virginia Teacher Salaries (2010-11)

A.B. degree\$30,187 - \$50,996
A.B +15.....\$31,040 - \$51,849
M.A.\$32,999 - \$53,808
M.A. +15.....\$33,856 - \$54,665
M.A. +30.....\$34,713 - \$55,522
M.A. +45.....\$35,474 - \$56,283
Doctorate\$36,600 - \$57,409

Average Contracted Salaries (2010-11)

Professional Personnel.....\$46,759
Classroom Teachers.....\$44,262
Service Personnel\$25,808

Note: (Source, The West Virginia Department of Education)

TABLE OF CONTENTS

FINANCE

PROPERTY TAXES

Taxable Assessed Valuations	3
Levy Rates - Class I Property	4
Projected Gross Tax Collections	5
Excess Levies in Effect.....	6
Bond Elections Attempted (alphabetical).....	7
Bond Elections Attempted (chronological)	12
Bonding Potential	17

PUBLIC SCHOOL SUPPORT PROGRAM

Financial Information	18
Student Enrollment Data	25
Professional Educators Data	26
Service Personnel Data.....	27
Personnel Ratios Data	28
Professional/Instructional Personnel Data	29
Student Support Personnel Data.....	30

PRELIMINARY BUDGETS, COUNTY BOARDS OF EDUCATION

Summary of Proposed Budgets	31
-----------------------------------	----

REVENUES AND EXPENDITURES A2008-09

Total Revenues by Source 2009-10 (graph)	32
Total Revenues by Source 2009-10	33
Total Expenditures, 2009-10.....	34
Per Pupil Expenditures (arranged)	35
Current Expenditures, 2009-10 (graph)	36
Current Expenditures, 2009-10	37
Per Pupil Expenditures, by County	40
Expenditures for Salaries and Employee Benefits.....	41
Salaries: Professional Personnel and Substitutes.....	44
Salaries: Service Personnel and Substitutes	46
Expenditures for Instructional Supplies	48

STUDENT ENROLLMENTS

ENROLLMENT, SECOND MONTH, 2010-11	
Public School Headcount Enrollment by Grade	51
Comparison of Enrollment Factors	53

PERSONNEL

PROFESSIONAL EDUCATORS

Classification of Professional Personnel by Assignment and Funding Source	62
Distribution of Professional Educators (Eligible for State Aid Funding)	63
Distribution of Student Support Personnel (Eligible for State Aid Funding)	64
Average Contracted Salaries - Professional Personnel	65
Average Contracted Salaries - Classroom Teachers	70
Teachers' State Basic Salary Schedule	72
Teachers' State Equity Supplement Schedule.....	73
Teachers' State Minimum Salary Schedule with Equity	74
Principals and Assistant Principals State Increment Schedule	75
History of Salary Increases - Teachers.....	76

DEMOGRAPHICS OF EDUCATORS

A Profile of West Virginia Public School Educators	77
A Profile of West Virginia Public School Administrators	78
Distribution by Age of Educators	79
Distribution by Age of Administrators	80
Experience in Years by Percentage of Educators	81
Experience in Years by Percentage of Administrators	82
Salary Classification of Educators	83
Salary Classification of Administrators.....	84
Experience and Salary Classification of Employed Educators	85
Experience and Salary Classification of Employed Administrators	85
Average Salaries for Public School Educators.....	86
Average Salaries for Classroom Teachers	87
Average Salaries for Beginning Classroom Teachers	88
West Virginia Educators Holding Permanent Licenses	89
Professional Posted Positions by Specialization	90
Professional Positions Not Filled and Reasons	92
Professional Posted Positions by Specialization	93
Reasons for Not Returning Educators	94
Trend Data Related to Personnel on Less than a Professional License.....	95
Non-Returning Educators Terminated Due to a Reduction in Force	97

SERVICE PERSONNEL

Classification of Service Personnel by Assignment and Funding Source	98
Distribution of Service Personnel (Eligible for State Aid Funding)	99
Average Contracted Salaries - Service Personnel.....	100
Service Personnel State Basic Monthly Pay Scale	101
Service Personnel State Equity Monthly Supplement Pay Scale	102
Service Personnel State Minimum Monthly Pay Scale with Equity.....	103
History of Salary Increases - Service Personnel	104
Service Personnel Job Titles by Pay Grade	105

PROGRAMS

CHILD NUTRITION PROGRAMS	
Average Number of Meals Served Daily	108
TITLE I FUNDS	
Summary	109
Description of Approved Expenditures	110
TITLE II PART A	
Summary	113
TITLE II PART B	
Summary	115
TITLE III	
Summary	116
TITLE IV PART A	
Summary	119
County Allocations	119
TITLE VI PART B	
Summary	125
EXCEPTIONAL CHILDREN	
Second Month Report, Student Count	126
Second Month Report, Exceptional Student Count	127
Medicaid	133
Preschool Children with Disabilities	134
Services to Students with Deafblindness	134
SCHOOL TRANSPORTATION	
Program Summary	141
SCHOOL FACILITIES	
Board Approved Comprehensive Facilities Plans	142
TECHNICAL AND ADULT EDUCATION SERVICES	
Summary of Enrollment, Programs and Facilities	144
Adult Basic Education, Funding and Enrollments	145
Placement of Graduates 1983-2010	146
State Appropriations, 1980-2011	147
Distribution of Technical and Adult Education Facilities (map)	148
High Schools That Work and Making Middle Grades Work Sites (map)	149
Institutional Education Programs	150
Cedar Lakes Conference Center	153

FINANCE

**COUNTY BOARDS OF EDUCATION
TAXABLE ASSESSED VALUATIONS
FOR THE 2010-11 FISCAL YEAR**

County	Class I Assessed Valuations	Class II Assessed Valuations	Class III Assessed Valuations	Class IV Assessed Valuations	Total Assessed Valuations
Barbour	-	160,720,182	212,549,253	51,033,363	424,302,798
Berkeley	-	3,140,909,591	1,448,692,415	490,906,661	5,080,508,667
Boone	-	195,243,102	1,301,684,107	63,264,968	1,560,192,177
Braxton	-	160,097,318	280,148,403	38,271,350	478,517,071
Brooke	-	259,216,490	88,287,134	404,734,828	752,238,452
Cabell	-	1,285,990,092	771,106,175	1,064,022,948	3,121,119,215
Calhoun	-	71,478,417	154,776,714	9,461,113	235,716,244
Clay	-	65,222,869	221,339,167	12,276,831	298,838,867
Doddridge	-	116,438,838	332,036,385	9,055,688	457,530,911
Fayette	-	424,700,098	604,327,710	230,354,948	1,259,382,756
Gilmer	-	84,169,904	257,021,498	23,074,221	364,265,623
Grant	-	237,274,438	536,283,277	44,101,579	817,659,294
Greenbrier	-	705,019,915	623,977,430	207,142,537	1,536,139,882
Hampshire	-	828,429,322	500,329,152	57,979,574	1,386,738,048
Hancock	120	353,058,280	349,967,825	247,574,024	950,600,249
Hardy	-	435,556,385	329,073,208	103,711,329	868,340,922
Harrison	-	1,056,709,434	1,209,629,754	819,321,030	3,085,660,218
Jackson	-	420,026,936	573,155,270	133,946,607	1,127,128,813
Jefferson	-	2,119,649,580	868,421,052	399,273,387	3,387,344,019
Kanawha	-	3,214,506,868	2,518,018,467	2,836,979,637	8,569,504,972
Lewis	-	239,686,406	670,627,383	58,278,393	968,592,182
Lincoln	-	131,443,260	393,173,822	18,094,321	542,711,403
Logan	-	249,965,733	1,135,162,415	108,220,307	1,493,348,455
Marion	-	886,683,448	743,154,615	498,256,598	2,128,094,661
Marshall	-	369,175,387	1,191,053,013	224,967,159	1,785,195,559
Mason	-	354,220,624	607,424,053	89,581,359	1,051,226,036
McDowell	-	46,419,560	851,174,345	89,105,357	986,699,262
Mercer	-	639,029,412	587,358,208	311,832,332	1,538,219,952
Mineral	-	529,606,159	334,255,486	84,537,532	948,399,177
Mingo	-	139,749,678	909,856,138	91,878,435	1,141,484,251
Monongalia	-	1,559,982,982	1,706,934,100	824,199,337	4,091,116,419
Monroe	-	199,191,773	136,713,852	14,786,698	350,692,323
Morgan	-	719,168,270	309,255,620	42,459,979	1,070,883,869
Nicholas	-	307,380,968	478,774,767	113,900,411	900,056,146
Ohio	-	758,887,522	288,468,584	598,277,277	1,645,633,383
Pendleton	-	243,768,300	134,376,557	14,875,667	393,020,524
Pleasants	-	106,132,074	433,535,468	35,514,817	575,182,359
Pocahontas	-	242,321,835	422,893,798	30,489,778	695,705,411
Preston	-	521,601,842	465,429,181	108,569,412	1,095,600,435
Putnam	-	1,290,479,121	1,204,824,972	171,092,933	2,666,397,026
Raleigh	-	981,146,682	1,388,964,212	455,555,048	2,825,665,942
Randolph	-	401,285,090	452,203,801	143,843,422	997,332,313
Ritchie	-	175,386,665	281,281,901	44,733,013	501,401,579
Roane	-	186,967,244	201,061,533	41,066,612	429,095,389
Summers	-	164,336,874	168,703,434	44,334,299	377,374,607
Taylor	-	280,257,732	223,448,142	61,773,013	565,478,887
Tucker	-	155,252,172	300,173,524	60,212,031	515,637,727
Tyler	-	126,696,792	219,266,269	30,848,271	376,811,332
Upshur	-	375,464,187	518,831,424	105,439,703	999,735,314
Wayne	-	376,890,592	628,367,656	132,999,709	1,138,257,957
Webster	-	52,047,250	229,315,849	18,962,142	300,325,241
Wetzel	-	187,412,844	339,242,856	114,807,706	641,463,406
Wirt	-	69,544,682	48,458,514	9,531,968	127,535,164
Wood	-	1,569,769,116	761,479,816	767,007,011	3,098,255,943
Wyoming	-	76,939,206	834,239,767	48,798,255	959,977,228
Total	120	30,048,709,541	32,780,309,471	12,855,316,928	75,684,336,060

Source: Levy Order and Rate Sheet submitted by each county board for the 2009-10 fiscal year.

**COUNTY BOARDS OF EDUCATION
LEVY RATES - CLASS I PROPERTY
FOR THE 2010-11 FISCAL YEAR**

County	Current Expense Purposes	Permanent Improvement Purposes	Excess Levy Purposes	Percent of Maximum (22.95)	Bond Purposes	Total Levy Rates
Barbour	19.40	-	-	-	-	19.40
Berkeley	19.40	-	22.50	98.0%	5.24	47.14
Boone	19.40	-	22.95	100.0%	-	42.35
Braxton	19.40	-	-	-	8.36	27.76
Brooke	19.40	-	22.95	100.0%	5.74	48.09
Cabell	17.90	1.50	22.95	100.0%	6.19	48.54
Calhoun	19.40	-	0.53	2.3%	4.48	24.41
Clay	19.40	-	6.50	28.3%	-	25.90
Doddridge	19.40	-	22.95	100.0%	5.33	47.68
Fayette	19.40	-	22.95	100.0%	-	42.35
Gilmer	19.40	-	8.08	35.2%	-	27.48
Grant	19.40	-	-	-	-	19.40
Greenbrier	19.40	-	11.475	50.0%	10.75	41.63
Hampshire	19.40	-	-	-	-	19.40
Hancock	19.40	-	22.95	100.0%	-	42.35
Hardy	19.40	-	-	-	-	19.40
Harrison	19.40	-	20.33	88.6%	-	39.73
Jackson	19.40	-	22.95	100.0%	-	42.35
Jefferson	19.40	-	22.95	100.0%	1.98	44.33
Kanawha	19.40	-	17.20	75.0%	-	36.60
Lewis	19.40	-	10.32	45.0%	-	29.72
Lincoln	19.40	-	22.95	100.0%	-	42.35
Logan	19.40	-	22.95	100.0%	-	42.35
Marion	19.40	-	22.95	100.0%	-	42.35
Marshall	19.40	-	22.49	98.0%	4.60	46.49
Mason	19.40	-	20.48	89.2%	3.88	43.76
McDowell	19.40	-	22.95	100.0%	-	42.35
Mercer	19.40	-	22.95	100.0%	-	42.35
Mineral	19.40	-	22.95	100.0%	-	42.35
Mingo	17.90	1.50	22.95	100.0%	-	42.35
Monongalia	19.40	-	17.21	75.0%	2.81	39.42
Monroe	17.90	1.50	17.21	75.0%	1.98	38.59
Morgan	19.40	-	20.31	88.5%	-	39.71
Nicholas	19.40	-	13.31	58.0%	-	32.71
Ohio	19.40	-	21.92	95.5%	2.41	43.73
Pendleton	19.40	-	-	-	-	19.40
Pleasants	19.40	-	19.06	83.1%	-	38.46
Pocahontas	19.40	-	-	-	-	19.40
Preston	19.40	-	4.31	18.8%	-	23.71
Putnam	19.40	-	22.95	100.0%	7.01	49.36
Raleigh	19.40	-	22.95	100.0%	-	42.35
Randolph	19.40	-	-	-	-	19.40
Ritchie	19.40	-	14.92	65.0%	-	34.32
Roane	19.40	-	-	-	2.22	21.62
Summers	19.40	-	-	-	-	19.40
Taylor	19.40	-	11.475	50.0%	5.85	36.73
Tucker	19.40	-	-	-	-	19.40
Tyler	19.40	-	22.95	100.0%	-	42.35
Upshur	19.40	-	9.83	42.8%	-	29.23
Wayne	19.40	-	22.95	100.0%	-	42.35
Webster	19.40	-	-	-	-	19.40
Wetzel	19.40	-	22.95	100.0%	-	42.35
Wirt	19.40	-	20.66	90.0%	-	40.06
Wood	19.40	-	18.36	80.0%	3.77	41.53
Wyoming	17.90	1.50	22.95	100.0%	1.96	44.31
State	55	4	43	43	18	55

OSF2
05/20/10
Taxable Assessed Valuations 11

**COUNTY BOARDS OF EDUCATION
SUMMARY OF PROJECTED GROSS TAX COLLECTIONS
FOR THE 2008-09 FISCAL YEAR**

County	Current Expense Purposes	Permanent Improvement Purposes	Excess Levy Purposes	Bond Purposes	Total
Barbour	2,668,995	-	-	-	2,668,995
Berkeley	27,238,018	-	31,590,485	7,357,072	66,185,575
Boone	11,349,548	-	13,426,398	-	24,775,946
Braxton	3,092,116	-	-	1,332,478	4,424,594
Brooke	4,831,610	-	5,715,746	1,429,559	11,976,915
Cabell	17,743,369	1,486,875	22,749,181	6,130,880	48,110,305
Calhoun	1,551,821	-	42,396	358,359	1,952,576
Clay	2,065,925	-	692,192	-	2,758,117
Doddridge	3,098,657	-	3,665,679	851,333	7,615,669
Fayette	8,124,973	-	9,611,759	-	17,736,732
Gilmer	2,500,122	-	1,041,288	-	3,541,410
Grant	5,424,411	-	-	-	5,424,411
Greenbrier	9,184,968	-	5,432,861	5,089,609	19,707,438
Hampshire	7,546,781	-	-	-	7,546,781
Hancock	6,006,790	-	7,105,973	-	13,112,763
Hardy	5,048,367	-	-	-	5,048,367
Harrison	19,844,691	-	20,796,009	-	40,640,700
Jackson	7,116,816	-	8,419,119	-	15,535,935
Jefferson	18,061,548	-	21,366,627	1,843,395	41,271,570
Kanawha	54,027,072	-	47,900,291	-	101,927,363
Lewis	6,586,291	-	3,503,636	-	10,089,927
Lincoln	3,701,441	-	4,378,767	-	8,080,208
Logan	10,618,517	-	12,561,596	-	23,180,113
Marion	13,073,683	-	15,466,032	-	28,539,715
Marshall	12,420,717	-	14,399,069	2,945,119	29,764,905
Mason	6,783,138	-	7,160,756	1,356,627	15,300,521
McDowell	7,476,679	-	8,844,833	-	16,321,512
Mercer	9,457,153	-	11,187,714	-	20,644,867
Mineral	5,304,706	-	6,275,412	-	11,580,118
Mingo	7,672,724	642,966	9,837,374	-	18,153,064
Monongalia	25,694,330	-	22,793,783	3,721,704	52,209,817
Monroe	1,797,851	150,658	1,728,548	198,868	3,875,925
Morgan	5,519,686	-	5,778,600	-	11,298,286
Nicholas	5,791,797	-	3,973,651	-	9,765,448
Ohio	9,825,632	-	11,101,951	1,220,607	22,148,190
Pendleton	2,104,018	-	-	-	2,104,018
Pleasants	4,051,622	-	3,980,614	-	8,032,236
Pocahontas	4,458,466	-	-	-	4,458,466
Preston	6,478,044	-	1,439,195	-	7,917,239
Putnam	15,684,182	-	18,554,225	5,667,326	39,905,733
Raleigh	18,120,318	-	21,436,149	-	39,556,467
Randolph	6,182,312	-	-	-	6,182,312
Ritchie	3,210,376	-	2,469,011	-	5,679,387
Roane	2,604,347	-	-	298,023	2,902,370
Summers	2,290,800	-	-	-	2,290,800
Taylor	3,300,717	-	1,952,356	995,320	6,248,393
Tucker	3,398,970	-	-	-	3,398,970
Tyler	2,432,473	-	2,877,589	-	5,310,062
Upshur	6,301,145	-	3,192,797	-	9,493,942
Wayne	7,370,546	-	8,719,280	-	16,089,826
Webster	2,128,580	-	-	-	2,128,580
Wetzel	4,250,595	-	5,028,409	-	9,279,004
Wirt	719,839	-	766,592	-	1,486,431
Wood	17,951,761	-	16,989,399	3,488,565	38,429,725
Wyoming	6,597,995	552,905	8,459,440	722,462	16,332,802
Total	467,888,049	2,833,404	434,412,782	45,007,306	950,141,541

OSF2

05/20/10

Taxable Assessed Valuations 11

**COUNTY BOARDS OF EDUCATION
EXCESS LEVIES IN EFFECT
2010-11 YEAR**

County	Date of Election	Percent of Votes for Levy	Class I Levy Rate Per \$100	Percent of Maximum (22.95)	Max Rate Allowed By Levy Call	Number of Years	Expiration Date
Barbour	-	-	-	-	-	-	-
Berkeley	05-09-06	71.3%	22.50	98.0%	22.50	4	6-30-11
Boone	05-11-10	83.1%	22.95	100.0%	22.95	5	6-30-15
Braxton	-	-	-	-	-	-	-
Brooke	11-04-08	66.6%	22.95	100.0%	22.95	5	6-30-14
Cabell	11-08-08	65.1%	22.95	100.0%	22.95	5	6-30-15
Calhoun	11-07-06	65.4%	0.53	2.3%	0.53	5	6-30-12
Clay	01-19-02	68.2%	6.50	28.3%	6.50	5	6-30-12
Doddridge	11-04-08	54.5%	22.95	100.0%	22.95	5	6-30-14
Fayette	05-13-08	71.3%	22.95	100.0%	22.95	5	6-30-14
Gilmer	09-15-07	72.8%	8.08	35.2%	9.18	5	6-30-13
Grant	-	-	-	-	-	-	-
Greenbrier	05-23-08	69.0%	11.48	50.0%	11.48	5	6-30-14
Hampshire	-	-	-	-	-	-	-
Hancock	11-04-08	66.3%	22.95	100.0%	22.95	5	6-30-14
Hardy	-	-	-	-	-	-	-
Harrison	12-17-05	63.4%	20.33	88.6%	20.66	5	6-30-11
Jackson	05-13-08	64.4%	22.95	100.0%	22.95	5	6-30-14
Jefferson	11-07-06	69.0%	22.95	100.0%	22.95	4	6-30-11
Kanawha	05-13-08	60.4%	17.20	75.0%	22.95	5	6-30-14
Lewis	02-20-10	80.5%	10.32	45.0%	10.32	5	6-30-15
Lincoln	11-04-08	61.7%	22.95	100.0%	22.95	5	6-30-14
Logan	11-04-08	78.4%	22.95	100.0%	22.95	5	6-30-14
Marion	02-07-09	65.7%	22.95	100.0%	22.95	5	6-30-14
Marshall	12-14-07	65.4%	22.49	98.0%	22.95	5	6-30-13
Mason	11-04-08	57.1%	20.48	89.2%	20.48	5	6-30-14
McDowell	02-07-09	93.5%	22.95	100.0%	22.95	5	6-30-14
Mercer	01-30-10	83.3%	22.95	100.0%	22.95	5	6-30-15
Mineral	05-21-05	77.7%	22.95	100.0%	22.95	5	6-30-11
Mingo	01-17-09	78.2%	22.95	100.0%	22.95	5	6-30-14
Monongalia	11-07-06	67.7%	17.21	75.0%	17.21	5	6-30-12
Monroe	01-30-10	66.7%	17.21	75.0%	17.21	5	6-30-15
Morgan	11-04-08	57.2%	20.31	88.5%	22.95	5	6-30-14
Nicholas	11-02-04	50.9%	13.31	58.0%	13.31	5	6-30-11
Ohio	05-30-09	83.9%	21.92	95.5%	22.95	5	6-30-15
Pendleton	-	-	-	-	-	-	-
Pleasants	11-04-08	70.1%	19.06	83.1%	19.06	5	6-30-14
Pocahontas	-	-	-	-	-	-	-
Preston	05-11-10	62.6%	4.31	18.8%	4.31	3	6-30-13
Putnam	11-22-05	68.3%	22.95	100.0%	22.95	5	6-30-11
Raleigh	02-28-09	86.9%	22.95	100.0%	22.95	5	6-30-14
Randolph	-	-	-	-	-	-	-
Ritchie	12-12-09	80.4%	14.92	65.0%	14.92	5	6-30-15
Roane	-	-	-	-	-	-	-
Summers	-	-	-	-	-	-	-
Taylor	01-21-06	62.1%	11.48	50.0%	11.48	5	6-30-11
Tucker	-	-	-	-	-	-	-
Tyler	12-14-07	83.4%	22.95	100.0%	22.95	5	6-30-13
Upshur	02-07-09	51.2%	9.83	42.8%	9.83	5	6-30-14
Wayne	12-20-08	80.9%	22.95	100.0%	22.95	5	6-30-14
Webster	-	-	-	-	-	-	-
Wetzel	12-14-07	82.1%	22.95	100.0%	22.95	5	6-30-13
Wirt	05-09-06	70.9%	20.66	90.0%	20.66	5	6-30-12
Wood	11-04-08	68.7%	18.36	80.0%	18.36	5	6-30-14
Wyoming	11-10-08	78.0%	22.95	100.0%	22.95	5	6-30-14
State (With Levies)	43	70.3%	18.85	82.1%	19.11	4.9	-

OSF
06/02/11
EXCLVY 11

**COUNTY BOARDS OF EDUCATION
BOND ELECTIONS ATTEMPTED SINCE 1971
PRESENTED IN ALPHABETICAL ORDER**

County	Year of Bond Election	Previous Issue Passed	Amount of Bond Issue Proposed	Amount of Bond Issue Approved	Amount of Bond Issue Defeated	Percent of Voters For Bond
Barbour (1)	1978	1969	4,529,000	--	4,529,000	50.6%
Barbour (2)	1978	1969	4,529,000	--	4,529,000	55.0%
Barbour (3)	1979	1969	4,529,000	4,529,000	--	61.3%
Barbour (4)	1998	1979	8,000,000	--	8,000,000	45.8%
Barbour (5)	2000	1979	7,500,000	7,500,000	--	55.4%
Berkeley (1)	1974	--	3,560,000	3,560,000	--	69.2%
Berkeley (2)	1983	1974	12,700,000	--	12,700,000	47.7%
Berkeley (3)	1984	1974	12,000,000	--	12,000,000	49.6%
Berkeley (4)	1987	1974	10,960,000	10,960,000	--	66.0%
Berkeley (5)	1993	1987	42,200,000	--	42,200,000	35.7%
Berkeley (6)	1995	1987	15,950,000	15,950,000	--	56.4%
Berkeley (7)	2001	1995	27,800,000	27,800,000	--	63.3%
Berkeley (8)	2009	2001	51,500,000	51,500,000	--	63.6%
Boone	1977	--	6,745,000	6,745,000	--	81.1%
Braxton (1)	1977	1965	2,200,000	--	2,200,000	26.0%
Braxton (2)	1978	1965	2,840,000	--	2,840,000	32.4%
Braxton (3)	1997	1965	11,660,000	--	11,660,000	20.7%
Braxton (4)	2003	1965	7,200,000	--	7,200,000	42.7%
Braxton (5)	2008	1965	16,100,000	16,100,000	--	52.0%
Brooke (1)	1977	1965	5,565,000	--	5,565,000	32.7%
Brooke (2)	1981	1965	9,865,000	9,865,000	--	63.1%
Brooke (3)	2000	1981	15,000,000	15,000,000	--	57.7%
Cabell (1)	1980	1938	32,890,000	--	32,890,000	35.6%
Cabell (2)	1990	1938	45,000,000	45,000,000	--	57.2%
Cabell (3)	2006	1990	60,455,000	60,455,000	--	55.4%
Calhoun (1)	1975	1949	2,100,000	--	2,100,000	32.0%
Calhoun (2)	1975	1949	2,100,000	--	2,100,000	32.5%
Calhoun (3)	1990	1949	5,375,000	--	5,375,000	40.1%
Calhoun (4)	1990	1949	5,375,000	--	5,375,000	37.1%
Calhoun (5)	1996	1949	3,370,000	3,370,000	--	50.7%
Clay	--	1969	--	--	--	--
Doddridge (1)	1977	1940	1,871,358	--	1,871,358	17.2%
Doddridge (2)	2003	1940	8,900,000	8,900,000	--	61.5%
Fayette (1)	1973	1951	7,600,000	7,600,000	--	76.1%
Fayette (2)	2001	1973	39,000,000	--	39,000,000	13.8%
Fayette (3)	2009	1973	49,000,000	--	49,000,000	22.6%
Gilmer (1)	1974	1955	1,825,000	--	1,825,000	33.0%
Gilmer (2)	1974	1955	2,125,000	--	2,125,000	48.0%
Gilmer (3)	1975	1955	2,125,000	--	2,125,000	50.0%
Gilmer (4)	1976	1955	2,459,000	--	2,459,000	53.6%
Gilmer (5)	1976	1955	2,459,000	--	2,459,000	51.6%
Gilmer (6)	2010	1955	11,915,000	--	11,915,000	37.3%
Grant (1)	1998	1996	3,500,000	--	3,500,000	49.4%
Grant (2)	2008	1996	2,495,500	--	2,495,500	42.0%
Greenbrier (1)	1981	1966	10,539,000	--	10,539,000	31.0%
Greenbrier (2)	1991	1966	20,200,000	--	20,200,000	26.0%
Greenbrier (3)	1996	1966	8,000,000	8,000,000	--	60.6%

**COUNTY BOARDS OF EDUCATION
BOND ELECTIONS ATTEMPTED SINCE 1971
PRESENTED IN ALPHABETICAL ORDER**

County	Year of Bond Election	Previous Issue Passed	Amount of Bond Issue Proposed	Amount of Bond Issue Approved	Amount of Bond Issue Defeated	Percent of Voters For Bond
Greenbrier (4)	2001	1996	8,000,000	8,000,000	--	69.0%
Greenbrier (5)	2005	2001	12,500,000	--	12,500,000	25.8%
Greenbrier (6)	2008	2001	37,745,000	37,745,000		50.8%
Hampshire (1)	1988	1962	8,680,000	--	8,680,000	49.0%
Hampshire (2)	1989	1962	8,680,000	--	8,680,000	23.0%
Hampshire (3)	1997	1962	11,060,000	--	11,060,000	43.8%
Hampshire (4)	1998	1962	3,740,000	3,740,000	--	55.1%
Hancock (1)	1978	1961	13,885,000	--	13,885,000	47.6%
Hancock (2)	1980	1961	13,885,000	13,885,000	--	64.6%
Hancock (3)	1996	1980	12,800,000	--	12,800,000	35.0%
Hancock (4)	1997	1980	12,500,000	--	12,500,000	27.9%
Hancock (5)	2005	1980	34,000,000	--	34,000,000	28.0%
Hancock (6)	2010	1980	37,000,000	37,000,000	--	51.0%
Hardy (1)	1972	--	950,000	950,000	--	65.0%
Hardy (2)	1977	1972	2,430,000	2,430,000	--	68.1%
Hardy (3)	1992	1977	8,000,000	--	8,000,000	32.0%
Hardy (4)	1994	1977	3,700,000	3,700,000	--	61.5%
Hardy (5)	2002	1994	11,970,000	--	11,970,000	46.0%
Hardy (6)	2003	1994	11,970,000	--	11,970,000	46.0%
Harrison (1)	1975	--	12,800,000	--	12,800,000	54.1%
Harrison (2)	1975	--	12,800,000	--	12,800,000	47.2%
Harrison (3)	1988	--	39,700,000	--	39,700,000	42.0%
Harrison (4)	1991	--	37,925,000	37,925,000	--	51.0%
Harrison (5)	2007	1991	42,465,000	--	42,465,000	39.2%
Jackson (1)	1974	1959	5,525,000	--	5,525,000	35.0%
Jackson (2)	2006	1959	39,380,000	--	39,380,000	25.1%
Jefferson (1)	1974	--	1,520,000	1,520,000	--	63.3%
Jefferson (2)	1989	1974	18,000,000	18,000,000	--	74.1%
Jefferson (3)	2000	1989	39,000,000	--	39,000,000	35.0%
Jefferson (4)	2004	1989	19,000,000	19,000,000		71.2%
Kanawha (1)	1976	1967	39,467,000	--	39,467,000	44.0%
Kanawha (2)	1989	1967	103,670,000	--	103,670,000	34.1%
Kanawha (3)	1992	1967	73,705,000	--	73,705,000	49.3%
Kanawha (4)	1995	1967	12,670,000	12,670,000	--	68.3%
Kanawha (5)	1997	1995	98,165,000	--	98,165,000	36.9%
Kanawha (6)	2000	1995	27,505,000	27,505,000	--	59.9%
Lewis (1)	1979	--	6,430,000	--	6,430,000	39.4%
Lewis (2)	2002	--	8,000,000	--	8,000,000	42.0%
Lewis (3)	2003	--	3,980,000	--	3,980,000	36.7%
Lincoln (1)	1976	1952	2,966,658	--	2,966,658	42.5%
Lincoln (2)	1976	1952	2,966,658	--	2,966,658	38.5%
Lincoln (3)	1978	1952	3,157,000	3,157,000	--	66.4%
Lincoln (4)	1991	1978	6,375,000	--	6,375,000	38.1%
Logan (1)	1983	1969	10,000,000	--	10,000,000	34.0%
Logan (2)	1991	1969	23,205,000	--	23,205,000	27.0%
Logan (3)	2003	1969	6,500,000	--	6,500,000	48.0%
Marion (1)	1975	--	12,800,000	--	12,800,000	52.5%
Marion (2)	1975	--	12,800,000	--	12,800,000	58.7%

**COUNTY BOARDS OF EDUCATION
BOND ELECTIONS ATTEMPTED SINCE 1971
PRESENTED IN ALPHABETICAL ORDER**

County	Year of Bond Election	Previous Issue Passed	Amount of Bond Issue Proposed	Amount of Bond Issue Approved	Amount of Bond Issue Defeated	Percent of Voters For Bond
Marion (3)	1976	--	13,475,000	--	13,475,000	46.7%
Marion (4)	1983	--	29,930,000	--	29,930,000	35.1%
Marion (5)	1988	--	32,100,000	--	32,100,000	45.0%
Marion (6)	1989	--	12,330,000	12,330,000	--	55.7%
Marion (7)	1996	1989	3,250,000	3,250,000	--	59.3%
Marion (8)	2000	1996	29,705,000	--	29,705,000	25.0%
Marion (9)	2001	1996	12,000,000	--	12,000,000	42.0%
Marion (10)	2002	1996	4,500,000	4,500,000	--	53.8%
Marion (11)	2008	2002	40,200,000	--	40,200,000	48.0%
Marion (12)	2010	2002	15,760,000	15,760,000	--	53.7%
Marshall (1)	1974	1965	4,350,000	4,350,000	--	75.2%
Marshall (2)	1995	1974	37,790,000	--	37,790,000	26.7%
Marshall (3)	1996	1974	19,870,000	--	19,870,000	36.8%
Marshall (4)	2006	1974	27,900,000	27,900,000	--	51.0%
Mason (1)	1980	1950	8,307,332	--	8,307,332	51.6%
Mason (2)	1980	1950	9,366,000	--	9,366,000	58.5%
Mason (3)	1980	1950	9,366,000	--	9,366,000	49.5%
Mason (4)	1989	1950	18,700,000	--	18,700,000	43.0%
Mason (5)	1990	1950	16,300,000	--	16,300,000	32.0%
Mason (6)	1991	1950	16,300,000	--	16,300,000	42.0%
Mason (7)	2000	1950	24,610,000	--	24,610,000	29.0%
Mason (8)	2004	1950	12,000,000	12,000,000	-	55.0%
McDowell (1)	1974	1964	4,000,000	4,000,000	--	73.0%
McDowell (2)	1996	1974	21,865,000	--	21,865,000	16.0%
Mercer (1)	1979	1954	16,737,000	16,737,000	--	66.2%
Mercer (2)	2001	1979	21,900,000	--	21,900,000	14.0%
Mineral (1)	1973	1938	3,354,000	3,354,000	--	79.0%
Mineral (2)	1990	1973	15,300,000	--	15,300,000	36.0%
Mineral (3)	1991	1973	7,500,000	--	7,500,000	48.0%
Mineral (4)	2001	1973	14,950,000	--	14,950,000	36.0%
Mineral (5)	2004	1973	15,800,000	--	15,800,000	42.0%
Mineral (6)	2008	1973	15,800,000	--	15,800,000	47.9%
Mineral (7)	2008	1973	15,800,000	--	15,800,000	41.6%
Mingo (1)	1978	1967	4,220,000	--	4,220,000	55.9%
Mingo (2)	1979	1967	4,220,000	4,220,000	--	61.6%
Mingo (3)	1984	1979	7,850,000	7,850,000	--	70.6%
Mingo (4)	1990	1984	13,000,000	--	13,000,000	33.0%
Mingo (5)	1990	1984	10,970,000	--	10,970,000	38.0%
Mingo (6)	1993	1984	27,000,000	--	27,000,000	29.8%
Monongalia (1)	1974	1952	7,500,000	--	7,500,000	57.1%
Monongalia (2)	1976	1952	6,995,000	6,995,000	--	66.8%
Monongalia (3)	1987	1976	29,525,000	--	29,525,000	48.0%
Monongalia (4)	1989	1976	32,500,000	32,500,000	--	62.0%
Monongalia (5)	2000	1989	80,079,000	--	80,079,000	28.0%
Monongalia (6)	2003	1989	50,000,000	50,000,000	--	73.2%
Monroe (1)	1975	1961	1,725,000	--	1,725,000	25.9%
Monroe (2)	1993	1961	3,177,915	--	3,177,915	39.3%
Monroe (3)	1998	1961	2,995,000	--	2,995,000	44.0%
Monroe (4)	1999	1961	2,100,000	2,100,000	--	53.9%

**COUNTY BOARDS OF EDUCATION
BOND ELECTIONS ATTEMPTED SINCE 1971
PRESENTED IN ALPHABETICAL ORDER**

County	Year of Bond Election	Previous Issue Passed	Amount of Bond Issue Proposed	Amount of Bond Issue Approved	Amount of Bond Issue Defeated	Percent of Voters For Bond
Morgan (1)	1972	1964	1,835,000	--	1,835,000	54.7%
Morgan (2)	1972	1964	1,595,000	--	1,595,000	54.8%
Morgan (3)	1974	1964	1,835,000	1,835,000	--	77.0%
Morgan (4)	1993	1974	7,500,000	--	7,500,000	32.4%
Nicholas (1)	1975	--	4,500,000	4,500,000	--	70.0%
Nicholas (2)	1988	1975	8,000,000	8,000,000	--	53.0%
Ohio (1)	1973	1940	14,235,000	14,235,000	--	68.4%
Ohio (2)	1986	1973	2,300,000	2,300,000	--	68.2%
Ohio (3)	1993	1986	14,800,000	14,800,000	--	77.5%
Pendleton	1979	--	1,800,000	--	1,800,000	38.8%
Pleasants (1)	1973	1959	1,800,000	1,800,000	--	60.7%
Pleasants (2)	2000	1973	15,000,000	--	15,000,000	28.0%
Pleasants (3)	2010	1973	18,050,000	18,050,000	--	60.0%
Pocahontas (1)	1976	1968	1,818,000	--	1,818,000	35.1%
Pocahontas (2)	1980	1968	3,280,000	--	3,280,000	37.5%
Pocahontas (3)	1980	1968	3,280,000	--	3,280,000	33.8%
Pocahontas (4)	1994	1968	400,000	--	400,000	25.0%
Preston (1)	1973	1947	4,965,000	--	4,965,000	46.6%
Preston (2)	1974	1947	5,320,000	--	5,320,000	57.3%
Preston (3)	1974	1947	5,320,000	--	5,320,000	49.2%
Preston (4)	1976	1947	6,140,000	--	6,140,000	47.1%
Preston (5)	1984	1947	10,735,000	--	10,735,000	35.1%
Preston (6)	1985	1947	11,690,000	--	11,690,000	45.3%
Preston (7)	1986	1947	15,690,000	--	15,690,000	38.5%
Preston (8)	1989	1947	8,850,000	8,850,000	--	55.0%
Preston (9)	2008	1989	49,995,000	--	49,995,000	49.7%
Preston (10)	2010	1989	39,600,000	39,600,000	--	53.0%
Putnam (1)	1974	1967	4,900,000	--	4,900,000	59.1%
Putnam (2)	1974	1967	4,900,000	--	4,900,000	48.0%
Putnam (3)	1976	1967	5,795,000	5,795,000	--	68.3%
Putnam (4)	1993	1976	39,500,000	--	39,500,000	27.1%
Putnam (5)	2001	1976	35,850,000	--	35,850,000	25.2%
Putnam (6)	2002	1976	20,500,000	--	20,500,000	46.5%
Putnam (7)	2009	1976	56,750,000	56,750,000	--	56.0%
Raleigh (1)	1973	1963	7,760,000	7,760,000	--	80.6%
Raleigh (2)	1980	1973	14,825,000	14,825,000	--	63.4%
Raleigh (3)	1991	1980	30,965,000	--	30,965,000	25.1%
Raleigh (4)	1998	1980	14,500,000	14,500,000	--	54.5%
Raleigh (5)	2004	1998	13,000,000	13,000,000	--	76.1%
Randolph (1)	1974	1951	3,580,000	3,580,000	--	64.4%
Randolph (2)	1996	1974	19,365,000	--	19,365,000	35.0%
Randolph (3)	1996	1974	19,365,500	--	19,365,500	36.9%
Ritchie (1)	1973	--	1,972,000	--	1,972,000	47.0%
Ritchie (2)	1979	--	3,326,528	--	3,326,528	35.3%

**COUNTY BOARDS OF EDUCATION
BOND ELECTIONS ATTEMPTED SINCE 1971
PRESENTED IN ALPHABETICAL ORDER**

County	Year of Bond Election	Previous Issue Passed	Amount of Bond Issue Proposed	Amount of Bond Issue Approved	Amount of Bond Issue Defeated	Percent of Voters For Bond
Roane (1)	1976	1946	3,430,000	--	3,430,000	54.1%
Roane (2)	1977	1946	7,386,500	3,710,000	3,676,500	63.7%
Roane (3)	1994	1977	3,700,000	3,700,000	--	64.3%
Summers	1992	--	3,300,000	--	3,300,000	46.7%
Taylor (1)	1974	1968	939,000	--	939,000	25.4%
Taylor (2)	1976	1968	1,515,533	--	1,515,533	43.3%
Taylor (3)	1978	1968	3,000,000	--	3,000,000	45.7%
Taylor (4)	1987	1968	6,700,000	6,700,000	--	61.6%
Taylor (5)	1999	1987	9,700,000	--	9,700,000	37.0%
Taylor (6)	2001	1987	5,120,995	5,120,995	--	77.7%
Taylor (7)	2002	2001	10,990,000	10,990,000	--	57.5%
Tucker (1)	1975	1938	1,285,000	1,285,000	--	60.3%
Tucker (2)	1994	1975	6,385,000	--	6,385,000	33.0%
Tyler (1)	1973	--	1,855,000	1,855,000	--	83.3%
Tyler (2)	1990	1973	6,200,000	6,200,000	--	63.9%
Upshur	1973	1956	3,552,000	3,552,000	--	70.6%
Wayne (1)	1977	--	7,155,000	--	7,155,000	46.5%
Wayne (2)	1985	--	14,300,000	14,300,000	--	53.0%
Wayne (3)	1999	--	32,000,000	--	32,000,000	20.0%
Webster (1)	1972	1953	1,535,000	1,535,000	--	75.9%
Wetzel (1)	1972	--	3,740,000	--	3,740,000	48.9%
Wetzel (2)	1974	--	4,955,000	4,955,000	--	72.5%
Wetzel (3)	1986	1974	8,900,000	8,900,000	--	61.5%
Wirt (1)	1975	1961	935,000	--	935,000	27.6%
Wirt (2)	1991	1961	1,500,000	1,500,000	--	56.0%
Wood (1)	1971	1964	8,995,000	8,995,000	--	61.4%
Wood (2)	1982	1971	18,100,000	--	18,100,000	46.8%
Wood (3)	1984	1971	3,950,000	3,950,000	--	57.8%
Wood (4)	1990	1984	9,995,000	9,995,000	--	56.8%
Wood (5)	1990	1990	12,550,000	--	12,550,000	31.2%
Wood (6)	1991	1990	7,637,000	--	7,637,000	36.3%
Wood (7)	2004	1990	35,000,000	35,000,000	--	67.2%
Wyoming (1)	1975	1959	5,875,000	--	5,875,000	50.5%
Wyoming (2)	1976	1959	7,720,000	--	7,720,000	57.9%
Wyoming (3)	1977	1959	7,720,000	--	7,720,000	55.0%
Wyoming (4)	1992	1959	10,000,000	--	10,000,000	42.0%
Wyoming (5)	1995	1959	14,000,000	--	14,000,000	35.0%
Wyoming (6)	2000	1959	7,000,000	7,000,000	--	61.0%

NOTE: Percent of votes required for approval of bond and excess levies issued by boards of education changed from 60% to 50% of all votes cast by constitutional amendment (Article X, §10) adopted at the General Election on Nov. 2, 1982.

OSF2
06/02/11
Bonds 10

**COUNTY BOARDS OF EDUCATION
BOND ELECTIONS ATTEMPTED SINCE 1971
PRESENTED IN CHRONOLOGICAL ORDER**

County	Year of Bond Election	Previous Issue Passed	Amount of Bond Issue Proposed	Amount of Bond Issue Approved	Amount of Bond Issue Defeated	Percent of Voters For Bond
Wood (1)	1971	1964	8,995,000	8,995,000	--	61.4%
Hardy (1)	1972	--	950,000	950,000	--	65.0%
Morgan (1)	1972	1964	1,835,000	--	1,835,000	54.7%
Morgan (2)	1972	1964	1,595,000	--	1,595,000	54.8%
Webster (1)	1972	1953	1,535,000	1,535,000	--	75.9%
Wetzel (1)	1972	--	3,740,000	--	3,740,000	48.9%
Fayette (1)	1973	1951	7,600,000	7,600,000	--	76.1%
Mineral (1)	1973	1938	3,354,000	3,354,000	--	79.0%
Ohio (1)	1973	1940	14,235,000	14,235,000	--	68.4%
Pleasants (1)	1973	1959	1,800,000	1,800,000	--	60.7%
Preston (1)	1973	1947	4,965,000	--	4,965,000	46.6%
Raleigh (1)	1973	1963	7,760,000	7,760,000	--	80.6%
Ritchie (1)	1973	--	1,972,000	--	1,972,000	47.0%
Tyler (1)	1973	--	1,855,000	1,855,000	--	83.3%
Upshur	1973	1956	3,552,000	3,552,000	--	70.6%
Berkeley (1)	1974	--	3,560,000	3,560,000	--	69.2%
Gilmer (1)	1974	1955	1,825,000	--	1,825,000	33.0%
Gilmer (2)	1974	1955	2,125,000	--	2,125,000	48.0%
Jackson	1974	1959	5,525,000	--	5,525,000	35.0%
Jefferson (1)	1974	--	1,520,000	1,520,000	--	63.3%
Marshall (1)	1974	1965	4,350,000	4,350,000	--	75.2%
McDowell (1)	1974	1964	4,000,000	4,000,000	--	73.0%
Monongalia (1)	1974	1952	7,500,000	--	7,500,000	57.1%
Morgan (3)	1974	1964	1,835,000	1,835,000	--	77.0%
Preston (2)	1974	1947	5,320,000	--	5,320,000	57.3%
Preston (3)	1974	1947	5,320,000	--	5,320,000	49.2%
Putnam (1)	1974	1967	4,900,000	--	4,900,000	59.1%
Putnam (2)	1974	1967	4,900,000	--	4,900,000	48.0%
Randolph (1)	1974	1951	3,580,000	3,580,000	--	64.4%
Taylor (1)	1974	1968	939,000	--	939,000	25.4%
Wetzel (2)	1974	--	4,955,000	4,955,000	--	72.5%
Calhoun (1)	1975	1949	2,100,000	--	2,100,000	32.0%
Calhoun (2)	1975	1949	2,100,000	--	2,100,000	32.5%
Gilmer (3)	1975	1955	2,125,000	--	2,125,000	50.0%
Harrison (1)	1975	--	12,800,000	--	12,800,000	54.1%
Harrison (2)	1975	--	12,800,000	--	12,800,000	47.2%
Marion (1)	1975	--	12,800,000	--	12,800,000	52.5%
Marion (2)	1975	--	12,800,000	--	12,800,000	58.7%
Monroe (1)	1975	1961	1,725,000	--	1,725,000	25.9%
Nicholas (1)	1975	--	4,500,000	4,500,000	--	70.0%
Tucker (1)	1975	1938	1,285,000	1,285,000	--	60.3%
Wirt (1)	1975	1961	935,000	--	935,000	27.6%
Wyoming (1)	1975	1959	5,875,000	--	5,875,000	50.5%
Gilmer (4)	1976	1955	2,459,000	--	2,459,000	53.6%
Gilmer (5)	1976	1955	2,459,000	--	2,459,000	51.6%
Kanawha (1)	1976	1967	39,467,000	--	39,467,000	44.0%
Lincoln (1)	1976	1952	2,966,658	--	2,966,658	42.5%
Lincoln (2)	1976	1952	2,966,658	--	2,966,658	38.5%
Marion (3)	1976	--	13,475,000	--	13,475,000	46.7%
Monongalia (2)	1976	1952	6,995,000	6,995,000	--	66.8%
Pocahontas (1)	1976	1968	1,818,000	--	1,818,000	35.1%
Preston (4)	1976	1947	6,140,000	--	6,140,000	47.1%
Putnam (3)	1976	1967	5,795,000	5,795,000	--	68.3%
Roane (1)	1976	1946	3,430,000	--	3,430,000	54.1%
Taylor (2)	1976	1968	1,515,533	--	1,515,533	43.3%
Wyoming (2)	1976	1959	7,720,000	--	7,720,000	57.9%

**COUNTY BOARDS OF EDUCATION
BOND ELECTIONS ATTEMPTED SINCE 1971
PRESENTED IN CHRONOLOGICAL ORDER**

County	Year of Bond Election	Previous Issue Passed	Amount of Bond Issue Proposed	Amount of Bond Issue Approved	Amount of Bond Issue Defeated	Percent of Voters For Bond
Boone	1977	--	6,745,000	6,745,000	--	81.1%
Braxton (1)	1977	1965	2,200,000	--	2,200,000	26.0%
Brooke (1)	1977	1965	5,565,000	--	5,565,000	32.7%
Doddridge (1)	1977	1940	1,871,358	--	1,871,358	17.2%
Hardy (2)	1977	1972	2,430,000	2,430,000	--	68.1%
Roane (2)	1977	1946	7,386,500	3,710,000	3,676,500	63.7%
Wayne (1)	1977	--	7,155,000	--	7,155,000	46.5%
Wyoming (3)	1977	1959	7,720,000	--	7,720,000	55.0%
Barbour (1)	1978	1969	4,529,000	--	4,529,000	50.6%
Barbour (2)	1978	1969	4,529,000	--	4,529,000	55.0%
Braxton (2)	1978	1965	2,840,000	--	2,840,000	32.4%
Hancock (1)	1978	1961	13,885,000	--	13,885,000	47.6%
Lincoln (3)	1978	1952	3,157,000	3,157,000	--	66.4%
Mingo (1)	1978	1967	4,220,000	--	4,220,000	55.9%
Taylor (3)	1978	1968	3,000,000	--	3,000,000	45.7%
Barbour (3)	1979	1969	4,529,000	4,529,000	--	61.3%
Lewis (1)	1979	--	6,430,000	--	6,430,000	39.4%
Mercer (1)	1979	1954	16,737,000	16,737,000	--	66.2%
Mingo (2)	1979	1967	4,220,000	4,220,000	--	61.6%
Pendleton	1979	--	1,800,000	--	1,800,000	38.8%
Ritchie (2)	1979	--	3,326,528	--	3,326,528	35.3%
Cabell (1)	1980	1938	32,890,000	--	32,890,000	35.6%
Hancock (2)	1980	1961	13,885,000	13,885,000	--	64.6%
Mason (1)	1980	1950	8,307,332	--	8,307,332	51.6%
Mason (2)	1980	1950	9,366,000	--	9,366,000	58.5%
Mason (3)	1980	1950	9,366,000	--	9,366,000	49.5%
Pocahontas (2)	1980	1968	3,280,000	--	3,280,000	37.5%
Pocahontas (3)	1980	1968	3,280,000	--	3,280,000	33.8%
Raleigh (2)	1980	1973	14,825,000	14,825,000	--	63.4%
Brooke (2)	1981	1965	9,865,000	9,865,000	--	63.1%
Greenbrier (1)	1981	1966	10,539,000	--	10,539,000	31.0%
Wood (2)	1982	1971	18,100,000	--	18,100,000	46.8%
Berkeley (2)	1983	1974	12,700,000	--	12,700,000	47.7%
Logan (1)	1983	1969	10,000,000	--	10,000,000	34.0%
Marion (4)	1983	--	29,930,000	--	29,930,000	35.1%
Berkeley (3)	1984	1974	12,000,000	--	12,000,000	49.6%
Mingo (3)	1984	1979	7,850,000	7,850,000	--	70.6%
Preston (5)	1984	1947	10,735,000	--	10,735,000	35.1%
Wood (3)	1984	1971	3,950,000	3,950,000	--	57.8%
Preston (6)	1985	1947	11,690,000	--	11,690,000	45.3%
Wayne (2)	1985	--	14,300,000	14,300,000	--	53.0%
Ohio (2)	1986	1973	2,300,000	2,300,000	--	68.2%
Preston (7)	1986	1947	15,690,000	--	15,690,000	38.5%
Wetzel (3)	1986	1974	8,900,000	8,900,000	--	61.5%
Berkeley (4)	1987	1974	10,960,000	10,960,000	--	66.0%
Monongalia (3)	1987	1976	29,525,000	--	29,525,000	48.0%
Taylor (4)	1987	1968	6,700,000	6,700,000	--	61.6%

**COUNTY BOARDS OF EDUCATION
BOND ELECTIONS ATTEMPTED SINCE 1971
PRESENTED IN CHRONOLOGICAL ORDER**

County	Year of Bond Election	Previous Issue Passed	Amount of Bond Issue Proposed	Amount of Bond Issue Approved	Amount of Bond Issue Defeated	Percent of Voters For Bond
Hampshire (1)	1988	1962	8,680,000	--	8,680,000	49.0%
Harrison (3)	1988	--	39,700,000	--	39,700,000	42.0%
Marion (5)	1988	--	32,100,000	--	32,100,000	45.0%
Nicholas (2)	1988	1975	8,000,000	8,000,000	--	53.0%
Hampshire (2)	1989	1962	8,680,000	--	8,680,000	23.0%
Jefferson (2)	1989	1974	18,000,000	18,000,000	--	74.1%
Kanawha (2)	1989	1967	103,670,000	--	103,670,000	34.1%
Marion (6)	1989	--	12,330,000	12,330,000	--	55.7%
Mason (4)	1989	1950	18,700,000	--	18,700,000	43.0%
Monongalia (4)	1989	1976	32,500,000	32,500,000	--	62.0%
Preston (8)	1989	1947	8,850,000	8,850,000	--	55.0%
Cabell (2)	1990	1938	45,000,000	45,000,000	--	57.2%
Calhoun (3)	1990	1949	5,375,000	--	5,375,000	40.1%
Calhoun (4)	1990	1949	5,375,000	--	5,375,000	37.1%
Mason (5)	1990	1950	16,300,000	--	16,300,000	32.0%
Mineral (2)	1990	1973	15,300,000	--	15,300,000	36.0%
Mingo (4)	1990	1984	13,000,000	--	13,000,000	33.0%
Mingo (5)	1990	1984	10,970,000	--	10,970,000	38.0%
Tyler (2)	1990	1973	6,200,000	6,200,000	--	63.9%
Wood (4)	1990	1984	9,995,000	9,995,000	--	56.8%
Wood (5)	1990	1990	12,550,000	--	12,550,000	31.2%
Greenbrier (2)	1991	1966	20,200,000	--	20,200,000	26.0%
Harrison (4)	1991	--	37,925,000	37,925,000	--	51.0%
Lincoln (4)	1991	1978	6,375,000	--	6,375,000	38.1%
Logan (2)	1991	1969	23,205,000	--	23,205,000	27.0%
Mason (6)	1991	1950	16,300,000	--	16,300,000	42.0%
Mineral (3)	1991	1973	7,500,000	--	7,500,000	48.0%
Raleigh (3)	1991	1980	30,965,000	--	30,965,000	25.1%
Wirt (2)	1991	1961	1,500,000	1,500,000	--	56.0%
Wood (6)	1991	1990	7,637,000	--	7,637,000	36.3%
Hardy (3)	1992	1977	8,000,000	--	8,000,000	32.0%
Kanawha (3)	1992	1967	73,705,000	--	73,705,000	49.3%
Summers	1992	--	3,300,000	--	3,300,000	46.7%
Wyoming (4)	1992	1959	10,000,000	--	10,000,000	42.0%
Berkeley (5)	1993	1987	42,200,000	--	42,200,000	35.7%
Mingo (6)	1993	1984	27,000,000	--	27,000,000	29.8%
Monroe (2)	1993	1961	3,177,915	--	3,177,915	39.3%
Morgan (4)	1993	1974	7,500,000	--	7,500,000	32.4%
Ohio (3)	1993	1986	14,800,000	14,800,000	--	77.5%
Putnam (4)	1993	1976	39,500,000	--	39,500,000	27.1%
Hardy (4)	1994	1977	3,700,000	3,700,000	--	61.5%
Pocahontas (4)	1994	1968	400,000	--	400,000	25.0%
Roane (3)	1994	1977	3,700,000	3,700,000	--	64.3%
Tucker (2)	1994	1975	6,385,000	--	6,385,000	33.0%
Berkeley (6)	1995	1987	15,950,000	15,950,000	--	56.4%
Kanawha (4)	1995	1967	12,670,000	12,670,000	--	68.3%
Marshall (2)	1995	1974	37,790,000	--	37,790,000	26.7%
Wyoming (5)	1995	1959	14,000,000	--	14,000,000	35.0%
Calhoun (5)	1996	1949	3,370,000	3,370,000	--	50.7%
Greenbrier (3)	1996	1966	8,000,000	8,000,000	--	60.6%
Hancock (3)	1996	1980	12,800,000	--	12,800,000	35.0%
Marion (7)	1996	1989	3,250,000	3,250,000	--	59.3%
Marshall (3)	1996	1974	19,870,000	--	19,870,000	36.8%
McDowell (2)	1996	1974	21,865,000	--	21,865,000	16.0%

**COUNTY BOARDS OF EDUCATION
BOND ELECTIONS ATTEMPTED SINCE 1971
PRESENTED IN CHRONOLOGICAL ORDER**

County	Year of Bond Election	Previous Issue Passed	Amount of Bond Issue Proposed	Amount of Bond Issue Approved	Amount of Bond Issue Defeated	Percent of Voters For Bond
Randolph (2)	1996	1974	19,365,000	--	19,365,000	35.0%
Randolph (3)	1996	1974	19,365,500	--	19,365,500	36.9%
Braxton (3)	1997	1965	11,660,000	--	11,660,000	20.7%
Hampshire (3)	1997	1962	11,060,000	--	11,060,000	43.8%
Hancock (4)	1997	1980	12,500,000	--	12,500,000	27.9%
Kanawha (5)	1997	1995	98,165,000	--	98,165,000	36.9%
Barbour (4)	1998	1979	8,000,000	--	8,000,000	45.8%
Grant (1)	1998	1996	3,500,000	--	3,500,000	49.4%
Hampshire (4)	1998	1962	3,740,000	3,740,000	--	55.1%
Monroe (3)	1998	1961	2,995,000	--	2,995,000	44.0%
Raleigh (4)	1998	1980	14,500,000	14,500,000	--	54.5%
Monroe (4)	1999	1961	2,100,000	2,100,000	--	53.9%
Taylor (5)	1999	1987	9,700,000	--	9,700,000	37.0%
Wayne (3)	1999	--	32,000,000	--	32,000,000	20.0%
Barbour (5)	2000	1979	7,500,000	7,500,000	--	55.4%
Brooke (3)	2000	1981	15,000,000	15,000,000	--	57.7%
Jefferson (3)	2000	1989	39,000,000	--	39,000,000	35.0%
Kanawha (6)	2000	1995	27,505,000	27,505,000	--	59.9%
Marion (8)	2000	1996	29,705,000	--	29,705,000	25.0%
Mason (7)	2000	1950	24,610,000	--	24,610,000	29.0%
Monongalia (5)	2000	1989	80,079,000	--	80,079,000	28.0%
Pleasants (2)	2000	1973	15,000,000	--	15,000,000	28.0%
Wyoming (6)	2000	1959	7,000,000	7,000,000	--	61.0%
Berkeley (7)	2001	1995	27,800,000	27,800,000	--	63.3%
Fayette (2)	2001	1973	39,000,000	--	39,000,000	13.8%
Greenbrier (4)	2001	1996	8,000,000	8,000,000	--	69.0%
Marion (9)	2001	1996	12,000,000	--	12,000,000	42.0%
Mercer (2)	2001	1979	21,900,000	--	21,900,000	14.0%
Mineral (4)	2001	1973	14,950,000	--	14,950,000	36.0%
Putnam (5)	2001	1976	35,850,000	--	35,850,000	25.2%
Taylor (6)	2001	1987	5,120,995	5,120,995	--	77.7%
Hardy (5)	2002	1994	11,970,000	--	11,970,000	46.0%
Lewis (2)	2002	--	8,000,000	--	8,000,000	42.0%
Marion (10)	2002	1996	4,500,000	4,500,000	--	53.8%
Putnam (6)	2002	1976	20,500,000	--	20,500,000	46.5%
Taylor (7)	2002	2001	10,990,000	10,990,000	--	57.5%
Braxton (4)	2003	1965	7,200,000	--	7,200,000	42.7%
Doddridge (2)	2003	1940	8,900,000	8,900,000	--	61.5%
Hardy (6)	2003	1994	11,970,000	--	11,970,000	46.0%
Lewis (3)	2003	--	3,980,000	--	3,980,000	36.7%
Logan (3)	2003	1969	6,500,000	--	6,500,000	48.0%
Monongalia (6)	2003	1989	50,000,000	50,000,000	--	73.2%
Jefferson (4)	2004	1989	19,000,000	19,000,000	--	71.2%
Mason (8)	2004	1950	12,000,000	12,000,000	--	55.0%
Mineral (5)	2004	1973	15,800,000	--	15,800,000	42.0%
Raleigh (5)	2004	1998	13,000,000	13,000,000	--	76.1%
Wood (7)	2004	1990	35,000,000	35,000,000	--	67.2%
Greenbrier (5)	2005	2001	12,500,000	--	12,500,000	25.8%
Hancock (5)	2005	1980	34,000,000	--	34,000,000	28.0%

**COUNTY BOARDS OF EDUCATION
BOND ELECTIONS ATTEMPTED SINCE 1971
PRESENTED IN CHRONOLOGICAL ORDER**

County	Year of Bond Election	Previous Issue Passed	Amount of Bond Issue Proposed	Amount of Bond Issue Approved	Amount of Bond Issue Defeated	Percent of Voters For Bond
Cabell (3)	2006	1990	60,455,000	60,455,000	--	55.4%
Jackson (2)	2006	1959	39,380,000	--	39,380,000	25.1%
Marshall (4)	2006	1974	27,900,000	27,900,000	--	51.0%
Harrison (5)	2007	1991	42,465,000	--	42,465,000	39.2%
Braxton (5)	2008	1965	16,100,000	16,100,000		52.0%
Grant (2)	2008	1996	2,495,500	--	2,495,500	42.0%
Greenbrier (6)	2008	2001	37,745,000	37,745,000		50.8%
Marion (11)	2008	2002	40,200,000	--	40,200,000	48.0%
Mineral (6)	2008	1973	15,800,000	--	15,800,000	47.9%
Mineral (7)	2008	1973	15,800,000	--	15,800,000	41.6%
Preston (9)	2008	1989	49,995,000	--	49,995,000	49.7%
Berkeley (8)	2009	2001	51,500,000	51,500,000	--	63.6%
Fayette (3)	2009	1973	49,000,000	--	49,000,000	22.6%
Putnam (7)	2009	1976	56,750,000	56,750,000	--	56.0%
Gilmer (6)	2010	1955	11,915,000	--	11,915,000	37.3%
Hancock (6)	2010	1980	37,000,000	37,000,000	--	51.0%
Marion (12)	2010	2002	15,760,000	15,760,000	--	53.7%
Pleasants (3)	2010	1973	18,050,000	18,050,000	--	60.0%
Preston (10)	2010	1989	39,600,000	39,600,000	--	53.0%

NOTE: Percent of votes required for approval of bond and excess levies issued by boards of education changed from 60% to 50% of all votes cast by constitutional amendment (Article X, §10) adopted at the General Election on Nov. 2, 1982.

OSF2
06/02/11
Bonds 10

**COUNTY BOARDS OF EDUCATION
BONDING POTENTIAL
2010-11 YEAR**

County	Taxable Assessed Valuation	Bonding Potential at 5%	Bonds Outstanding June 30, 2010	Unused Potential Remaining
Barbour	\$ 424,302,798	\$ 21,215,140	-	\$ 21,215,140
Berkeley	5,080,508,667	254,025,433	67,045,000	186,980,433
Boone	1,560,192,177	78,009,609	-	78,009,609
Braxton	478,517,071	23,925,854	15,615,000	8,310,854
Brooke	752,238,452	37,611,923	7,395,000	30,216,923
Cabell	3,121,119,215	156,055,961	48,135,000	107,920,961
Calhoun	235,716,244	11,785,812	670,000	11,115,812
Clay	298,838,867	14,941,943	-	14,941,943
Doddridge	457,530,911	22,876,546	6,065,000	16,811,546
Fayette	1,259,382,756	62,969,138	-	62,969,138
Gilmer	364,265,623	18,213,281	-	18,213,281
Grant	817,659,294	40,882,965	-	40,882,965
Greenbrier	1,536,139,882	76,806,994	40,705,000	36,101,994
Hampshire	1,386,738,048	69,336,902	-	69,336,902
Hancock	950,600,249	47,530,012	-	47,530,012
Hardy	868,340,922	43,417,046	-	43,417,046
Harrison	3,085,660,218	154,283,011	-	154,283,011
Jackson	1,127,128,813	56,356,441	-	56,356,441
Jefferson	3,387,344,019	169,367,201	14,065,000	155,302,201
Kanawha	8,569,504,972	428,475,249	-	428,475,249
Lewis	968,592,182	48,429,609	-	48,429,609
Lincoln	542,711,403	27,135,570	-	27,135,570
Logan	1,493,348,455	74,667,423	-	74,667,423
Marion	2,128,094,661	106,404,733	-	106,404,733
Marshall	1,785,195,559	89,259,778	23,560,000	65,699,778
Mason	1,051,226,036	52,561,302	6,650,000	45,911,302
McDowell	986,699,262	49,334,963	-	49,334,963
Mercer	1,538,219,952	76,910,998	-	76,910,998
Mineral	948,399,177	47,419,959	-	47,419,959
Mingo	1,141,484,251	57,074,213	-	57,074,213
Monongalia	4,091,116,419	204,555,821	45,040,000	159,515,821
Monroe	350,692,323	17,534,616	720,000	16,814,616
Morgan	1,070,883,869	53,544,193	-	53,544,193
Nicholas	900,056,146	45,002,807	-	45,002,807
Ohio	1,645,633,383	82,281,669	7,945,000	74,336,669
Pendleton	393,020,524	19,651,026	-	19,651,026
Pleasants	575,182,359	28,759,118	-	28,759,118
Pocahontas	695,705,411	34,785,271	-	34,785,271
Preston	1,095,600,435	54,780,022	-	54,780,022
Putnam	2,666,397,026	133,319,851	56,750,000	76,569,851
Raleigh	2,825,665,942	141,283,297	-	141,283,297
Randolph	997,332,313	49,866,616	-	49,866,616
Ritchie	501,401,579	25,070,079	-	25,070,079
Roane	429,095,389	21,454,769	-	21,454,769
Summers	377,374,607	18,868,730	-	18,868,730
Taylor	565,478,887	28,273,944	7,485,000	20,788,944
Tucker	515,637,727	25,781,886	-	25,781,886
Tyler	376,811,332	18,840,567	-	18,840,567
Upshur	999,735,314	49,986,766	-	49,986,766
Wayne	1,138,257,957	56,912,898	-	56,912,898
Webster	300,325,241	15,016,262	-	15,016,262
Wetzel	641,463,406	32,073,170	-	32,073,170
Wirt	127,535,164	6,376,758	-	6,376,758
Wood	3,098,255,943	154,912,797	26,110,000	128,802,797
Wyoming	959,977,228	47,998,861	3,180,000	44,818,861
Total	\$ 75,684,336,060	\$ 3,784,216,803	\$ 377,135,000	\$ 3,407,081,803

OSF3
06/02/11
Bonding Potential 11

**FINAL COMPUTATIONS - (HB 4588 WITH 60% PHASE-IN)
PUBLIC SCHOOL SUPPORT PROGRAM
FOR THE 2010-11 YEAR**

County	Step 1a Basic Allowance Professional Educators (WVC 18-9A-4)	Step 1b Salary Increment For Principals & Assistant Principals (WVC 18-9A-4)	Step 1 Basic Allowance Professional Educators (WVC 18-9A-4)	Step 1 Equity Allowance Professional Educators (WVC 18-9A-4)	Step 1 Total Allowance Professional Educators (WVC 18-9A-4)
Barbour	7,231,471	34,596	7,266,067	696,862	7,962,929
Berkeley	47,559,853	191,678	47,751,531	1,868,152	49,619,683
Boone	13,361,049	71,454	13,432,503	359,772	13,792,275
Braxton	6,703,602	40,109	6,743,711	646,749	7,390,460
Brooke	10,535,329	44,861	10,580,190	387,148	10,967,338
Cabell	35,771,209	135,081	35,906,290	1,812,522	37,718,812
Calhoun	3,460,677	19,924	3,480,601	319,761	3,800,362
Clay	5,913,774	24,713	5,938,487	517,037	6,455,524
Doddridge	3,538,879	16,741	3,555,620	205,980	3,761,600
Fayette	19,327,499	105,699	19,433,198	1,046,137	20,479,335
Gilmer	2,773,281	20,986	2,794,267	260,143	3,054,410
Grant	5,682,634	24,949	5,707,583	541,360	6,248,943
Greenbrier	15,608,521	61,956	15,670,477	1,109,908	16,780,385
Hampshire	10,026,513	41,771	10,068,284	952,761	11,021,045
Hancock	12,780,195	56,217	12,836,412	48,166	12,884,578
Hardy	6,510,695	24,127	6,534,822	624,990	7,159,812
Harrison	33,687,868	133,428	33,821,296	1,277,047	35,098,343
Jackson	14,985,655	70,227	15,055,882	558,180	15,614,062
Jefferson	22,560,940	88,420	22,649,360	966,405	23,615,765
Kanawha	81,280,093	385,137	81,665,230	1,955,077	83,620,307
Lewis	7,778,654	33,050	7,811,704	599,498	8,411,202
Lincoln	10,652,249	49,598	10,701,847	807,081	11,508,928
Logan	17,981,436	99,530	18,080,966	1,064,018	19,144,984
Marion	23,681,074	110,735	23,791,809	802,492	24,594,301
Marshall	14,731,790	56,626	14,788,416	848	14,789,264
Mason	12,355,368	57,110	12,412,478	551,061	12,963,539
McDowell	10,791,851	62,648	10,854,499	680,096	11,534,595
Mercer	27,251,504	117,491	27,368,995	1,598,377	28,967,372
Mineral	13,254,746	65,628	13,320,374	802,611	14,122,985
Mingo	12,802,534	77,896	12,880,430	772,677	13,653,107
Monongalia	30,240,916	110,421	30,351,337	1,261,318	31,612,655
Monroe	5,327,842	20,151	5,347,993	505,004	5,852,997
Morgan	6,716,745	37,348	6,754,093	305,122	7,059,215
Nicholas	12,028,519	55,056	12,083,575	861,208	12,944,783
Ohio	15,474,014	63,365	15,537,379	151,076	15,688,455
Pendleton	3,629,364	15,439	3,644,803	348,956	3,993,759
Pleasants	4,110,124	25,704	4,135,828	28,359	4,164,187
Pocahontas	3,783,365	17,461	3,800,826	361,726	4,162,552
Preston	13,539,508	55,551	13,595,059	1,300,888	14,895,947
Putnam	27,973,544	106,510	28,080,054	221,664	28,301,718
Raleigh	34,874,440	146,358	35,020,798	1,635,406	36,656,204
Randolph	13,222,648	62,388	13,285,036	1,278,241	14,563,277
Ritchie	4,624,005	27,367	4,651,372	449,042	5,100,414
Roane	7,155,823	28,925	7,184,748	662,285	7,847,033
Summers	4,435,608	19,903	4,455,511	426,984	4,882,495
Taylor	7,289,308	28,413	7,317,721	583,627	7,901,348
Tucker	3,461,482	15,061	3,476,543	330,970	3,807,513
Tyler	4,365,344	18,265	4,383,609	278,140	4,661,749
Upshur	11,626,190	51,445	11,677,635	1,118,001	12,795,636
Wayne	21,174,034	98,776	21,272,810	1,277,923	22,550,733
Webster	4,366,749	20,767	4,387,516	416,351	4,803,867
Wetzel	8,701,978	40,742	8,742,720	471,457	9,214,177
Wirt	2,787,147	12,145	2,799,292	168,511	2,967,803
Wood	39,129,582	155,977	39,285,559	1,492,085	40,777,644
Wyoming	12,616,485	64,279	12,680,764	758,271	13,439,035
State	813,235,707	3,620,203	816,855,910	40,525,531	857,381,441

**FINAL COMPUTATIONS - (HB 4588 WITH 60% PHASE-IN)
PUBLIC SCHOOL SUPPORT PROGRAM
FOR THE 2010-11 YEAR**

County	Reduction in Step 1 Allowance Due to Reduction in Amount Appropriated	Step 1 Allowance Professional Educators After Reduction in Appropriation	Step 2 Basic Allowance Service Personnel (WVC 18-9A-5)	Step 2 Equity Allowance Service Personnel (WVC 18-9A-5)	Step 2 Total Allowance Service Personnel (WVC 18-9A-5)
Barbour	(815,280)	7,147,649	2,462,560	128,137	2,590,697
Berkeley	(5,080,285)	44,539,398	15,877,450	289,590	16,167,040
Boone	(1,412,115)	12,380,160	4,544,976	68,507	4,613,483
Braxton	(756,668)	6,633,792	2,175,635	116,725	2,292,360
Brooke	(1,122,885)	9,844,453	3,324,009	134,707	3,458,716
Cabell	(3,861,821)	33,856,991	12,156,310	358,532	12,514,842
Calhoun	(389,098)	3,411,264	1,194,752	57,234	1,251,986
Clay	(660,945)	5,794,579	1,968,177	106,102	2,074,279
Doddridge	(385,129)	3,376,471	1,188,775	14,392	1,203,167
Fayette	(2,096,766)	18,382,569	6,450,973	74,781	6,525,754
Gilmer	(312,724)	2,741,686	1,018,351	53,752	1,072,103
Grant	(639,795)	5,609,148	1,985,372	103,149	2,088,521
Greenbrier	(1,718,051)	15,062,334	5,125,290	172,985	5,298,275
Hampshire	(1,128,384)	9,892,661	3,486,417	186,891	3,673,308
Hancock	(1,319,181)	11,565,397	4,226,951	3,176	4,230,127
Hardy	(733,054)	6,426,758	2,146,018	116,215	2,262,233
Harrison	(3,593,525)	31,504,818	10,851,561	-	10,851,561
Jackson	(1,598,638)	14,015,424	5,149,923	95,533	5,245,456
Jefferson	(2,417,888)	21,197,877	7,659,719	335,280	7,994,999
Kanawha	(8,561,421)	75,058,886	26,628,030	910,438	27,538,468
Lewis	(861,176)	7,550,026	2,536,937	88,359	2,625,296
Lincoln	(1,178,336)	10,330,592	3,621,510	147,286	3,768,796
Logan	(1,960,149)	17,184,835	6,179,859	290,182	6,470,041
Marion	(2,518,075)	22,076,226	7,659,379	-	7,659,379
Marshall	(1,514,191)	13,275,073	4,499,202	7,160	4,506,362
Mason	(1,327,265)	11,636,274	4,214,247	139,860	4,354,107
McDowell	(1,180,963)	10,353,632	3,796,603	49,764	3,846,367
Mercer	(2,965,809)	26,001,563	9,180,255	230,607	9,410,862
Mineral	(1,445,974)	12,677,011	4,352,763	204,331	4,557,094
Mingo	(1,397,866)	12,255,241	4,421,378	174,159	4,595,537
Monongalia	(3,236,645)	28,376,010	9,984,746	328,134	10,312,880
Monroe	(599,256)	5,253,741	1,829,905	100,485	1,930,390
Morgan	(722,754)	6,336,461	2,493,800	74,876	2,568,676
Nicholas	(1,325,345)	11,619,438	3,908,221	182,536	4,090,757
Ohio	(1,606,254)	14,082,201	5,109,848	99,435	5,209,283
Pendleton	(408,899)	3,584,860	1,274,534	64,420	1,338,954
Pleasants	(426,348)	3,737,839	1,313,148	-	1,313,148
Pocahontas	(426,181)	3,736,371	1,405,966	69,135	1,475,101
Preston	(1,525,114)	13,370,833	4,550,552	239,804	4,790,356
Putnam	(2,897,656)	25,404,062	8,913,091	-	8,913,091
Raleigh	(3,753,026)	32,903,178	11,639,975	214,808	11,854,783
Randolph	(1,491,053)	13,072,224	4,199,247	227,963	4,427,210
Ritchie	(522,203)	4,578,211	1,564,901	84,030	1,648,931
Roane	(803,414)	7,043,619	2,423,977	132,012	2,555,989
Summers	(499,892)	4,382,603	1,520,975	80,116	1,601,091
Taylor	(808,975)	7,092,373	2,366,645	103,280	2,469,925
Tucker	(389,830)	3,417,683	1,207,317	62,067	1,269,384
Tyler	(477,291)	4,184,458	1,417,415	43,261	1,460,676
Upshur	(1,310,074)	11,485,562	3,725,247	199,227	3,924,474
Wayne	(2,308,845)	20,241,888	7,032,042	184,129	7,216,171
Webster	(491,841)	4,312,026	1,557,935	81,160	1,639,095
Wetzel	(943,389)	8,270,788	2,809,914	100,568	2,910,482
Wirt	(303,857)	2,663,946	1,020,540	7,084	1,027,624
Wood	(4,174,998)	36,602,646	13,031,618	521,402	13,553,020
Wyoming	(1,375,950)	12,063,085	4,087,673	179,771	4,267,444
State	(87,782,547)	769,598,894	270,472,614	8,037,537	278,510,151

**FINAL COMPUTATIONS - (HB 4588 WITH 60% PHASE-IN)
PUBLIC SCHOOL SUPPORT PROGRAM
FOR THE 2010-11 YEAR**

County	Step 3 Allowance for Fixed Charges 8.76% (WVC 18-9A-6)	Step 4 Allowance for Transportation Excluding Allowance For Buses (WVC 18-9A-7)	Step 4 Allowance for Bus Replacement (WVC 18-9A-7)	Step 4 Allowance for Additional Buses (WVC 18-9A-7)	Step 4 Total Allowance for Transportation (WVC 18-9A-7)
Barbour	942,850	528,275	216,628	-	744,903
Berkeley	5,889,646	3,350,137	1,144,854	331,280	4,826,271
Boone	1,633,637	754,451	350,663	81,000	1,186,114
Braxton	860,383	422,896	227,226	-	650,122
Brooke	1,263,722	637,052	215,014	-	852,066
Cabell	4,476,369	1,590,127	742,819	96,500	2,429,446
Calhoun	450,343	320,559	123,734	-	444,293
Clay	755,586	691,517	241,460	78,900	1,011,877
Doddridge	441,609	328,668	143,983	-	472,651
Fayette	2,413,047	1,190,932	541,914	-	1,732,846
Gilmer	369,618	142,837	100,834	-	243,671
Grant	742,051	275,483	167,412	-	442,895
Greenbrier	1,980,927	778,379	486,512	165,800	1,430,691
Hampshire	1,313,504	752,553	391,039	-	1,143,592
Hancock	1,523,514	759,551	269,484	-	1,029,035
Hardy	841,087	352,813	205,559	-	558,372
Harrison	4,099,636	1,181,687	696,045	83,600	1,961,332
Jackson	1,866,373	657,615	392,137	-	1,049,752
Jefferson	2,822,688	1,285,534	594,380	180,100	2,060,014
Kanawha	10,003,880	3,460,613	1,336,143	-	4,796,756
Lewis	984,153	477,619	248,768	-	726,387
Lincoln	1,356,206	942,328	335,868	89,550	1,367,746
Logan	2,276,730	1,140,227	480,163	-	1,620,390
Marion	2,876,882	1,341,369	547,157	-	1,888,526
Marshall	1,728,132	738,703	461,501	-	1,200,204
Mason	1,538,467	714,054	403,230	82,200	1,199,484
McDowell	1,377,352	836,338	388,806	-	1,225,144
Mercer	3,420,475	1,098,383	552,933	86,607	1,737,923
Mineral	1,673,866	1,101,725	419,896	-	1,521,621
Mingo	1,622,419	804,908	384,985	-	1,189,893
Monongalia	3,742,032	1,805,415	677,821	231,541	2,714,777
Monroe	693,774	336,167	244,942	-	581,109
Morgan	857,016	467,511	213,831	-	681,342
Nicholas	1,517,866	835,770	454,719	-	1,290,489
Ohio	1,865,788	750,472	284,728	-	1,035,200
Pendleton	473,980	296,225	135,445	-	431,670
Pleasants	489,455	256,121	113,510	-	369,631
Pocahontas	504,590	295,026	138,377	83,600	517,003
Preston	1,751,556	818,987	478,081	167,200	1,464,268
Putnam	3,323,851	1,432,835	578,060	276,600	2,287,495
Raleigh	4,347,698	2,240,071	861,889	82,300	3,184,260
Randolph	1,700,442	737,873	359,084	-	1,096,957
Ritchie	597,971	483,296	150,303	83,600	717,199
Roane	923,622	484,143	310,497	83,600	878,240
Summers	583,303	252,203	171,409	83,700	507,312
Taylor	925,316	323,497	222,939	83,600	630,036
Tucker	451,700	293,619	97,744	-	391,363
Tyler	546,580	329,585	183,936	-	513,521
Upshur	1,491,858	656,255	345,055	-	1,001,310
Wayne	2,643,641	1,736,672	613,812	-	2,350,484
Webster	574,648	329,508	137,728	83,600	550,836
Wetzel	1,078,887	625,678	215,903	-	841,581
Wirt	358,440	159,133	96,106	96,500	351,739
Wood	4,854,943	1,809,545	632,091	92,214	2,533,850
Wyoming	1,568,455	772,871	310,105	92,214	1,175,190
State	101,412,564	47,185,811	20,839,262	2,815,806	70,840,879

**FINAL COMPUTATIONS - (HB 4588 WITH 60% PHASE-IN)
PUBLIC SCHOOL SUPPORT PROGRAM
FOR THE 2010-11 YEAR**

County	Step 5 Basic Allowance for Professional Student Support Personnel (WVC 18-9A-8)	Step 5 Equity Allowance for Professional Student Support Personnel (WVC 18-9A-8)	Step 5 Total Allowance for Professional Student Support Personnel (WVC 18-9A-8)
Barbour	216,128	15,668	231,796
Berkeley	1,408,258	60,712	1,468,970
Boone	260,944	4,418	265,362
Braxton	151,915	9,276	161,191
Brooke	55,720	-	55,720
Cabell	850,226	38,510	888,736
Calhoun	106,049	4,782	110,831
Clay	113,053	4,839	117,892
Doddridge	96,847	1,871	98,718
Fayette	535,214	28,181	563,395
Gilmer	109,844	5,320	115,164
Grant	147,051	8,676	155,727
Greenbrier	523,126	33,828	556,954
Hampshire	298,899	23,378	322,277
Hancock	299,032	266	299,298
Hardy	189,137	12,557	201,694
Harrison	841,227	30,656	871,883
Jackson	453,432	14,969	468,401
Jefferson	609,183	24,812	633,995
Kanawha	2,987,965	75,092	3,063,057
Lewis	208,698	11,715	220,413
Lincoln	214,865	11,502	226,367
Logan	381,145	16,183	397,328
Marion	593,012	16,712	609,724
Marshall	454,157	45	454,202
Mason	259,298	7,752	267,050
McDowell	346,430	18,089	364,519
Mercer	657,265	33,300	690,565
Mineral	426,221	24,050	450,271
Mingo	281,562	12,840	294,402
Monongalia	782,446	31,571	814,017
Monroe	149,845	8,847	158,692
Morgan	173,021	4,663	177,684
Nicholas	297,016	16,963	313,979
Ohio	420,945	2,548	423,493
Pendleton	96,260	4,038	100,298
Pleasants	132,162	179	132,341
Pocahontas	136,995	7,803	144,798
Preston	306,523	24,396	330,919
Putnam	746,244	4,740	750,984
Raleigh	1,086,117	56,441	1,142,558
Randolph	408,523	34,722	443,245
Ritchie	95,254	3,843	99,097
Roane	154,317	8,582	162,899
Summers	184,794	12,616	197,410
Taylor	202,462	11,514	213,976
Tucker	97,804	3,975	101,779
Tyler	134,701	4,655	139,356
Upshur	308,271	24,249	332,520
Wayne	413,503	20,429	433,932
Webster	132,303	6,939	139,242
Wetzel	205,588	8,102	213,690
Wirt	114,715	3,926	118,641
Wood	1,072,931	40,416	1,113,347
Wyoming	212,120	8,457	220,577
State	22,140,763	904,613	23,045,376

**FINAL COMPUTATIONS - (HB 4588 WITH 60% PHASE-IN)
PUBLIC SCHOOL SUPPORT PROGRAM
FOR THE 2010-11 YEAR**

County	Step 6a	Step 6b	Step 6c	Step 6d	Step 6
	Allowance for Other Current Expense (WVC 18-9A-9(1))	Allowance for Prof. Personnel Substitute Costs (WVC 18-9A-9(2))	Allowance for Service Personnel Substitute Costs (WVC 18-9A-9(3))	Allowance for Faculty Senates (WVC 18-9A-9(4))	Total Allowance Current Expense, Substitute Costs, & Faculty Senates (WVC 18-9A-9)
Barbour	1,033,115	192,903	62,096	33,776	1,321,890
Berkeley	7,117,215	1,364,066	425,948	254,300	9,161,529
Boone	1,924,455	366,760	117,471	75,320	2,484,006
Braxton	929,347	175,472	56,566	32,956	1,194,341
Brooke	1,383,678	268,766	83,401	51,920	1,787,765
Cabell	5,131,214	968,188	307,396	176,920	6,583,718
Calhoun	460,616	96,652	30,378	16,200	603,846
Clay	838,017	158,518	51,417	28,160	1,076,112
Doddridge	484,699	94,473	30,117	19,200	628,489
Fayette	2,773,819	516,400	166,701	95,600	3,552,520
Gilmer	390,446	76,196	25,951	13,860	506,453
Grant	811,110	157,967	49,987	28,700	1,047,764
Greenbrier	2,176,985	420,007	132,971	76,420	2,806,383
Hampshire	1,516,581	282,772	90,569	49,650	1,939,572
Hancock	1,750,271	335,639	105,289	60,800	2,251,999
Hardy	955,629	174,577	56,318	30,606	1,217,130
Harrison	4,622,602	886,805	276,375	159,980	5,945,762
Jackson	2,078,310	401,686	126,763	73,400	2,680,159
Jefferson	3,511,005	647,109	207,015	119,576	4,484,705
Kanawha	11,451,446	2,212,510	687,208	407,860	14,759,024
Lewis	1,087,824	203,835	65,656	38,640	1,395,955
Lincoln	1,488,553	284,533	91,203	53,800	1,918,089
Logan	2,656,655	487,825	157,773	85,706	3,387,959
Marion	3,339,604	627,168	198,823	119,590	4,285,185
Marshall	2,007,511	381,031	119,000	71,800	2,579,342
Mason	1,758,409	336,247	107,508	62,454	2,264,618
McDowell	1,496,900	290,152	92,445	52,500	1,931,997
Mercer	3,915,412	731,674	233,666	133,040	5,013,792
Mineral	1,876,922	352,066	110,054	64,624	2,403,666
Mingo	1,894,030	352,304	114,186	67,790	2,428,310
Monongalia	4,304,449	815,425	256,750	146,650	5,523,274
Monroe	798,128	150,238	48,695	28,754	1,025,815
Morgan	1,099,694	195,360	63,795	36,640	1,395,489
Nicholas	1,685,839	318,986	101,726	59,900	2,166,451
Ohio	2,188,472	411,571	128,337	75,150	2,803,530
Pendleton	452,939	96,315	31,218	17,062	597,534
Pleasants	552,139	109,016	34,109	21,974	717,238
Pocahontas	487,329	104,239	33,503	19,602	644,673
Preston	1,902,535	363,195	116,210	66,316	2,448,256
Putnam	3,879,317	744,810	232,255	132,500	4,988,882
Raleigh	5,033,782	946,998	299,279	170,500	6,450,559
Randolph	1,804,031	344,878	110,471	64,474	2,323,854
Ritchie	667,130	124,616	40,721	23,500	855,967
Roane	1,051,868	193,493	63,384	34,764	1,343,509
Summers	632,999	119,713	38,825	21,800	813,337
Taylor	1,014,975	189,249	60,344	33,100	1,297,668
Tucker	459,883	92,338	30,078	16,304	598,603
Tyler	613,280	115,190	36,781	21,930	787,181
Upshur	1,586,041	307,913	96,546	55,912	2,046,412
Wayne	3,144,884	591,170	186,572	110,820	4,033,446
Webster	637,295	120,722	39,331	20,444	817,792
Wetzel	1,200,034	223,321	71,582	44,200	1,539,137
Wirt	400,076	81,147	26,319	15,080	522,622
Wood	5,573,629	1,046,499	330,198	191,200	7,141,526
Wyoming	1,704,493	328,505	105,460	62,500	2,200,958
State	115,737,621	21,979,208	6,962,740	4,046,224	148,725,793

**FINAL COMPUTATIONS - (HB 4588 WITH 60% PHASE-IN)
PUBLIC SCHOOL SUPPORT PROGRAM
FOR THE 2010-11 YEAR**

County	Step 7a Allowance for Improvement of Instructional Programs (WVC 18-9A-10(1))	Step 7b Allowance for 21st Century Technology Systems (WVC 18-9A-10(2))	Step 7c Allowance For Advanced Placement Programs (WVC 18-9A-10(3))	Step 7 Total Allow for Improvement of Instructional Programs (WVC 18-9A-10)
Barbour	420,216	48,812	1,456	470,484
Berkeley	2,011,584	340,564	11,623	2,363,771
Boone	653,352	91,983	3,412	748,747
Braxton	393,075	43,954	2,070	439,099
Brooke	518,615	66,993	-	585,608
Cabell	1,492,097	246,877	9,713	1,748,687
Calhoun	270,476	21,685	319	292,480
Clay	369,186	40,261	728	410,175
Doddridge	276,776	22,751	614	300,141
Fayette	875,515	132,795	5,300	1,013,610
Gilmer	252,123	18,507	569	271,199
Grant	362,149	38,213	1,547	401,909
Greenbrier	719,401	104,120	3,321	826,842
Hampshire	546,670	70,918	2,297	619,885
Hancock	607,794	84,560	2,980	695,334
Hardy	399,951	45,414	1,570	446,935
Harrison	1,359,067	221,378	8,098	1,588,543
Jackson	693,592	99,284	4,072	796,948
Jefferson	1,068,330	167,170	5,960	1,241,460
Kanawha	3,145,213	551,914	24,020	3,721,147
Lewis	434,525	51,930	1,388	487,843
Lincoln	539,339	71,414	773	611,526
Logan	844,862	126,734	6,073	977,669
Marion	1,023,495	159,691	8,462	1,191,648
Marshall	675,076	94,848	6,824	776,748
Mason	609,924	84,181	4,799	698,904
McDowell	541,521	72,387	1,615	615,523
Mercer	1,174,101	187,662	7,142	1,368,905
Mineral	640,919	87,718	3,799	732,436
Mingo	645,392	90,375	7,529	743,296
Monongalia	1,275,851	206,202	13,625	1,495,678
Monroe	358,759	37,839	592	397,190
Morgan	437,635	51,457	2,047	491,139
Nicholas	590,938	79,655	2,183	672,776
Ohio	722,417	103,071	4,959	830,447
Pendleton	268,468	21,387	1,001	290,856
Pleasants	294,414	25,752	1,115	321,281
Pocahontas	277,464	23,632	1,456	302,552
Preston	647,618	90,996	3,867	742,481
Putnam	1,164,660	186,530	8,712	1,359,902
Raleigh	1,466,622	241,104	10,372	1,718,098
Randolph	621,852	85,841	5,504	713,197
Ritchie	324,493	31,997	2,389	358,879
Roane	425,121	50,358	1,274	476,753
Summers	315,564	30,500	796	346,860
Taylor	415,473	48,278	1,729	465,480
Tucker	270,284	21,599	1,001	292,884
Tyler	310,407	29,043	1,342	340,792
Upshur	564,835	75,460	3,640	643,935
Wayne	972,562	148,705	4,345	1,125,612
Webster	316,688	30,885	1,228	348,801
Wetzel	463,879	56,261	1,865	522,005
Wirt	254,641	19,057	1,388	275,086
Wood	1,607,823	265,190	13,375	1,886,388
Wyoming	595,814	82,578	2,912	681,304
State	38,528,618	5,528,470	230,790	44,287,878

**FINAL COMPUTATIONS - (HB 4588 WITH 60% PHASE-IN)
PUBLIC SCHOOL SUPPORT PROGRAM
FOR THE 2010-11 YEAR**

County	Step 8 Total Basic Program Allowance (WVC 18-9A-12)	Step 9 Local Share (WVC 18-9A-11)	Step 10 Basic State Aid Allowance for County Boards (WVC 18-9A-12)
Barbour	13,450,269	2,217,935	11,232,334
Berkeley	84,416,625	22,121,760	62,294,865
Boone	23,311,509	9,431,475	13,880,034
Braxton	12,231,288	2,569,548	9,661,740
Brooke	17,848,050	4,011,792	13,836,258
Cabell	62,498,789	15,634,079	46,864,710
Calhoun	6,565,043	1,289,563	5,275,480
Clay	11,240,500	1,716,784	9,523,716
Doddridge	6,521,246	2,574,984	3,946,262
Fayette	34,183,741	6,751,853	27,431,888
Gilmer	5,319,894	2,077,602	3,242,292
Grant	10,488,015	4,507,685	5,980,330
Greenbrier	27,962,406	6,661,854	21,300,552
Hampshire	18,904,799	6,271,375	12,633,424
Hancock	21,594,704	4,991,642	16,603,062
Hardy	11,954,209	4,214,377	7,739,832
Harrison	56,823,535	16,279,621	40,543,914
Jackson	26,122,513	5,914,073	20,208,440
Jefferson	40,435,738	14,968,420	25,467,318
Kanawha	138,941,218	44,896,497	94,044,721
Lewis	13,990,073	5,473,207	8,516,866
Lincoln	19,579,322	3,075,898	16,503,424
Logan	32,314,952	8,411,053	23,903,899
Marion	40,587,570	10,864,231	29,723,339
Marshall	24,520,063	10,320,544	14,199,519
Mason	21,958,904	5,636,787	16,322,117
McDowell	19,714,534	6,213,120	13,501,414
Mercer	47,644,085	7,881,355	39,762,730
Mineral	24,015,965	3,845,304	20,170,661
Mingo	23,129,098	6,910,338	16,218,760
Monongalia	52,978,668	19,227,728	33,750,940
Monroe	10,040,711	1,619,210	8,421,501
Morgan	12,507,807	4,586,859	7,920,948
Nicholas	21,671,756	4,812,983	16,858,773
Ohio	26,249,942	6,847,793	19,402,149
Pendleton	6,818,152	1,748,439	5,069,713
Pleasants	7,080,933	3,393,841	3,687,092
Pocahontas	7,325,088	3,704,985	3,620,103
Preston	24,898,669	5,383,255	19,515,414
Putnam	47,028,267	12,230,929	34,797,338
Raleigh	61,601,134	13,494,493	48,106,641
Randolph	23,777,129	5,137,501	18,639,628
Ritchie	8,856,255	2,667,822	6,188,433
Roane	13,384,631	2,164,212	11,220,419
Summers	8,431,916	1,903,655	6,528,261
Taylor	13,094,774	2,742,895	10,351,879
Tucker	6,523,396	2,827,773	3,695,623
Tyler	7,972,564	2,021,385	5,951,179
Upshur	20,926,071	5,236,252	15,689,819
Wayne	38,045,174	6,124,924	31,920,250
Webster	8,382,440	1,768,850	6,613,590
Wetzel	15,376,570	3,532,245	11,844,325
Wirt	5,318,098	598,186	4,719,912
Wood	67,685,720	14,951,496	52,734,224
Wyoming	22,177,013	5,942,397	16,234,616
State	1,436,421,535	382,404,864	1,054,016,671

**FINAL COMPUTATIONS - (HB 4588 WITH 60% PHASE-IN)
PUBLIC SCHOOL SUPPORT PROGRAM
ENROLLMENT INFORMATION
FOR THE 2010-11 YEAR**

County	2009-10 2nd Month Headcount Enrollment	Adjustments Headcount to FTE	FTE Enrollment	Certified Adults	Net Enrollment With Certified Adults	Additional Adjustments/ WVC 18-5-16 & WVC 18-9A-2	Net Enrollment Adjusted For SA Funding
Barbour	2,478	(2.73)	2,475.27	1.25	2,476.52	-	2,476.52
Berkeley	17,446	(214.90)	17,231.10	6.50	17,237.60	-	17,237.60
Boone	4,672	(7.50)	4,664.50	0.50	4,665.00	-	4,665.00
Braxton	2,230	(2.88)	2,227.12	2.50	2,229.62	-	2,229.62
Brooke	3,404	(12.79)	3,391.21	-	3,391.21	-	3,391.21
Cabell	12,552	(36.60)	12,515.40	6.70	12,522.10	-	12,522.10
Calhoun	1,104	(7.00)	1,097.00	2.90	1,099.90	97.30	1,197.20
Clay	2,043	-	2,043.00	-	2,043.00	-	2,043.00
Doddridge	1,169	(19.30)	1,149.70	3.25	1,152.95	86.49	1,239.44
Fayette	6,759	(31.80)	6,727.20	0.55	6,727.75	-	6,727.75
Gilmer	939	(1.20)	937.80	0.85	938.65	213.06	1,151.71
Grant	1,935	(0.05)	1,934.95	4.10	1,939.05	-	1,939.05
Greenbrier	5,285	(2.60)	5,282.40	-	5,282.40	-	5,282.40
Hampshire	3,653	(57.00)	3,596.00	-	3,596.00	-	3,596.00
Hancock	4,311	(28.10)	4,282.90	4.10	4,287.00	-	4,287.00
Hardy	2,307	(7.20)	2,299.80	1.75	2,301.55	-	2,301.55
Harrison	11,196	(11.06)	11,184.94	44.20	11,229.14	-	11,229.14
Jackson	5,040	(5.47)	5,034.53	2.55	5,037.08	-	5,037.08
Jefferson	8,595	(124.93)	8,470.07	1.50	8,471.57	-	8,471.57
Kanawha	28,481	(510.20)	27,970.80	-	27,970.80	-	27,970.80
Lewis	2,650	(17.40)	2,632.60	2.25	2,634.85	-	2,634.85
Lincoln	3,626	(3.60)	3,622.40	-	3,622.40	-	3,622.40
Logan	6,431	(4.80)	6,426.20	2.85	6,429.05	-	6,429.05
Marion	8,116	(40.40)	8,075.60	20.10	8,095.70	(1.00)	8,094.70
Marshall	4,821	(11.33)	4,809.67	-	4,809.67	-	4,809.67
Mason	4,308	(47.00)	4,261.00	5.10	4,266.10	-	4,266.10
McDowell	3,674	(3.84)	3,670.16	1.50	3,671.66	-	3,671.66
Mercer	9,552	(50.65)	9,501.35	14.20	9,515.55	-	9,515.55
Mineral	4,460	(12.94)	4,447.06	2.25	4,449.31	-	4,449.31
Mingo	4,586	-	4,586.00	-	4,586.00	-	4,586.00
Monongalia	10,459	(9.15)	10,449.85	10.50	10,460.35	-	10,460.35
Monroe	1,945	(30.25)	1,914.75	-	1,914.75	-	1,914.75
Morgan	2,655	(49.10)	2,605.90	-	2,605.90	-	2,605.90
Nicholas	4,042	-	4,042.00	-	4,042.00	-	4,042.00
Ohio	5,285	(66.77)	5,218.23	-	5,218.23	-	5,218.23
Pendleton	1,085	(0.50)	1,084.50	0.75	1,085.25	258.52	1,343.77
Pleasants	1,299	-	1,299.00	7.75	1,306.75	12.33	1,319.08
Pocahontas	1,202	(3.88)	1,198.13	-	1,198.13	201.88	1,400.00
Preston	4,628	(13.20)	4,614.80	1.00	4,615.80	-	4,615.80
Putnam	9,517	(75.25)	9,441.75	16.50	9,458.25	-	9,458.25
Raleigh	12,340	(133.70)	12,206.30	14.25	12,220.55	-	12,220.55
Randolph	4,356	(1.25)	4,354.75	1.15	4,355.90	-	4,355.90
Ritchie	1,626	(6.00)	1,620.00	1.25	1,621.25	-	1,621.25
Roane	2,554	(1.20)	2,552.80	2.10	2,554.90	-	2,554.90
Summers	1,548	(0.50)	1,547.50	-	1,547.50	-	1,547.50
Taylor	2,450	(12.00)	2,438.00	9.30	2,447.30	1.00	2,448.30
Tucker	1,096	-	1,096.00	-	1,096.00	149.07	1,245.07
Tyler	1,482	(10.60)	1,471.40	1.25	1,472.65	-	1,472.65
Upshur	3,825	-	3,825.00	4.15	3,829.15	-	3,829.15
Wayne	7,556	(13.70)	7,542.30	-	7,542.30	-	7,542.30
Webster	1,577	(10.30)	1,566.70	-	1,566.70	-	1,566.70
Wetzel	2,864	(13.88)	2,850.13	-	2,850.13	-	2,850.13
Wirt	967	-	967.00	-	967.00	134.39	1,101.39
Wood	13,486	(44.59)	13,441.41	-	13,441.41	-	13,441.41
Wyoming	4,161	(5.70)	4,155.30	34.00	4,189.30	-	4,189.30
State	281,828	(1,776.79)	280,051.21	235.40	280,286.61	1,153.04	281,439.65

**FINAL COMPUTATIONS - (HB 4588 WITH 60% PHASE-IN)
PUBLIC SCHOOL SUPPORT PROGRAM
PROFESSIONAL EDUCATORS DATA
FOR THE 2010-11 YEAR**

County	Computed State Aid Eligible PE Employed	Student Population Density	Computed No. PE Employed In Excess Of Limits	Computed Number PE Funded/Limits (Not Limited To Employed)	Proration Multi-County Vocational Centers	Computed No. Prof. Educators Chargeable
Barbour	179.78	Low	(0.77)	179.01	1.45	180.46
Berkeley	1,312.40	High	(49.01)	1,263.39	(10.24)	1,253.15
Boone	394.64	Low	(52.32)	342.32	-	342.32
Braxton	176.27	Sparse	(12.49)	163.78	-	163.78
Brooke	279.60	High	(24.05)	255.55	-	255.55
Cabell	915.61	High	(15.75)	899.86	-	899.86
Calhoun	87.48	Sparse	2.46	89.94	(6.91)	83.03
Clay	150.40	Low	(2.06)	148.34	-	148.34
Doddridge	101.50	Sparse	(13.78)	87.72	2.03	89.75
Fayette	504.00	Medium	(24.75)	479.25	-	479.25
Gilmer	75.50	Sparse	(4.91)	70.59	6.91	77.50
Grant	148.55	Sparse	(1.49)	147.06	(4.69)	142.37
Greenbrier	395.74	Low	(8.25)	387.49	-	387.49
Hampshire	257.51	Low	4.56	262.07	-	262.07
Hancock	328.46	High	(15.62)	312.84	-	312.84
Hardy	158.46	Sparse	3.10	161.56	3.17	164.73
Harrison	832.85	High	(9.30)	823.55	(3.05)	820.50
Jackson	384.70	Medium	(13.35)	371.35	(5.24)	366.11
Jefferson	637.28	High	(37.10)	600.18	6.12	606.30
Kanawha	2,107.57	High	(73.31)	2,034.26	-	2,034.26
Lewis	202.30	Low	(13.00)	189.30	3.97	193.27
Lincoln	283.75	Low	(17.98)	265.77	-	265.77
Logan	458.48	Medium	(4.82)	453.66	-	453.66
Marion	626.30	High	(44.18)	582.12	-	582.12
Marshall	371.44	Medium	(19.46)	351.98	-	351.98
Mason	328.09	Low	(14.80)	313.29	-	313.29
McDowell	274.60	Low	(6.74)	267.86	-	267.86
Mercer	692.08	High	(12.55)	679.53	-	679.53
Mineral	338.35	Medium	(12.83)	325.52	-	325.52
Mingo	359.61	Medium	(31.36)	328.25	-	328.25
Monongalia	762.90	High	(6.11)	756.79	-	756.79
Monroe	150.09	Sparse	(10.64)	139.45	-	139.45
Morgan	203.80	Medium	(22.32)	181.48	4.12	185.60
Nicholas	311.70	Low	(15.26)	296.44	-	296.44
Ohio	393.05	High	(11.02)	382.03	-	382.03
Pendleton	91.81	Sparse	(1.81)	90.00	1.52	91.52
Pleasants	121.47	Low	(20.33)	101.14	(5.16)	95.98
Pocahontas	102.09	Sparse	(5.72)	96.37	-	96.37
Preston	349.68	Low	(11.03)	338.65	-	338.65
Putnam	688.64	High	2.05	690.69	-	690.69
Raleigh	887.10	High	(10.35)	876.75	-	876.75
Randolph	337.27	Sparse	(17.95)	319.32	-	319.32
Ritchie	127.70	Sparse	(10.85)	116.85	2.27	119.12
Roane	180.72	Low	(0.37)	180.35	5.24	185.59
Summers	113.51	Sparse	(3.32)	110.19	-	110.19
Taylor	172.80	Medium	2.79	175.59	1.02	176.61
Tucker	86.10	Sparse	(0.22)	85.88	-	85.88
Tyler	114.40	Low	(7.68)	106.72	1.55	108.27
Upshur	296.56	Medium	(10.74)	285.82	(5.42)	280.40
Wayne	579.90	Medium	(28.06)	551.84	-	551.84
Webster	109.26	Sparse	2.37	111.63	-	111.63
Wetzel	232.60	Low	(24.56)	208.04	1.34	209.38
Wirt	78.36	Sparse	(3.39)	74.97	-	74.97
Wood	993.30	High	(23.32)	969.98	-	969.98
Wyoming	329.00	Low	(21.69)	307.31	-	307.31
State	21,177.11	-	(785.44)	20,391.67	-	20,391.67

**FINAL COMPUTATIONS - (HB 4588 WITH 60% PHASE-IN)
PUBLIC SCHOOL SUPPORT PROGRAM
SERVICE PERSONNEL DATA
FOR THE 2010-11 YEAR**

County	2009-10 State Aid Eligible SP Employed	Student Population Density	Computed No. SP Employed In Excess Of Limits	Computed Number Serv Pers Funded	Proration Multi-County Vocational Centers	Computed No. Service Personnel Chargeable
Barbour	112.865	Low	(1.441)	111.424	0.434	111.858
Berkeley	922.751	High	(158.438)	764.313	(3.407)	760.906
Boone	240.905	Low	(30.116)	210.789	-	210.789
Braxton	122.346	Sparse	(20.846)	101.500	-	101.500
Brooke	180.312	High	(30.638)	149.674	-	149.674
Cabell	566.832	High	(15.245)	551.587	-	551.587
Calhoun	57.000	Sparse	(2.491)	54.509	(2.025)	52.484
Clay	112.605	Low	(20.343)	92.262	-	92.262
Doddridge	72.022	Sparse	(17.981)	54.041	0.872	54.913
Fayette	352.641	Medium	(53.516)	299.125	-	299.125
Gilmer	48.338	Sparse	(1.773)	46.565	2.025	48.590
Grant	91.600	Sparse	(1.905)	89.695	(1.452)	88.243
Greenbrier	271.033	Low	(32.433)	238.600	-	238.600
Hampshire	179.293	Low	(16.779)	162.514	-	162.514
Hancock	201.130	High	(12.201)	188.929	-	188.929
Hardy	96.065	Sparse	4.991	101.056	0.981	102.037
Harrison	510.935	High	(15.013)	495.922	(1.308)	494.614
Jackson	238.427	Medium	(10.967)	227.460	(1.665)	225.795
Jefferson	469.988	High	(98.524)	371.464	2.036	373.500
Kanawha	1,337.566	High	(104.452)	1,233.114	-	1,233.114
Lewis	141.500	Low	(23.688)	117.812	1.192	119.004
Lincoln	173.533	Low	(9.881)	163.652	-	163.652
Logan	316.143	Medium	(33.039)	283.104	-	283.104
Marion	436.910	High	(80.145)	356.765	-	356.765
Marshall	269.401	Medium	(55.871)	213.530	-	213.530
Mason	222.612	Low	(29.702)	192.910	-	192.910
McDowell	207.763	Low	(41.882)	165.881	-	165.881
Mercer	437.355	High	(18.070)	419.285	-	419.285
Mineral	222.298	Medium	(24.819)	197.479	-	197.479
Mingo	258.135	Medium	(53.242)	204.893	-	204.893
Monongalia	491.748	High	(31.040)	460.708	-	460.708
Monroe	107.595	Sparse	(20.217)	87.378	-	87.378
Morgan	127.507	Medium	(13.034)	114.473	1.371	115.844
Nicholas	208.468	Low	(25.932)	182.536	-	182.536
Ohio	250.933	High	(20.647)	230.286	-	230.286
Pendleton	67.390	Sparse	(11.372)	56.018	0.471	56.489
Pleasants	80.225	Low	(19.020)	61.205	(1.858)	59.347
Pocahontas	72.426	Sparse	(12.309)	60.117	-	60.117
Preston	230.575	Low	(22.050)	208.525	-	208.525
Putnam	427.938	High	(11.183)	416.755	-	416.755
Raleigh	534.712	High	2.309	537.021	-	537.021
Randolph	202.550	Sparse	(4.322)	198.228	-	198.228
Ritchie	88.264	Sparse	(15.195)	73.069	0.819	73.888
Roane	121.709	Low	(7.973)	113.736	1.665	115.401
Summers	69.635	Sparse	0.031	69.666	-	69.666
Taylor	120.368	Medium	(12.088)	108.280	0.436	108.716
Tucker	56.500	Sparse	(2.529)	53.971	-	53.971
Tyler	80.616	Low	(14.617)	65.999	0.557	66.556
Upshur	181.950	Medium	(8.709)	173.241	(1.626)	171.615
Wayne	357.138	Medium	(22.358)	334.780	-	334.780
Webster	70.223	Sparse	0.351	70.574	-	70.574
Wetzel	152.944	Low	(24.498)	128.446	0.482	128.928
Wirt	48.140	Sparse	(0.914)	47.226	-	47.226
Wood	605.660	High	(13.157)	592.503	-	592.503
Wyoming	219.402	Low	(30.170)	189.232	-	189.232
State	13,844.920	-	(1,351.093)	12,493.827	-	12,493.827

**FINAL COMPUTATIONS (HB 4588 WITH 60% PHASE-IN)
PUBLIC SCHOOL SUPPORT PROGRAM
PERSONNEL RATIOS PER 1,000 STUDENTS
FOR THE 2010-11 YEAR**

County	Professional Educators		Service Personnel	
	Computed Chargeable Net Enrollment Ratio/1,000	Computed Actual Net Enrollment Ratio/1,000	Computed Chargeable Net Enrollment Ratio/1,000	Computed Actual Net Enrollment Ratio/1,000
Barbour	72.87	72.28	45.17	44.99
Berkeley	72.70	73.29	44.14	44.34
Boone	73.38	73.38	45.19	45.19
Braxton	73.46	73.46	45.52	45.52
Brooke	75.36	75.36	44.14	44.14
Cabell	71.86	71.86	44.05	44.05
Calhoun	69.35	75.13	43.84	45.53
Clay	72.61	72.61	45.16	45.16
Doddridge	72.41	70.77	44.30	43.60
Fayette	71.23	71.23	44.46	44.46
Gilmer	67.29	61.29	42.19	40.43
Grant	73.42	75.84	45.51	46.26
Greenbrier	73.35	73.35	45.17	45.17
Hampshire	72.88	72.88	45.19	45.19
Hancock	72.97	72.97	44.07	44.07
Hardy	71.57	70.20	44.33	43.91
Harrison	73.07	73.34	44.05	44.16
Jackson	72.68	73.72	44.83	45.16
Jefferson	71.57	70.85	44.09	43.85
Kanawha	72.73	72.73	44.09	44.09
Lewis	73.35	71.84	45.17	44.71
Lincoln	73.37	73.37	45.18	45.18
Logan	70.56	70.56	44.04	44.04
Marion	71.91	71.91	44.07	44.07
Marshall	73.18	73.18	44.40	44.40
Mason	73.44	73.44	45.22	45.22
McDowell	72.95	72.95	45.18	45.18
Mercer	71.41	71.41	44.06	44.06
Mineral	73.16	73.16	44.38	44.38
Mingo	71.58	71.58	44.68	44.68
Monongalia	72.35	72.35	44.04	44.04
Monroe	72.83	72.83	45.63	45.63
Morgan	71.22	69.64	44.45	43.93
Nicholas	73.34	73.34	45.16	45.16
Ohio	73.21	73.21	44.13	44.13
Pendleton	68.11	66.98	42.04	41.69
Pleasants	72.76	76.67	44.99	46.40
Pocahontas	68.84	68.84	42.94	42.94
Preston	73.37	73.37	45.18	45.18
Putnam	73.03	73.03	44.06	44.06
Raleigh	71.74	71.74	43.94	43.94
Randolph	73.31	73.31	45.51	45.51
Ritchie	73.47	72.07	45.57	45.07
Roane	72.64	70.59	45.17	44.52
Summers	71.21	71.21	45.02	45.02
Taylor	72.14	71.72	44.40	44.23
Tucker	68.98	68.98	43.35	43.35
Tyler	73.52	72.47	45.19	44.82
Upshur	73.23	74.64	44.82	45.24
Wayne	73.17	73.17	44.39	44.39
Webster	71.25	71.25	45.05	45.05
Wetzel	73.46	72.99	45.24	45.07
Wirt	68.07	68.07	42.88	42.88
Wood	72.16	72.16	44.08	44.08
Wyoming	73.36	73.36	45.17	45.17
State	72.45	72.45	44.39	44.39

**FINAL COMPUTATIONS - (HB 4588 WITH 60% PHASE-IN)
PUBLIC SCHOOL SUPPORT PROGRAM
PROFESSIONAL INSTRUCTIONAL PERSONNEL DATA
FOR THE 2010-11 YEAR**

County	2009-10 Net Enrollment With Total Adjustments	Student Population Density	Computed Professional Instructional Employed	Proration Multi-County Vocational Centers	Computed Professional Instructional Chargeable	Computed Professional Instructional Chargeable Ratio/1,000	Computed PI Required	Under PI Limits Without Enrollment Increase
Barbour	2,476.52	Low	164.68	1.18	165.86	66.97	166.19	-
Berkeley	17,237.60	High	1,235.20	(9.46)	1,225.74	71.11	1,154.87	-
Boone	4,665.00	Low	367.84	-	367.84	78.85	316.17	-
Braxton	2,229.62	Sparse	161.18	-	161.18	72.29	150.83	-
Brooke	3,391.21	High	259.60	-	259.60	76.55	250.55	-
Cabell	12,522.10	High	864.11	-	864.11	69.01	829.14	-
Calhoun	1,197.20	Sparse	78.90	(5.93)	72.97	60.95	76.34	-
Clay	2,043.00	Low	138.40	-	138.40	67.74	136.60	-
Doddridge	1,239.44	Sparse	93.60	1.82	95.42	76.99	82.91	-
Fayette	6,727.75	Medium	466.60	-	466.60	69.35	441.37	-
Gilmer	1,151.71	Sparse	67.50	5.93	73.43	63.76	71.01	-
Grant	1,939.05	Sparse	139.75	(3.95)	135.80	70.03	132.67	-
Greenbrier	5,282.40	Low	369.50	-	369.50	69.95	356.96	-
Hampshire	3,596.00	Low	241.65	-	241.65	67.20	241.75	-
Hancock	4,287.00	High	296.80	-	296.80	69.23	291.68	-
Hardy	2,301.55	Sparse	148.83	2.67	151.50	65.83	151.55	-
Harrison	11,229.14	High	780.10	(2.73)	777.37	69.23	762.76	-
Jackson	5,037.08	Medium	356.20	(4.66)	351.54	69.79	337.28	-
Jefferson	8,471.57	High	579.28	5.65	584.93	69.05	558.62	-
Kanawha	27,970.80	High	1,971.32	-	1,971.32	70.48	1,874.72	-
Lewis	2,634.85	Low	187.80	3.25	191.05	72.51	179.41	-
Lincoln	3,622.40	Low	263.30	-	263.30	72.69	246.70	-
Logan	6,429.05	Medium	418.93	-	418.93	65.16	417.75	-
Marion	8,094.70	High	583.55	-	583.55	72.09	536.38	-
Marshall	4,809.67	Medium	348.44	-	348.44	72.45	327.42	-
Mason	4,266.10	Low	303.17	-	303.17	71.06	288.88	-
McDowell	3,671.66	Low	254.10	-	254.10	69.21	246.69	-
Mercer	9,515.55	High	647.38	-	647.38	68.03	626.07	-
Mineral	4,449.31	Medium	313.60	-	313.60	70.48	300.65	-
Mingo	4,586.00	Medium	331.45	-	331.45	72.27	302.33	-
Monongalia	10,460.35	High	715.40	-	715.40	68.39	697.39	-
Monroe	1,914.75	Sparse	139.57	-	139.57	72.89	128.32	-
Morgan	2,605.90	Medium	178.40	3.81	182.21	69.92	170.93	-
Nicholas	4,042.00	Low	293.20	-	293.20	72.54	275.43	-
Ohio	5,218.23	High	365.55	-	365.55	70.05	354.69	-
Pendleton	1,343.77	Sparse	83.81	1.28	85.09	63.32	84.28	-
Pleasants	1,319.08	Low	107.47	(4.20)	103.27	78.29	88.39	-
Pocahontas	1,400.00	Sparse	95.16	-	95.16	67.97	88.60	-
Preston	4,615.80	Low	324.23	-	324.23	70.24	315.70	-
Putnam	9,458.25	High	647.80	-	647.80	68.49	636.56	-
Raleigh	12,220.55	High	829.10	-	829.10	67.84	807.83	-
Randolph	4,355.90	Sparse	313.22	-	313.22	71.91	293.86	-
Ritchie	1,621.25	Sparse	115.70	1.85	117.55	72.51	109.63	-
Roane	2,554.90	Low	170.22	4.66	174.88	68.45	170.91	-
Summers	1,547.50	Sparse	106.00	-	106.00	68.50	101.36	-
Taylor	2,448.30	Medium	161.30	0.91	162.21	66.25	162.69	-
Tucker	1,245.07	Sparse	79.72	-	79.72	64.03	78.96	-
Tyler	1,472.65	Low	106.65	1.26	107.91	73.28	100.61	-
Upshur	3,829.15	Medium	272.96	(4.43)	268.53	70.13	258.34	-
Wayne	7,542.30	Medium	543.90	-	543.90	72.11	509.78	-
Webster	1,566.70	Sparse	100.51	-	100.51	64.15	102.68	-
Wetzel	2,850.13	Low	215.60	1.09	216.69	76.03	193.40	-
Wirt	1,101.39	Sparse	73.30	-	73.30	66.55	68.68	-
Wood	13,441.41	High	929.30	-	929.30	69.14	893.81	-
Wyoming	4,189.30	Low	305.30	-	305.30	72.88	286.20	-
State	383,883.13	-	19,706.13	0.00	19,706.13	51.33	18,835.30	-

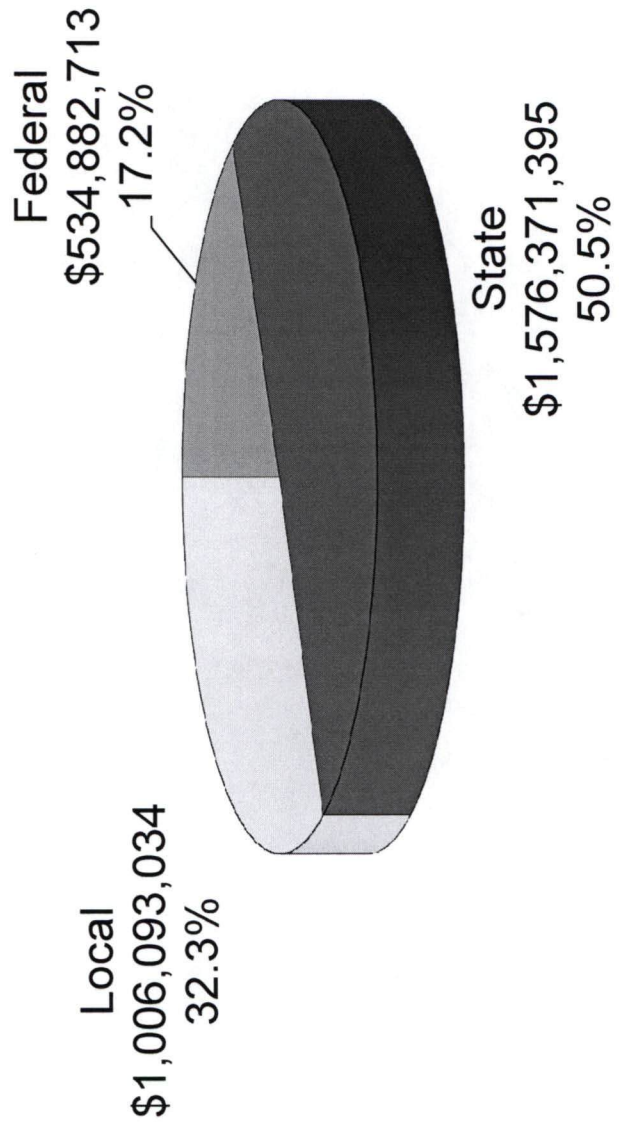
**FINAL COMPUTATIONS - (HB 4588 WITH 60% PHASE-IN)
PUBLIC SCHOOL SUPPORT PROGRAM
PROFESSIONAL EDUCATOR AND PROFESSIONAL
STUDENT SUPPORT PERSONNEL DATA
FOR THE 2010-11 YEAR**

County	Professional Student Support Personnel			Professional Educators			Total Professional Personnel		
	Computed State Aid Eligible Employed	Computed No. Employed In Excess Of Limits	Computed No. Student Support Pers Funded	Computed State Aid Eligible Employed	Computed No. Employed In Excess Of Limits	Computed Adjusted No. Prof Educ. Funded	2009-10 State Aid Eligible Employed	Computed No. Employed In Excess Of Limits	Computed Adjusted No. Prof. Pers. Funded
Barbour	4.20	0.23	4.43	179.78	(0.77)	179.01	183.98	(0.54)	183.44
Berkeley	36.30	(2.53)	33.77	1,312.40	(49.01)	1,263.39	1,348.70	(51.54)	1,297.16
Boone	8.76	(2.31)	6.45	394.64	(52.32)	342.32	403.40	(54.63)	348.77
Braxton	3.60	(0.51)	3.09	176.27	(12.49)	163.78	179.87	(13.00)	166.87
Brooke	0.00	0.00	-	279.60	(24.05)	255.55	279.60	(24.05)	255.55
Cabell	20.49	0.36	20.85	915.61	(15.75)	899.86	936.10	(15.39)	920.71
Calhoun	2.10	(0.13)	1.97	87.48	2.46	89.94	89.58	2.33	91.91
Clay	2.40	0.00	2.40	150.40	(2.06)	148.34	152.80	(2.06)	150.74
Doddridge	2.40	(0.28)	2.12	101.50	(13.78)	87.72	103.90	(14.06)	89.84
Fayette	11.40	0.43	11.83	504.00	(24.75)	479.25	515.40	(24.32)	491.08
Gilmer	1.80	0.07	1.87	75.50	(4.91)	70.59	77.30	(4.84)	72.46
Grant	3.75	(0.59)	3.16	148.55	(1.49)	147.06	152.30	(2.08)	150.22
Greenbrier	12.60	(0.68)	11.92	395.74	(8.25)	387.49	408.34	(8.93)	399.41
Hampshire	6.60	0.23	6.83	257.51	4.56	262.07	264.11	4.79	268.90
Hancock	7.20	(0.86)	6.34	328.46	(15.62)	312.84	335.66	(16.48)	319.18
Hardy	4.20	0.25	4.45	158.46	3.10	161.56	162.66	3.35	166.01
Harrison	19.80	(0.04)	19.76	832.85	(9.30)	823.55	852.65	(9.34)	843.31
Jackson	10.80	(0.17)	10.63	384.70	(13.35)	371.35	395.50	(13.52)	381.98
Jefferson	18.60	(3.41)	15.19	637.28	(37.10)	600.18	655.88	(40.51)	615.37
Kanawha	67.98	1.76	69.74	2,107.57	(73.31)	2,034.26	2,175.55	(71.55)	2,104.00
Lewis	5.40	(0.86)	4.54	202.30	(13.00)	189.30	207.70	(13.86)	193.84
Lincoln	5.70	(0.89)	4.81	283.75	(17.98)	265.77	289.45	(18.87)	270.58
Logan	9.60	0.64	10.24	458.48	(4.82)	453.66	468.08	(4.18)	463.90
Marion	14.40	(0.11)	14.29	626.30	(44.18)	582.12	640.70	(44.29)	596.41
Marshall	10.56	(0.19)	10.37	371.44	(19.46)	351.98	382.00	(19.65)	362.35
Mason	9.10	(2.64)	6.46	328.09	(14.80)	313.29	337.19	(17.44)	319.75
McDowell	8.40	(0.34)	8.06	274.60	(6.74)	267.86	283.00	(7.08)	275.92
Mercer	17.82	(1.56)	16.26	692.08	(12.55)	679.53	709.90	(14.11)	695.79
Mineral	9.52	(0.24)	9.28	338.35	(12.83)	325.52	347.87	(13.07)	334.80
Mingo	7.50	(0.73)	6.77	359.61	(31.36)	328.25	367.11	(32.09)	335.02
Monongalia	17.85	0.79	18.64	762.90	(6.11)	756.79	780.75	(5.32)	775.43
Monroe	4.20	(0.78)	3.42	150.09	(10.64)	139.45	154.29	(11.42)	142.87
Morgan	4.80	(0.50)	4.30	203.80	(22.32)	181.48	208.60	(22.82)	185.78
Nicholas	6.30	0.60	6.90	311.70	(15.26)	296.44	318.00	(14.66)	303.34
Ohio	10.20	(0.85)	9.35	393.05	(11.02)	382.03	403.25	(11.87)	391.38
Pendleton	1.50	0.10	1.60	91.81	(1.81)	90.00	93.31	(1.71)	91.60
Pleasants	2.40	0.13	2.53	121.47	(20.33)	101.14	123.87	(20.20)	103.67
Pocahontas	2.85	(0.10)	2.75	102.09	(5.72)	96.37	104.94	(5.82)	99.12
Preston	7.35	(0.62)	6.73	349.68	(11.03)	338.65	357.03	(11.65)	345.38
Putnam	14.70	2.89	17.59	688.64	2.05	690.69	703.34	4.94	708.28
Raleigh	23.40	0.41	23.81	887.10	(10.35)	876.75	910.50	(9.94)	900.56
Randolph	9.15	(0.51)	8.64	337.27	(17.95)	319.32	346.42	(18.46)	327.96
Ritchie	1.80	(0.15)	1.65	127.70	(10.85)	116.85	129.50	(11.00)	118.50
Roane	3.60	0.05	3.65	180.72	(0.37)	180.35	184.32	(0.32)	184.00
Summers	3.00	0.65	3.65	113.51	(3.32)	110.19	116.51	(2.67)	113.84
Taylor	4.20	0.17	4.37	172.80	2.79	175.59	177.00	2.96	179.96
Tucker	1.80	0.13	1.93	86.10	(0.22)	85.88	87.90	(0.09)	87.81
Tyler	3.00	(0.18)	2.82	114.40	(7.68)	106.72	117.40	(7.86)	109.54
Upshur	6.60	0.40	7.00	296.56	(10.74)	285.82	303.16	(10.34)	292.82
Wayne	10.20	0.14	10.34	579.90	(28.06)	551.84	590.10	(27.92)	562.18
Webster	1.71	1.46	3.17	109.26	2.37	111.63	110.97	3.83	114.80
Wetzel	5.40	(1.07)	4.33	232.60	(24.56)	208.04	238.00	(25.63)	212.37
Wirt	2.10	0.10	2.20	78.36	(3.39)	74.97	80.46	(3.29)	77.17
Wood	26.70	(1.51)	25.19	993.30	(23.32)	969.98	1,020.00	(24.83)	995.17
Wyoming	7.20	(2.12)	5.08	329.00	(21.69)	307.31	336.20	(23.81)	312.39
State	524.99	(15.43)	509.56	21,177.11	(785.44)	20,391.67	21,702.10	(800.87)	20,901.23

**COUNTY BOARDS OF EDUCATION
SUMMARY OF PROPOSED BUDGETS
FOR THE 2010-11 YEAR**

County	Current Expense Fund	Special Revenue Fund	Debt Service Fund	Bond Construction Fund	Permanent Improvement Fund	Capital Projects Fund	Special Revenue ARRA	Total All Funds
Barbour	16,956,932	4,249,705	865,000	-	265,000	-	965,280	23,301,917
Berkeley	143,200,268	21,945,598	6,802,844	-	-	-	5,753,235	177,701,945
Boone	43,011,770	7,639,127	-	-	-	-	1,412,115	52,063,012
Braxton	16,005,644	4,862,597	1,212,488	-	-	-	756,668	22,837,397
Brooke	27,857,335	4,671,626	1,438,625	400,000	1,377,392	-	1,122,885	36,867,863
Cabell	100,985,652	20,772,421	5,575,213	-	1,354,964	-	3,861,821	132,550,072
Calhoun	7,318,490	2,112,860	358,500	-	-	-	622,580	10,412,430
Clay	13,335,394	4,104,331	-	-	-	-	660,945	18,100,670
Doddridge	11,905,410	2,256,460	773,840	-	-	-	385,130	15,320,840
Fayette	55,042,931	11,780,532	-	-	-	-	2,096,766	68,920,229
Gilmer	8,173,778	1,860,229	-	-	-	-	312,724	10,346,731
Grant	12,504,952	2,996,782	68,148	-	-	-	739,805	16,309,687
Greenbrier	42,822,950	9,550,550	4,832,840	32,548,000	-	11,200,000	1,718,050	102,672,390
Hampshire	23,988,243	5,542,270	-	-	-	-	1,128,384	30,658,897
Hancock	36,268,303	5,692,208	-	-	-	-	1,319,181	43,279,692
Hardy	15,256,982	3,535,800	-	-	-	-	733,054	19,525,836
Harrison	98,515,526	16,760,913	-	-	-	-	3,593,525	118,869,964
Jackson	39,213,678	6,689,881	-	-	-	-	1,598,637	47,502,196
Jefferson	76,231,158	10,116,905	1,673,601	-	-	-	2,679,215	90,700,879
Kanawha	223,202,825	45,119,405	-	75,000	26,500,000	-	10,561,421	305,458,651
Lewis	21,021,744	4,732,142	-	-	-	-	974,546	26,728,432
Lincoln	32,059,876	7,555,290	-	-	150,000	-	1,178,336	40,943,502
Logan	59,916,080	10,924,716	-	-	2,760,000	-	1,960,150	75,560,946
Marion	65,717,114	11,912,216	-	-	-	-	2,518,075	80,147,405
Marshall	45,341,530	7,741,220	2,677,210	5,320,000	-	8,301,240	1,848,830	71,230,030
Mason	33,611,321	6,833,204	1,952,345	-	-	145,647	1,327,265	43,869,782
McDowell	33,036,200	9,679,740	-	-	300,000	-	1,180,960	44,196,900
Mercer	70,967,480	16,437,170	-	-	-	1,562,950	2,965,810	91,933,410
Mineral	34,967,107	7,806,606	-	-	600,000	382,656	1,445,974	45,202,343
Mingo	40,860,341	8,463,845	-	-	1,145,649	18,967,337	1,397,866	70,835,038
Monongalia	89,252,190	14,708,930	3,486,450	-	3,582,590	-	3,236,650	114,266,810
Monroe	13,716,272	3,593,341	199,298	-	140,263	-	1,024,025	18,673,199
Morgan	21,955,401	3,664,863	-	-	-	335,000	722,754	26,678,018
Nicholas	31,297,249	6,439,597	-	-	-	9,208,000	1,325,345	48,270,191
Ohio	45,655,789	8,032,137	2,958,921	-	12,816,442	-	1,606,254	71,069,543
Pendleton	8,933,136	1,830,461	-	-	-	-	408,899	11,172,496
Pleasants	13,383,768	2,041,947	-	-	-	-	426,348	15,852,063
Pocahontas	10,555,482	2,173,787	-	-	-	-	426,181	13,155,450
Preston	31,653,280	7,530,240	-	-	-	-	1,525,110	40,708,630
Putnam	80,689,935	12,376,191	5,152,664	-	-	1,016,270	2,897,656	102,132,716
Raleigh	98,787,219	20,887,755	-	-	200,000	1,500,000	3,753,026	125,128,000
Randolph	30,370,688	7,133,173	-	-	-	-	1,913,007	39,416,868
Ritchie	13,986,912	2,874,351	-	-	-	-	522,203	17,383,466
Roane	16,850,736	4,555,210	298,210	-	-	92,582	1,063,688	22,860,426
Summers	10,796,474	3,612,350	-	-	-	-	719,340	15,128,164
Taylor	20,071,331	3,417,262	947,993	-	-	-	808,975	25,245,561
Tucker	8,856,735	1,845,728	-	-	-	-	389,830	11,092,293
Tyler	13,828,024	2,588,258	-	-	-	-	525,742	16,942,024
Upshur	28,550,534	5,781,967	-	-	-	-	1,703,044	36,035,545
Wayne	57,458,812	11,158,152	-	-	-	-	2,308,845	70,925,809
Webster	11,155,787	3,113,433	-	-	-	-	491,841	14,761,061
Wetzel	24,070,337	4,477,985	-	-	-	-	943,389	29,491,710
Wirt	7,080,743	1,873,028	-	-	-	192,513	438,687	9,584,970
Wood	105,981,454	18,972,480	4,167,250	-	-	640,000	4,174,998	133,936,182
Wyoming	37,903,160	7,821,904	1,521,130	-	761,890	-	1,375,950	49,384,034
Total	2,282,138,463	446,850,877	46,962,570	38,343,000	51,954,190	53,544,195	93,551,020	3,013,344,315

COUNTY BOARDS OF EDUCATION REVENUES BY SOURCE 2009-10



**COUNTY BOARDS OF EDUCATION
TOTAL REVENUES CLASSIFIED BY SOURCE
FOR THE 2009-10 YEAR**

County	Local Revenues		State Revenues		Federal Revenues		Total Revenues
	Amount	Percent	Amount	Percent	Amount	Percent	
Barbour	\$ 2,930,227	12.0%	\$ 16,258,743	66.7%	\$ 5,194,289	21.3%	\$ 24,383,259
Berkeley	73,662,424	37.8%	90,474,661	46.4%	30,870,586	15.8%	195,007,671
Boone	25,082,723	45.1%	22,120,133	39.8%	8,400,237	15.1%	55,603,093
Braxton	4,886,925	17.9%	16,556,996	60.5%	5,916,414	21.6%	27,360,335
Brooke	12,826,252	34.6%	18,888,785	51.0%	5,354,164	14.4%	37,069,201
Cabell	50,689,608	35.5%	66,586,175	46.6%	25,484,364	17.9%	142,760,147
Calhoun	2,240,958	15.8%	9,676,192	68.3%	2,241,340	15.8%	14,158,490
Clay	3,133,555	15.3%	12,450,699	60.9%	4,862,165	23.8%	20,446,419
Doddridge	6,959,688	44.0%	6,306,759	39.8%	2,565,846	16.2%	15,832,293
Fayette	18,051,284	24.9%	40,401,089	55.8%	13,999,919	19.3%	72,452,292
Gilmer	3,297,862	29.8%	5,549,180	50.2%	2,216,072	20.0%	11,063,114
Grant	5,527,963	30.1%	9,558,479	52.1%	3,270,795	17.8%	18,357,237
Greenbrier	20,003,205	32.8%	29,838,825	48.9%	11,142,806	18.3%	60,984,836
Hampshire	8,311,205	24.5%	18,089,527	53.3%	7,554,051	22.2%	33,954,783
Hancock	16,785,643	38.1%	20,380,289	46.3%	6,875,613	15.6%	44,041,545
Hardy	5,128,695	24.9%	11,684,973	56.7%	3,804,904	18.5%	20,618,572
Harrison	38,506,267	30.8%	60,992,231	48.8%	25,558,725	20.4%	125,057,223
Jackson	16,973,710	31.3%	29,327,415	54.1%	7,937,436	14.6%	54,238,561
Jefferson	52,548,968	52.4%	37,117,462	37.0%	10,595,183	10.6%	100,261,613
Kanawha	116,858,229	37.2%	146,173,906	46.6%	50,781,506	16.2%	313,813,641
Lewis	10,492,475	38.8%	12,490,107	46.1%	4,088,873	15.1%	27,071,455
Lincoln	8,879,967	21.6%	24,053,086	58.5%	8,152,661	19.8%	41,085,714
Logan	22,107,505	32.5%	34,179,286	50.3%	11,707,502	17.2%	67,994,293
Marion	28,858,962	34.6%	42,284,041	50.7%	12,298,286	14.7%	83,441,289
Marshall	28,344,609	44.1%	25,447,100	39.6%	10,508,434	16.3%	64,300,143
Mason	17,839,379	34.9%	24,882,274	48.6%	8,460,368	16.5%	51,182,021
McDowell	13,488,024	20.6%	39,390,144	60.1%	12,626,485	19.3%	65,504,653
Mercer	22,578,703	22.6%	57,754,301	57.7%	19,728,562	19.7%	100,061,566
Mineral	11,489,746	24.8%	26,900,479	58.2%	7,852,915	17.0%	46,243,140
Mingo	16,375,141	25.3%	34,349,677	53.1%	13,969,309	21.6%	64,694,127
Monongalia	50,929,972	42.6%	50,996,109	42.7%	17,505,736	14.7%	119,431,817
Monroe	4,355,995	21.2%	11,906,600	57.9%	4,303,165	20.9%	20,565,760
Morgan	11,252,366	42.4%	11,676,735	44.0%	3,590,381	13.5%	26,519,482
Nicholas	10,655,301	24.3%	23,540,930	53.6%	9,719,181	22.1%	43,915,412
Ohio	25,026,793	38.9%	29,563,755	45.9%	9,782,359	15.2%	64,372,907
Pendleton	2,233,430	19.6%	7,158,656	62.8%	2,012,920	17.6%	11,405,006
Pleasants	9,161,416	51.5%	6,526,258	36.7%	2,098,429	11.8%	17,786,103
Pocahontas	4,847,495	36.8%	5,540,381	42.1%	2,768,762	21.0%	13,156,638
Preston	9,192,013	21.9%	25,207,017	60.0%	7,601,454	18.1%	42,000,484
Putnam	36,424,739	36.7%	50,379,084	50.7%	12,470,220	12.6%	99,274,043
Raleigh	40,474,078	30.2%	69,606,207	51.9%	24,073,350	17.9%	134,153,635
Randolph	6,767,337	14.5%	29,968,537	64.4%	9,783,802	21.0%	46,519,676
Ritchie	5,680,800	32.1%	8,825,507	49.8%	3,197,821	18.1%	17,704,128
Roane	3,060,141	12.7%	15,596,028	64.8%	5,428,825	22.5%	24,084,994
Summers	2,584,623	17.2%	9,348,703	62.1%	3,119,077	20.7%	15,052,403
Taylor	6,107,498	24.9%	14,031,548	57.2%	4,407,309	18.0%	24,546,355
Tucker	3,543,141	29.4%	6,281,470	52.2%	2,212,729	18.4%	12,037,340
Tyler	5,406,833	29.9%	9,113,016	50.4%	3,546,400	19.6%	18,066,249
Upshur	9,121,305	23.2%	22,890,111	58.1%	7,373,779	18.7%	39,385,195
Wayne	17,620,802	23.2%	44,762,123	58.9%	13,666,708	18.0%	76,049,633
Webster	2,447,071	12.2%	12,706,606	63.6%	4,836,645	24.2%	19,990,322
Wetzel	9,023,091	27.9%	18,080,607	56.0%	5,202,355	16.1%	32,306,053
Wirt	1,666,791	17.0%	5,995,063	61.2%	2,132,986	21.8%	9,794,840
Wood	45,699,932	32.4%	72,987,480	51.7%	22,388,936	15.9%	141,076,348
Wyoming	17,950,169	36.6%	23,519,849	47.9%	7,639,578	15.6%	49,109,596
Total	\$ 1,006,093,034	32.3%	\$ 1,576,371,395	50.6%	\$ 534,882,713	17.2%	\$ 3,117,347,145
Bond and capital lease proceeds, not classified above							\$ 4,760,850

Note: RESA funds are not included.

OSF

06/01/11

Rev Classified by Source 10

**COUNTY BOARDS OF EDUCATION
TOTAL EXPENDITURES
2009-10 YEAR**

County	Current Operations	Capital Outlay	Debt Service	Total
Barbour	23,466,589	1,729,938	1,010,000	26,206,527
Berkeley	171,921,654	7,660,929	4,208,684	183,791,267
Boone	54,623,901	--	--	54,623,901
Braxton	24,131,718	8,650,228	1,210,313	33,992,259
Brooke	36,282,058	307,633	1,427,450	38,017,141
Cabell	128,897,913	16,287,035	5,577,963	150,762,910
Calhoun	11,127,505	1,397,500	349,406	12,874,411
Clay	19,764,355	298,324	--	20,062,679
Doddridge	13,271,070	45,882	774,740	14,091,692
Fayette	71,853,676	1,216,047	--	73,069,722
Gilmer	11,260,467	--	--	11,260,467
Grant	17,298,025	292,887	68,148	17,659,060
Greenbrier	56,617,161	4,283,707	5,046,925	65,947,793
Hampshire	34,167,784	249,124	--	34,416,907
Hancock	42,664,957	4,010,041	--	46,674,998
Hardy	20,503,819	462,862	--	20,966,681
Harrison	117,735,394	1,470,328	--	119,205,722
Jackson	50,782,367	1,895,420	--	52,677,787
Jefferson	93,071,659	9,127,778	3,401,114	105,600,551
Kanawha	293,040,331	8,855,300	3,996,305	305,891,936
Lewis	28,356,294	--	--	28,356,294
Lincoln	39,959,795	1,130,963	--	41,090,759
Logan	64,978,889	365,544	--	65,344,432
Marion	84,557,711	282,212	53	84,839,976
Marshall	57,283,983	6,829,962	2,683,175	66,797,120
Mason	45,432,381	4,659,708	2,050,404	52,142,492
McDowell	41,869,758	19,194,918	--	61,064,676
Mercer	96,377,579	4,522,416	--	100,899,995
Mineral	47,615,645	966,974	--	48,582,620
Mingo	51,630,905	16,629,379	--	68,260,284
Monongalia	108,954,833	11,332,402	3,403,550	123,690,786
Monroe	19,550,961	67,111	202,422	19,820,495
Morgan	27,170,714	544,631	--	27,715,345
Nicholas	37,967,029	--	--	37,967,029
Ohio	57,920,291	2,822,945	1,219,694	61,962,930
Pendleton	12,879,066	--	--	12,879,066
Pleasants	15,947,804	--	--	15,947,804
Pocahontas	13,413,833	--	--	13,413,833
Preston	46,035,380	--	--	46,035,380
Putnam	95,186,051	7,445,198	--	102,631,249
Raleigh	123,718,230	5,556,348	--	129,274,579
Randolph	44,241,052	3,989,663	--	48,230,715
Ritchie	17,868,446	--	--	17,868,446
Roane	24,064,268	221,299	296,218	24,581,785
Summers	15,315,894	601,704	--	15,917,597
Taylor	21,573,882	7,500	936,728	22,518,110
Tucker	10,935,321	586,114	--	11,521,434
Tyler	18,133,382	--	--	18,133,382
Upshur	39,438,446	186,083	--	39,624,528
Wayne	75,912,912	1,708,695	--	77,621,607
Webster	15,934,717	3,387,563	--	19,322,280
Wetzel	32,367,667	1,033,533	--	33,401,199
Wirt	10,153,438	25,597	--	10,179,035
Wood	135,152,928	1,036,605	3,154,450	139,343,982
Wyoming	43,162,018	246,729	99,738	43,508,485
State	2,913,543,905	163,622,757	41,117,479	3,118,284,140

Note: Excludes expenditures of Regional Education Service Agencies (RESAs) and Multi-County Vocational Centers (MCVCs).

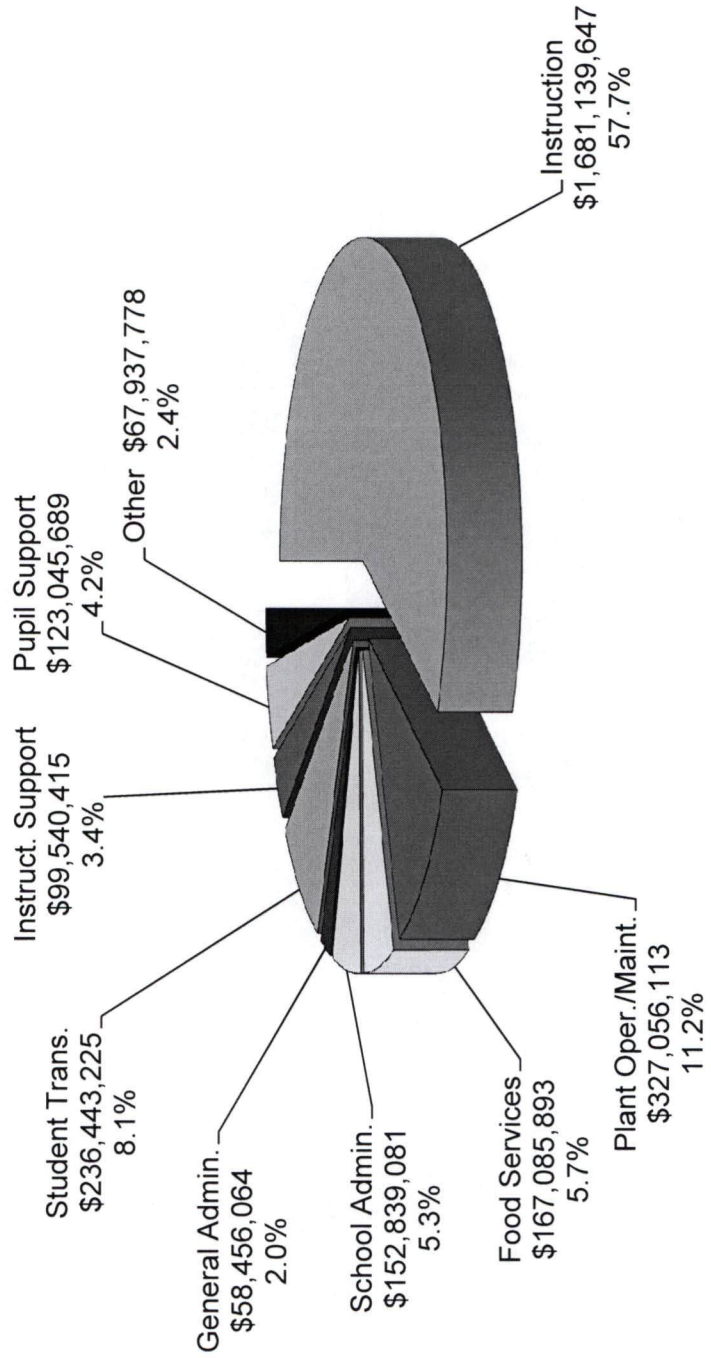
OSF3
07/25/11
Current Exp by Function 10

**COUNTY BOARDS OF EDUCATION
TOTAL EXPENDITURES - ARRANGED
IN DESCENDING ORDER
2009-10 YEAR**

Ct.	County	Current Operations	Capital Outlay	Debt Service	Total
1.	Kanawha	293,040,331	8,855,300	3,996,305	305,891,936
2.	Berkeley	171,921,654	7,660,929	4,208,684	183,791,267
3.	Cabell	128,897,913	16,287,035	5,577,963	150,762,910
4.	Wood	135,152,928	1,036,605	3,154,450	139,343,982
5.	Raleigh	123,718,230	5,556,348	--	129,274,579
6.	Monongalia	108,954,833	11,332,402	3,403,550	123,690,786
7.	Harrison	117,735,394	1,470,328	--	119,205,722
8.	Jefferson	93,071,659	9,127,778	3,401,114	105,600,551
9.	Putnam	95,186,051	7,445,198	--	102,631,249
10.	Mercer	96,377,579	4,522,416	--	100,899,995
11.	Marion	84,557,711	282,212	53	84,839,976
12.	Wayne	75,912,912	1,708,695	--	77,621,607
13.	Fayette	71,853,676	1,216,047	--	73,069,722
14.	Mingo	51,630,905	16,629,379	--	68,260,284
15.	Marshall	57,283,983	6,829,962	2,683,175	66,797,120
16.	Greenbrier	56,617,161	4,283,707	5,046,925	65,947,793
17.	Logan	64,978,889	365,544	--	65,344,432
18.	Ohio	57,920,291	2,822,945	1,219,694	61,962,930
19.	McDowell	41,869,758	19,194,918	--	61,064,676
20.	Boone	54,623,901	--	--	54,623,901
21.	Jackson	50,782,367	1,895,420	--	52,677,787
22.	Mason	45,432,381	4,659,708	2,050,404	52,142,492
23.	Mineral	47,615,645	966,974	--	48,582,620
24.	Randolph	44,241,052	3,989,663	--	48,230,715
25.	Hancock	42,664,957	4,010,041	--	46,674,998
26.	Preston	46,035,380	--	--	46,035,380
27.	Wyoming	43,162,018	246,729	99,738	43,508,485
28.	Lincoln	39,959,795	1,130,963	--	41,090,759
29.	Upshur	39,438,446	186,083	--	39,624,528
30.	Brooke	36,282,058	307,633	1,427,450	38,017,141
31.	Nicholas	37,967,029	--	--	37,967,029
32.	Hampshire	34,167,784	249,124	--	34,416,907
33.	Braxton	24,131,718	8,650,228	1,210,313	33,992,259
34.	Wetzel	32,367,667	1,033,533	--	33,401,199
35.	Lewis	28,356,294	--	--	28,356,294
36.	Morgan	27,170,714	544,631	--	27,715,345
37.	Barbour	23,466,589	1,729,938	1,010,000	26,206,527
38.	Roane	24,064,268	221,299	296,218	24,581,785
39.	Taylor	21,573,882	7,500	936,728	22,518,110
40.	Hardy	20,503,819	462,862	--	20,966,681
41.	Clay	19,764,355	298,324	--	20,062,679
42.	Monroe	19,550,961	67,111	202,422	19,820,495
43.	Webster	15,934,717	3,387,563	--	19,322,280
44.	Tyler	18,133,382	--	--	18,133,382
45.	Ritchie	17,868,446	--	--	17,868,446
46.	Grant	17,298,025	292,887	68,148	17,659,060
47.	Pleasants	15,947,804	--	--	15,947,804
48.	Summers	15,315,894	601,704	--	15,917,597
49.	Doddridge	13,271,070	45,882	774,740	14,091,692
50.	Pocahontas	13,413,833	--	--	13,413,833
51.	Pendleton	12,879,066	--	--	12,879,066
52.	Calhoun	11,127,505	1,397,500	349,406	12,874,411
53.	Tucker	10,935,321	586,114	--	11,521,434
54.	Gilmer	11,260,467	--	--	11,260,467
55.	Wirt	10,153,438	25,597	--	10,179,035
-	State	2,913,543,905	163,622,757	41,117,479	3,118,284,140

Note: Excludes expenditures of Regional Education Service Agencies (RESAs) and Multi-County Vocational Centers (MCVCs).

COUNTY BOARDS OF EDUCATION EXPENDITURES FOR CURRENT OPERATIONS 2009-10



**COUNTY BOARDS OF EDUCATION
EXPENDITURES FOR CURRENT OPERATIONS
CLASSIFIED BY FUNCTION
FOR THE 2009-10 YEAR**

County	Support Services							
	Instruction		Students		Instructional Staff		General Administration	
	Amount	Pct.	Amount	Pct.	Amount	Pct.	Amount	Pct.
Barbour	13,634,357	58.1%	961,795	4.1%	867,549	3.7%	359,316	1.5%
Berkeley	99,501,634	57.9%	8,687,056	5.1%	6,247,075	3.6%	2,187,215	1.3%
Boone	28,723,867	52.6%	2,626,555	4.8%	1,603,097	2.9%	1,808,284	3.3%
Braxton	13,317,706	55.2%	1,347,455	5.6%	1,032,938	4.3%	678,435	2.8%
Brooke	20,582,576	56.7%	1,933,093	5.3%	510,254	1.4%	1,501,158	4.1%
Cabell	75,211,221	58.4%	5,782,686	4.5%	5,710,327	4.4%	1,304,831	1.0%
Calhoun	6,260,220	56.3%	292,633	2.6%	350,755	3.2%	377,071	3.4%
Clay	10,831,453	54.8%	676,122	3.4%	493,670	2.5%	813,199	4.1%
Doddridge	6,846,288	51.6%	379,255	2.9%	715,588	5.4%	601,636	4.5%
Fayette	42,243,911	58.8%	2,666,943	3.7%	1,899,154	2.6%	1,367,416	1.9%
Gilmer	5,406,736	48.0%	458,329	4.1%	434,633	3.9%	450,738	4.0%
Grant	10,398,523	60.1%	497,765	2.9%	717,142	4.2%	394,300	2.3%
Greenbrier	34,344,701	60.7%	939,522	1.7%	1,578,396	2.8%	1,380,740	2.4%
Hampshire	18,609,557	54.5%	1,924,956	5.6%	1,566,303	4.6%	706,045	2.1%
Hancock	24,733,402	58.0%	1,200,835	2.8%	1,041,398	2.4%	2,201,597	5.2%
Hardy	11,648,036	56.8%	748,447	3.7%	917,042	4.5%	650,084	3.2%
Harrison	67,980,237	57.7%	5,207,432	4.4%	5,450,025	4.6%	1,098,755	0.9%
Jackson	27,673,445	54.5%	3,080,751	6.1%	1,528,956	3.0%	927,974	1.8%
Jefferson	53,706,636	57.7%	4,255,064	4.6%	3,115,419	3.4%	1,588,013	1.7%
Kanawha	172,525,101	58.9%	13,948,768	4.8%	6,453,376	2.2%	3,179,431	1.1%
Lewis	14,889,776	52.5%	1,479,754	5.2%	921,663	3.3%	397,404	1.4%
Lincoln	23,459,323	58.7%	1,480,291	3.7%	1,830,762	4.6%	1,135,739	2.8%
Logan	37,610,383	57.9%	1,763,846	2.7%	3,376,905	5.2%	855,330	1.3%
Marion	53,086,395	62.8%	2,650,250	3.1%	3,114,339	3.7%	1,354,558	1.6%
Marshall	31,768,338	55.5%	2,668,951	4.7%	959,109	1.7%	4,946,907	8.6%
Mason	26,104,343	57.5%	1,806,737	4.0%	1,826,234	4.0%	706,460	1.6%
McDowell	24,339,685	58.1%	1,272,541	3.0%	1,997,598	4.8%	952,997	2.3%
Mercer	54,790,507	56.9%	3,789,551	3.9%	3,586,197	3.7%	1,034,441	1.1%
Mineral	25,873,521	54.3%	2,770,871	5.8%	1,453,650	3.1%	898,570	1.9%
Mingo	30,009,788	58.1%	1,393,098	2.7%	2,485,792	4.8%	1,184,131	2.3%
Monongalia	63,055,268	57.9%	5,670,473	5.2%	2,804,862	2.6%	1,692,218	1.6%
Monroe	10,901,699	55.8%	777,250	4.0%	407,052	2.1%	618,077	3.2%
Morgan	14,450,933	53.2%	1,258,439	4.6%	1,495,071	5.5%	518,049	1.9%
Nicholas	21,621,623	57.0%	1,299,681	3.4%	1,542,542	4.1%	1,041,186	2.7%
Ohio	33,708,851	58.2%	2,926,029	5.1%	1,945,932	3.4%	1,105,216	1.9%
Pendleton	6,849,077	53.2%	504,358	3.9%	339,482	2.6%	412,768	3.2%
Pleasants	8,058,661	50.5%	819,424	5.1%	529,618	3.3%	723,236	4.5%
Pocahontas	7,081,816	52.8%	528,672	3.9%	296,364	2.2%	707,673	5.3%
Preston	28,401,813	61.7%	1,800,092	3.9%	1,185,584	2.6%	946,087	2.1%
Putnam	55,261,504	58.1%	3,141,217	3.3%	2,966,761	3.1%	1,379,429	1.5%
Raleigh	68,047,314	55.0%	7,068,146	5.7%	4,452,414	3.6%	2,560,782	2.1%
Randolph	26,366,415	59.6%	1,200,995	2.7%	1,343,786	3.0%	847,234	1.9%
Ritchie	10,222,574	57.2%	500,237	2.8%	532,023	3.0%	950,224	5.3%
Roane	13,282,682	55.2%	1,059,661	4.4%	755,728	3.1%	537,877	2.2%
Summers	8,982,747	58.7%	492,726	3.2%	594,226	3.9%	337,316	2.2%
Taylor	12,083,602	56.0%	758,522	3.5%	633,382	2.9%	719,189	3.3%
Tucker	6,021,301	55.1%	337,547	3.1%	325,037	3.0%	247,548	2.3%
Tyler	9,321,095	51.4%	547,387	3.0%	296,673	1.6%	865,134	4.8%
Upshur	22,997,012	58.3%	1,531,537	3.9%	1,282,254	3.3%	755,674	1.9%
Wayne	46,141,817	60.8%	1,411,664	1.9%	3,842,073	5.1%	498,233	0.7%
Webster	9,939,018	62.4%	357,965	2.3%	341,837	2.2%	354,336	2.2%
Wetzel	18,465,375	57.1%	1,705,592	5.3%	1,105,786	3.4%	830,260	2.6%
Wirt	5,470,598	53.9%	548,315	5.4%	523,959	5.2%	357,820	3.5%
Wood	84,525,531	62.5%	6,635,387	4.9%	4,712,906	3.5%	1,398,463	1.0%
Wyoming	23,769,654	55.1%	1,473,018	3.4%	1,499,717	3.5%	1,009,262	2.3%
Total	1,681,139,647	57.7%	123,045,689	4.2%	99,540,415	3.4%	58,456,064	2.0%

OSF3
07/25/11
Current Exp by Function 10

**COUNTY BOARDS OF EDUCATION
EXPENDITURES FOR CURRENT OPERATIONS
CLASSIFIED BY FUNCTION
FOR THE 2009-10 YEAR**

County	Support Services							
	School Administration		Central Services		Oper. & Maint. of Facilities		Student Transportation	
	Amount	Pct.	Amount	Pct.	Amount	Pct.	Amount	Pct.
Barbour	1,266,497	5.4%	294,654	1.3%	2,327,240	9.9%	2,327,202	9.9%
Berkeley	9,700,256	5.6%	3,219,454	1.9%	15,597,304	9.1%	15,694,399	9.1%
Boone	2,942,229	5.4%	2,697,337	4.9%	7,298,900	13.4%	4,067,003	7.5%
Braxton	1,532,892	6.4%	372,589	1.5%	2,173,416	9.0%	2,435,455	10.1%
Brooke	2,134,786	5.9%	364,735	1.0%	4,721,268	13.0%	2,641,847	7.3%
Cabell	6,059,823	4.7%	1,568,033	1.2%	14,353,256	11.1%	9,335,038	7.2%
Calhoun	595,237	5.4%	155,632	1.4%	1,180,280	10.6%	1,242,077	11.2%
Clay	969,018	4.9%	292,080	1.5%	1,735,057	8.8%	2,226,170	11.3%
Doddridge	617,077	4.7%	333,180	2.5%	1,486,081	11.2%	1,432,436	10.8%
Fayette	4,239,871	5.9%	1,901,326	2.7%	7,587,392	10.6%	6,085,578	8.5%
Gilmer	758,896	6.7%	169,638	1.5%	1,926,063	17.1%	971,340	8.6%
Grant	770,484	4.5%	224,918	1.3%	1,620,219	9.4%	1,491,937	8.6%
Greenbrier	2,743,654	4.9%	456,313	0.8%	6,648,027	11.7%	5,209,032	9.2%
Hampshire	1,747,709	5.1%	809,002	2.4%	3,245,110	9.5%	3,484,595	10.2%
Hancock	2,409,679	5.7%	932,231	2.2%	5,117,109	12.0%	3,237,068	7.6%
Hardy	724,276	3.5%	306,750	1.5%	1,888,210	9.2%	1,858,371	9.1%
Harrison	6,108,400	5.2%	2,295,602	2.0%	13,797,182	11.7%	8,750,655	7.4%
Jackson	3,043,561	6.0%	372,478	0.7%	6,601,955	13.0%	4,720,437	9.3%
Jefferson	4,840,411	5.2%	2,983,484	3.2%	9,640,912	10.4%	7,831,440	8.4%
Kanawha	15,825,096	5.4%	7,469,844	2.6%	34,699,181	11.8%	15,255,471	5.2%
Lewis	1,245,333	4.4%	685,493	2.4%	4,232,109	14.9%	2,603,015	9.2%
Lincoln	1,896,350	4.8%	545,393	1.4%	3,133,103	7.8%	3,831,737	9.6%
Logan	3,032,752	4.7%	1,158,350	1.8%	7,573,091	11.7%	5,806,434	8.9%
Marion	4,392,875	5.2%	1,359,492	1.6%	8,952,508	10.6%	5,646,563	6.7%
Marshall	2,786,193	4.9%	1,105,070	1.9%	5,462,770	9.5%	4,685,091	8.2%
Mason	2,589,720	5.7%	521,713	1.2%	4,864,768	10.7%	4,388,862	9.7%
McDowell	1,961,959	4.7%	659,163	1.6%	4,240,278	10.1%	3,920,842	9.4%
Mercer	5,769,869	6.0%	1,632,366	1.7%	12,541,002	13.0%	7,325,238	7.6%
Mineral	2,752,662	5.8%	902,056	1.9%	5,500,621	11.6%	4,483,354	9.4%
Mingo	2,908,073	5.6%	408,291	0.8%	5,904,817	11.4%	4,578,509	8.9%
Monongalia	5,575,659	5.1%	2,419,966	2.2%	12,507,626	11.5%	8,542,499	7.8%
Monroe	945,821	4.8%	239,775	1.2%	1,973,731	10.1%	2,039,387	10.4%
Morgan	1,728,350	6.4%	515,467	1.9%	2,754,476	10.1%	2,649,667	9.8%
Nicholas	1,775,782	4.7%	503,316	1.3%	4,070,061	10.7%	3,727,339	9.8%
Ohio	3,230,282	5.6%	915,378	1.6%	6,788,178	11.7%	3,772,776	6.5%
Pendleton	591,385	4.6%	276,881	2.2%	1,846,550	14.3%	1,311,967	10.2%
Pleasants	987,588	6.2%	500,652	3.1%	2,016,863	12.7%	1,353,962	8.5%
Pocahontas	680,618	5.1%	1,858	0.0%	1,555,703	11.6%	1,833,933	13.7%
Preston	1,907,941	4.1%	413,387	0.9%	5,068,312	11.0%	4,146,817	9.0%
Putnam	5,851,733	6.2%	2,320,232	2.4%	10,395,648	10.9%	7,486,369	7.9%
Raleigh	6,335,408	5.1%	1,853,819	1.5%	13,943,943	11.3%	11,827,828	9.6%
Randolph	2,508,356	5.7%	435,708	1.0%	5,514,950	12.5%	3,374,383	7.6%
Ritchie	946,619	5.3%	172,417	1.0%	2,029,472	11.4%	1,486,310	8.3%
Roane	1,069,330	4.4%	379,657	1.6%	2,207,209	9.2%	2,980,303	12.4%
Summers	624,840	4.1%	338,365	2.2%	1,393,901	9.1%	1,628,187	10.6%
Taylor	967,554	4.5%	463,788	2.2%	2,476,057	11.5%	2,120,727	9.8%
Tucker	577,311	5.3%	250,272	2.3%	1,487,871	13.6%	998,116	9.1%
Tyler	816,236	4.5%	329,069	1.8%	2,826,720	15.6%	2,027,143	11.2%
Upshur	2,063,868	5.2%	475,891	1.2%	4,929,576	12.5%	3,532,674	9.0%
Wayne	3,183,975	4.2%	1,054,221	1.4%	9,052,990	11.9%	6,218,868	8.2%
Webster	832,719	5.2%	242,386	1.5%	1,441,496	9.1%	1,564,183	9.8%
Wetzel	1,838,364	5.7%	364,749	1.1%	3,679,183	11.4%	2,646,907	8.2%
Wirt	454,165	4.5%	228,596	2.3%	997,969	9.8%	952,601	9.4%
Wood	6,571,744	4.9%	2,174,580	1.6%	13,892,239	10.3%	7,310,660	5.4%
Wyoming	2,407,795	5.6%	698,968	1.6%	6,156,158	14.3%	3,342,422	7.7%
Total	152,839,081	5.3%	53,766,066	1.9%	327,056,113	11.2%	236,443,225	8.1%

OSF3
07/25/11
Current Exp by

**COUNTY BOARDS OF EDUCATION
EXPENDITURES FOR CURRENT OPERATIONS
CLASSIFIED BY FUNCTION
FOR THE 2009-10 YEAR**

County	Support Services				Total Expendures Current Operations
	Food Service Operations		Community Service Operations		
	Amount	Pct.	Amount	Pct.	
Barbour	1,427,978	6.1%	-	0.0%	23,466,589
Berkeley	10,249,687	6.0%	837,574	0.5%	171,921,654
Boone	2,847,042	5.2%	9,587	0.0%	54,623,901
Braxton	1,202,421	5.0%	38,409	0.2%	24,131,718
Brooke	1,756,233	4.8%	136,107	0.4%	36,282,058
Cabell	7,879,077	6.1%	1,693,622	1.3%	128,897,913
Calhoun	628,263	5.7%	45,338	0.4%	11,127,505
Clay	1,670,970	8.5%	56,616	0.3%	19,764,355
Doddridge	832,365	6.3%	27,165	0.2%	13,271,070
Fayette	3,812,990	5.3%	49,095	0.1%	71,853,676
Gilmer	659,094	5.9%	25,000	0.2%	11,260,467
Grant	1,180,694	6.8%	2,043	0.0%	17,298,025
Greenbrier	3,192,574	5.6%	124,202	0.2%	56,617,161
Hampshire	2,074,507	6.1%	-	0.0%	34,167,784
Hancock	1,689,281	4.0%	102,358	0.2%	42,664,957
Hardy	1,540,280	7.5%	222,323	1.1%	20,503,819
Harrison	6,825,992	5.8%	221,114	0.2%	117,735,394
Jackson	2,750,362	5.4%	82,449	0.2%	50,782,367
Jefferson	5,035,280	5.4%	75,000	0.1%	93,071,659
Kanawha	18,746,774	6.4%	4,937,290	1.7%	293,040,331
Lewis	1,794,316	6.3%	107,431	0.4%	28,356,294
Lincoln	2,378,852	6.0%	268,245	0.7%	39,959,795
Logan	3,455,132	5.3%	346,666	0.5%	64,978,889
Marion	3,926,120	4.6%	74,611	0.1%	84,557,711
Marshall	2,839,687	5.0%	61,866	0.1%	57,283,983
Mason	2,583,544	5.7%	40,000	0.1%	45,432,381
McDowell	2,462,659	5.9%	62,037	0.2%	41,869,758
Mercer	5,663,921	5.9%	244,487	0.3%	96,377,579
Mineral	2,917,021	6.1%	63,321	0.1%	47,615,645
Mingo	2,618,316	5.1%	140,091	0.3%	51,630,905
Monongalia	5,841,264	5.4%	844,998	0.8%	108,954,833
Monroe	1,121,285	5.7%	526,883	2.7%	19,550,961
Morgan	1,674,841	6.2%	125,418	0.5%	27,170,714
Nicholas	2,290,407	6.0%	95,093	0.3%	37,967,029
Ohio	3,024,293	5.2%	503,358	0.9%	57,920,291
Pendleton	731,297	5.7%	15,300	0.1%	12,879,066
Pleasants	931,144	5.8%	26,655	0.2%	15,947,804
Pocahontas	695,374	5.2%	31,823	0.2%	13,413,833
Preston	2,163,679	4.7%	1,667	0.0%	46,035,380
Putnam	6,203,139	6.5%	180,020	0.2%	95,186,051
Raleigh	7,032,240	5.7%	596,336	0.5%	123,718,230
Randolph	2,649,032	6.0%	192	0.0%	44,241,052
Ritchie	998,030	5.6%	30,538	0.2%	17,868,446
Roane	1,725,134	7.2%	66,687	0.3%	24,064,268
Summers	832,696	5.4%	90,888	0.6%	15,315,894
Taylor	1,282,074	5.9%	68,987	0.3%	21,573,882
Tucker	690,318	6.3%	-	0.0%	10,935,321
Tyler	1,053,525	5.8%	50,400	0.3%	18,133,382
Upshur	1,759,588	4.5%	110,372	0.3%	39,438,446
Wayne	4,450,841	5.9%	58,229	0.1%	75,912,912
Webster	848,369	5.3%	12,408	0.1%	15,934,717
Wetzel	1,713,450	5.3%	18,000	0.1%	32,367,667
Wirt	616,740	6.1%	2,676	0.0%	10,153,438
Wood	7,450,696	5.5%	480,722	0.4%	135,152,928
Wyoming	2,665,009	6.2%	140,015	0.3%	43,162,018
Total	167,085,893	5.7%	14,171,712	0.5%	2,913,543,905

OSF3
07/25/11
Current Exp by

**COUNTY BOARDS OF EDUCATION
PER PUPIL EXPENDITURES FOR CURRENT OPERATIONS
FOR THE 2009-10 YEAR**

County	Per Pupil Expenditures
Barbour	10,065.36
Berkeley	10,066.94
Boone	11,819.60
Braxton	11,290.87
Brooke	10,944.39
Cabell	10,597.03
Calhoun	10,800.58
Clay	10,939.42
Doddridge	13,107.37
Fayette	11,019.40
Gilmer	13,092.04
Grant	9,644.68
Greenbrier	10,961.19
Hampshire	9,786.40
Hancock	10,847.19
Hardy	9,441.40
Harrison	11,034.47
Jackson	10,487.71
Jefferson	10,955.27
Kanawha	10,283.14
Lewis	10,803.99
Lincoln	11,455.94
Logan	10,374.32
Marion	10,704.08
Marshall	12,083.99
Mason	10,964.12
McDowell	12,381.68
Mercer	10,483.85
Mineral	11,020.97
Mingo	11,683.25
Monongalia	10,443.26
Monroe	10,266.67
Morgan	10,409.36
Nicholas	10,889.78
Ohio	11,464.71
Pendleton	11,677.16
Pleasants	13,225.77
Pocahontas	11,589.16
Preston	10,163.10
Putnam	10,195.62
Raleigh	10,526.91
Randolph	10,482.96
Ritchie	11,309.70
Roane	10,096.25
Summers	10,152.25
Taylor	10,093.70
Tucker	11,433.68
Tyler	12,177.59
Upshur	10,677.61
Wayne	10,462.51
Webster	10,760.28
Wetzel	11,956.29
Wirt	10,673.57
Wood	10,209.29
Wyoming	11,755.53
Total	10,707.32

Notes: (a) The methodology used for calculating expenditures on a per pupil basis conforms with the methodology used by the National Center for Education Statistics (NCES). (b) The enrollments used are second month student (headcount) enrollments. (c) All expenditures by county boards are included except those for capital improvements, debt service, community services, adult education, transits/transfers and the expenses being recorded for other post-employment benefits (OPEB) pursuant to WVC §5-16D-6 in excess of the minimum annual employer payment (pay-go) established by the PEIA Finance Board. (d) Beginning with FY10, included is the portion of the legislative appropriation for the Teachers' Retirement System in excess of the employers' contribution rates of 7.5% or 15%, depending on the retirement plan, which is considered to be the State's annual required contribution towards the past service unfunded liability. (e) RESA expenditures are not included and expenditures of the seven MCVCs are allocated among the 20 county boards served by each MCVC. (f) The per pupil expenditure calculation for 2010 was revised for comparability to include the legislative appropriation for the unfunded retirement liability and to exclude OPEB beyond the pay-go portion.

OSF
07/20/12
Per Pupil Expenditures 2010 - Revised

**COUNTY BOARDS OF EDUCATION
EXPENDITURES FOR SALARIES AND EMPLOYEE BENEFITS
FOR THE 2009-10 YEAR**

County	Regular Prof Pers Salaries	Regular Serv Pers Salaries	Substitute Prof Pers Salaries	Substitute Serv Pers Salaries	Temporary Part-time Prof Pers	Temporary Part-time Serv Pers
Barbour	9,781,846	3,038,937	243,803	136,376	-	-
Berkeley	74,656,153	23,795,170	2,094,200	1,539,702	766,581	-
Boone	22,465,460	6,573,496	917,978	527,214	-	-
Braxton	10,328,200	3,040,294	295,118	130,308	-	-
Brooke	15,286,184	4,669,305	483,172	340,839	-	9,270
Cabell	52,535,916	15,327,720	1,734,127	764,029	613,044	623,935
Calhoun	4,843,978	1,625,299	202,170	63,854	32,555	-
Clay	8,411,876	2,883,227	96,487	155,460	-	-
Doddridge	5,826,982	1,914,313	184,653	110,034	5,126	-
Fayette	29,112,452	9,351,751	1,472,650	670,608	54,901	31,480
Gilmer	4,107,549	1,266,951	139,847	51,538	56,370	30,200
Grant	7,809,547	2,436,095	331,794	130,094	49,119	31,628
Greenbrier	22,294,326	7,717,202	1,158,292	592,840	41,434	-
Hampshire	13,069,736	4,557,430	619,938	236,855	132,188	42,452
Hancock	19,303,450	5,767,265	652,518	360,001	94,629	-
Hardy	8,583,984	2,577,778	245,879	149,792	214,989	9,266
Harrison	50,052,314	16,191,836	1,301,308	592,494	109,267	7,051
Jackson	22,257,636	7,148,731	705,043	343,424	25,175	83,085
Jefferson	37,303,718	12,364,539	1,750,423	1,162,731	-	73,905
Kanawha	123,325,190	37,626,461	3,970,880	1,914,364	1,421,723	1,886,948
Lewis	11,312,502	4,037,200	334,021	215,433	7,213	-
Lincoln	15,233,610	4,703,194	1,249,957	443,806	-	13,505
Logan	26,101,802	9,103,854	643,627	356,351	197,245	142,591
Marion	34,677,334	11,666,566	1,332,441	593,389	(93)	-
Marshall	22,735,180	7,708,205	852,353	420,630	360	-
Mason	17,799,509	6,108,664	1,596,619	459,981	287,467	4,453
McDowell	16,252,311	5,904,100	1,346,425	360,110	80,808	5,523
Mercer	38,765,551	11,745,936	2,700,463	1,238,505	-	-
Mineral	19,417,022	6,578,061	593,964	363,528	42,019	137,368
Mingo	20,837,850	6,461,324	1,110,062	715,597	44,896	123,385
Monongalia	45,462,578	14,255,534	1,576,440	767,303	25,406	180,966
Monroe	8,221,153	2,919,420	348,416	206,607	103,594	27,797
Morgan	10,843,317	3,504,876	420,568	213,481	58,898	28,463
Nicholas	17,251,758	5,666,468	555,899	314,875	135,312	31,228
Ohio	23,445,154	7,465,156	841,329	513,344	26,047	87,474
Pendleton	4,975,566	1,666,285	119,208	68,888	19,349	3,752
Pleasants	6,686,495	2,390,484	281,106	157,446	-	-
Pocahontas	5,280,132	1,967,485	197,402	107,904	27,170	-
Preston	19,356,563	5,678,495	605,536	235,930	114	11,675
Putnam	41,284,915	12,266,097	1,929,526	697,977	265,015	-
Raleigh	50,924,430	14,836,978	2,373,766	1,238,477	172,559	54,643
Randolph	18,830,692	4,948,930	704,603	370,746	2,268	-
Ritchie	7,063,215	2,438,306	241,529	134,607	69,287	-
Roane	9,813,636	3,328,078	424,791	165,568	-	4,955
Summers	6,776,569	1,904,685	161,084	33,590	15,312	-
Taylor	9,517,647	3,074,541	460,462	198,433	-	14,992
Tucker	4,683,510	1,602,518	162,681	74,009	2,560	-
Tyler	6,908,932	2,179,474	163,102	173,259	-	-
Upshur	16,412,996	4,938,736	652,419	218,565	6,810	3,730
Wayne	30,199,891	9,779,177	747,854	877,717	7,251	18,480
Webster	6,778,263	2,073,094	174,489	72,988	-	-
Wetzel	13,226,862	4,040,827	610,465	187,638	-	-
Wirt	4,181,888	1,263,287	158,943	57,258	8,303	-
Wood	55,214,991	18,083,952	2,270,577	1,179,902	1,719,836	756,639
Wyoming	19,446,299	5,560,297	746,954	394,826	34,025	-
Total	1,207,276,619	381,724,085	47,289,358	23,801,225	6,976,131	4,480,839

OSF
08/02/11
PersExp10

**COUNTY BOARDS OF EDUCATION
EXPENDITURES FOR SALARIES AND EMPLOYEE BENEFITS
FOR THE 2009-10 YEAR**

County	Board Members Salaries	Students Salaries	Health Insurance	Social Security Contributions	Retirement Contributions	Tuition Reimbursement
Barbour	23,520	9,655	4,832,106	967,056	1,302,285	10,414
Berkeley	21,760	8,306	32,696,583	7,664,966	8,720,193	107,657
Boone	36,800	-	9,850,894	2,296,853	2,960,510	10,501
Braxton	26,880	6,960	4,809,778	1,007,776	1,239,292	19,510
Brooke	38,560	2,058	6,869,188	1,531,687	2,128,425	3,690
Cabell	38,260	19,611	22,561,761	5,318,889	6,759,685	26,411
Calhoun	18,400	20,336	2,295,939	496,482	634,895	3,884
Clay	20,800	27,985	1,890,656	845,763	1,081,301	-
Doddridge	21,920	-	1,334,493	590,101	793,738	6,691
Fayette	29,600	-	15,225,939	3,000,078	3,797,660	9,746
Gilmer	31,200	528	1,721,844	427,153	496,304	3,373
Grant	16,640	10,323	3,558,732	799,118	1,040,506	2,364
Greenbrier	24,640	23,986	11,452,786	2,343,011	3,014,606	2,028
Hampshire	35,040	3,391	6,361,239	1,374,050	1,726,583	8,848
Hancock	39,200	-	4,623,272	1,948,939	2,625,762	2,041
Hardy	23,840	-	3,710,546	870,398	1,116,600	7,986
Harrison	42,720	-	21,464,750	5,022,241	6,782,229	-
Jackson	27,040	66,709	9,775,674	2,261,709	2,970,263	3,090
Jefferson	27,680	4,147	16,066,863	3,895,585	4,646,987	19,105
Kanawha	40,000	22,736	52,278,821	12,650,921	15,666,984	20,499
Lewis	37,120	-	5,196,024	1,180,112	1,491,669	3,170
Lincoln	23,680	7,380	7,103,037	1,594,862	2,135,707	14,550
Logan	21,900	-	11,666,036	2,704,506	3,530,453	10,193
Marion	29,120	-	16,187,650	3,539,901	5,457,415	24,000
Marshall	36,480	26,000	11,248,209	2,376,324	3,178,582	3,222
Mason	33,440	3,778	8,445,351	2,031,993	2,264,338	12,855
McDowell	22,880	-	6,757,596	1,808,016	2,516,233	13,187
Mercer	30,400	-	17,951,813	4,094,008	5,408,829	269,366
Mineral	29,120	13,662	8,560,161	2,007,937	2,797,890	14,223
Mingo	13,440	-	9,065,619	2,209,766	2,561,455	5,905
Monongalia	36,800	-	20,108,218	4,608,515	6,002,792	4,000
Monroe	31,520	19,391	2,058,834	874,184	1,051,815	12,855
Morgan	20,800	4,899	4,972,973	1,114,564	1,317,165	56,241
Nicholas	35,840	6,084	4,028,476	1,759,245	2,316,124	-
Ohio	28,960	-	10,393,462	2,393,355	3,159,893	9,853
Pendleton	17,920	-	2,471,900	491,456	726,215	1,446
Pleasants	26,320	-	3,016,749	705,194	944,742	1,878
Pocahontas	25,760	-	2,566,516	559,669	740,973	3,535
Preston	18,080	562	8,832,124	1,898,982	2,578,886	20,602
Putnam	20,000	-	17,022,323	4,189,179	5,310,963	18,437
Raleigh	27,360	-	21,176,427	5,178,979	6,562,801	42,775
Randolph	25,920	-	7,997,311	1,827,145	2,586,726	29,180
Ritchie	29,280	102,249	3,170,430	741,530	874,731	819
Roane	11,520	7,006	4,737,311	1,006,539	1,346,395	-
Summers	24,160	-	2,997,608	658,199	949,612	8,000
Taylor	31,680	-	2,657,044	889,096	1,357,583	3,912
Tucker	18,080	-	1,197,699	479,662	636,090	2,238
Tyler	24,365	-	3,089,360	692,499	1,004,346	17,457
Upshur	19,200	-	7,789,588	1,640,279	2,249,396	48,689
Wayne	17,440	-	14,575,408	3,076,584	3,731,917	59,709
Webster	19,200	-	3,019,358	666,931	897,852	21,067
Wetzel	22,720	-	5,784,773	1,328,923	1,882,336	2,734
Wirt	17,760	497	2,082,151	418,543	506,556	2,828
Wood	31,200	56,132	24,449,282	5,934,311	7,861,616	94,449
Wyoming	25,920	-	4,202,693	1,988,387	3,205,928	32,862
Total	1,469,885	474,372	519,961,378	123,982,152	160,650,828	1,134,073

OSF
08/02/11
PersExp10

**COUNTY BOARDS OF EDUCATION
EXPENDITURES FOR SALARIES AND EMPLOYEE BENEFITS
FOR THE 2009-10 YEAR**

County	Unemployment Compensation	Workers Compensation	Other Employee Benefits	Total Salary Expenditures	Total Employee Benefit Expenditures	Total Expenditures
Barbour	13,258	129,211	-	\$ 13,234,137	\$ 7,254,330	\$ 20,488,467
Berkeley	59,613	636,193	36,591	102,881,872	49,921,795	152,803,668
Boone	6,948	498,706	-	30,520,949	15,624,412	46,145,361
Braxton	69	101,395	-	13,827,760	7,177,819	21,005,579
Brooke	6,102	213,860	-	20,829,388	10,752,951	31,582,339
Cabell	36,872	818,032	-	71,656,641	35,521,649	107,178,290
Calhoun	1,448	62,551	-	6,806,593	3,495,199	10,301,792
Clay	1,736	175,097	-	11,595,835	3,994,553	15,590,387
Doddridge	872	110,990	(1,648)	8,063,028	2,835,237	10,898,265
Fayette	45,408	537,662	-	40,723,442	22,616,493	63,339,936
Gilmer	3,802	69,623	-	5,684,183	2,722,098	8,406,280
Grant	37,470	121,889	-	10,815,240	5,560,080	16,375,320
Greenbrier	13,414	358,420	-	31,852,721	17,184,265	49,036,987
Hampshire	31,650	239,212	-	18,697,030	9,741,583	28,438,612
Hancock	7,012	356,488	-	26,217,062	9,563,514	35,780,576
Hardy	31,245	130,047	-	11,805,529	5,866,822	17,672,351
Harrison	20,050	772,707	-	68,296,990	34,061,976	102,358,966
Jackson	13,489	409,456	-	30,656,844	15,433,680	46,090,524
Jefferson	56,504	654,588	-	52,687,143	25,339,632	78,026,775
Kanawha	98,329	1,701,607	-	170,208,302	82,417,160	252,625,463
Lewis	3,188	146,260	1,958	15,943,489	8,022,382	23,965,871
Lincoln	16,276	280,827	147,314	21,675,131	11,292,573	32,967,704
Logan	13,087	661,150	-	36,567,369	18,585,425	55,152,794
Marion	25,051	608,236	-	48,298,757	25,842,254	74,141,011
Marshall	16,791	283,056	-	31,779,207	17,106,184	48,885,391
Mason	19,326	229,077	-	26,293,912	13,002,940	39,296,852
McDowell	50,644	405,152	-	23,972,157	11,550,829	35,522,986
Mercer	41,100	816,877	682,420	54,480,855	29,264,413	83,745,268
Mineral	9,523	240,413	-	27,174,744	13,630,148	40,804,891
Mingo	25,415	587,001	-	29,306,555	14,455,161	43,761,715
Monongalia	10,105	763,235	-	62,305,025	31,496,865	93,801,891
Monroe	33,919	118,534	7,563	11,877,897	4,157,704	16,035,602
Morgan	1,484	168,872	-	15,095,301	7,631,299	22,726,600
Nicholas	25,319	340,705	-	23,997,464	8,469,869	32,467,333
Ohio	10,599	528,508	-	32,407,463	16,495,670	48,903,133
Pendleton	687	51,319	-	6,870,968	3,743,023	10,613,990
Pleasants	1,614	97,465	91,399	9,541,849	4,859,041	14,400,890
Pocahontas	5,633	88,362	-	7,605,854	3,964,689	11,570,542
Preston	24,146	261,371	-	25,906,956	13,616,112	39,523,068
Putnam	10,601	552,595	532,346	56,463,529	27,636,443	84,099,972
Raleigh	5,643	1,223,562	-	69,628,213	34,190,187	103,818,400
Randolph	7,011	412,814	-	24,883,159	12,860,187	37,743,346
Ritchie	2,034	89,251	81,141	10,078,473	4,959,937	15,038,409
Roane	3,967	119,509	-	13,755,553	7,213,720	20,969,273
Summers	2,158	108,227	-	8,915,399	4,723,804	13,639,203
Taylor	1,440	102,104	-	13,297,754	5,011,179	18,308,933
Tucker	8,036	88,423	1,436	6,543,358	2,413,584	8,956,942
Tyler	5,117	88,417	-	9,449,131	4,897,196	14,346,327
Upshur	15,652	222,649	-	22,252,456	11,966,253	34,218,710
Wayne	21,327	467,156	-	41,647,811	21,932,099	63,579,910
Webster	12,999	164,496	-	9,118,035	4,782,704	13,900,739
Wetzel	4,961	169,488	-	18,088,512	9,173,215	27,261,727
Wirt	11,095	55,846	-	5,687,936	3,077,018	8,764,954
Wood	37,080	1,149,916	262,267	79,313,230	39,788,920	119,102,150
Wyoming	16,873	248,858	-	26,208,322	9,695,600	35,903,921
Total	985,195	20,037,460	1,842,787	\$1,673,492,513	\$828,593,874	\$2,502,086,387

OSF
08/02/11
PersExp10

**COUNTY BOARDS OF EDUCATION
PROFESSIONAL PERSONNEL SUBSTITUTE SALARY EXPENDITURES AS A
PERCENT OF REGULAR PROFESSIONAL PERSONNEL SALARY EXPENDITURES
FOR THE 2009-10 YEAR**

County	Regular Personnel (Object 11)	Substitute Personnel (Object 13)	Percent Substitute of Regular
Barbour	9,781,846	243,803	2.5%
Berkeley	74,656,153	2,094,200	2.8%
Boone	22,465,460	917,978	4.1%
Braxton	10,328,200	295,118	2.9%
Brooke	15,286,184	483,172	3.2%
Cabell	52,535,916	1,734,127	3.3%
Calhoun	4,843,978	202,170	4.2%
Clay	8,411,876	96,487	1.1%
Doddridge	5,826,982	184,653	3.2%
Fayette	29,112,452	1,472,650	5.1%
Gilmer	4,107,549	139,847	3.4%
Grant	7,809,547	331,794	4.2%
Greenbrier	22,294,326	1,158,292	5.2%
Hampshire	13,069,736	619,938	4.7%
Hancock	19,303,450	652,518	3.4%
Hardy	8,583,984	245,879	2.9%
Harrison	50,052,314	1,301,308	2.6%
Jackson	22,257,636	705,043	3.2%
Jefferson	37,303,718	1,750,423	4.7%
Kanawha	123,325,190	3,970,880	3.2%
Lewis	11,312,502	334,021	3.0%
Lincoln	15,233,610	1,249,957	8.2%
Logan	26,101,802	643,627	2.5%
Marion	34,677,334	1,332,441	3.8%
Marshall	22,735,180	852,353	3.7%
Mason	17,799,509	1,596,619	9.0%
McDowell	16,252,311	1,346,425	8.3%
Mercer	38,765,551	2,700,463	7.0%
Mineral	19,417,022	593,964	3.1%
Mingo	20,837,850	1,110,062	5.3%
Monongalia	45,462,578	1,576,440	3.5%
Monroe	8,221,153	348,416	4.2%
Morgan	10,843,317	420,568	3.9%
Nicholas	17,251,758	555,899	3.2%
Ohio	23,445,154	841,329	3.6%
Pendleton	4,975,566	119,208	2.4%
Pleasants	6,686,495	281,106	4.2%
Pocahontas	5,280,132	197,402	3.7%
Preston	19,356,563	605,536	3.1%
Putnam	41,284,915	1,929,526	4.7%
Raleigh	50,924,430	2,373,766	4.7%
Randolph	18,830,692	704,603	3.7%
Ritchie	7,063,215	241,529	3.4%
Roane	9,813,636	424,791	4.3%
Summers	6,776,569	161,084	2.4%
Taylor	9,517,647	460,462	4.8%
Tucker	4,683,510	162,681	3.5%
Tyler	6,908,932	163,102	2.4%
Upshur	16,412,996	652,419	4.0%
Wayne	30,199,891	747,854	2.5%
Webster	6,778,263	174,489	2.6%
Wetzel	13,226,862	610,465	4.6%
Wirt	4,181,888	158,943	3.8%
Wood	55,214,991	2,270,577	4.1%
Wyoming	19,446,299	746,954	3.8%
Total	1,207,276,619	47,289,358	3.9%

Note: Does not include RESA expenditures.

OSF2

07/26/11

Salary and Sub Expenditures 10

**COUNTY BOARDS OF EDUCATION
PROFESSIONAL PERSONNEL SUBSTITUTE SALARY EXPENDITURES AS A
PERCENT OF REGULAR PROFESSIONAL PERSONNEL SALARY EXPENDITURES
ARRANGED IN ASCENDING ORDER BY PERCENT
FOR THE 2009-10 YEAR**

Ct.	County	Regular Personnel (Object 11)	Substitute Personnel (Object 13)	Percent Substitute of Regular
1.	Clay	8,411,876	96,487	1.1%
2.	Pendleton	4,975,566	119,208	2.4%
3.	Summers	6,776,569	161,084	2.4%
4.	Tyler	6,908,932	163,102	2.4%
5.	Barbour	9,781,846	243,803	2.5%
6.	Logan	26,101,802	643,627	2.5%
7.	Wayne	30,199,891	747,854	2.5%
8.	Harrison	50,052,314	1,301,308	2.6%
9.	Webster	6,778,263	174,489	2.6%
10.	Berkeley	74,656,153	2,094,200	2.8%
11.	Braxton	10,328,200	295,118	2.9%
12.	Hardy	8,583,984	245,879	2.9%
13.	Lewis	11,312,502	334,021	3.0%
14.	Mineral	19,417,022	593,964	3.1%
15.	Preston	19,356,563	605,536	3.1%
16.	Brooke	15,286,184	483,172	3.2%
17.	Doddridge	5,826,982	184,653	3.2%
18.	Jackson	22,257,636	705,043	3.2%
19.	Kanawha	123,325,190	3,970,880	3.2%
20.	Nicholas	17,251,758	555,899	3.2%
21.	Cabell	52,535,916	1,734,127	3.3%
22.	Gilmer	4,107,549	139,847	3.4%
23.	Hancock	19,303,450	652,518	3.4%
24.	Ritchie	7,063,215	241,529	3.4%
25.	Monongalia	45,462,578	1,576,440	3.5%
26.	Tucker	4,683,510	162,681	3.5%
27.	Ohio	23,445,154	841,329	3.6%
28.	Marshall	22,735,180	852,353	3.7%
29.	Pocahontas	5,280,132	197,402	3.7%
30.	Randolph	18,830,692	704,603	3.7%
31.	Marion	34,677,334	1,332,441	3.8%
32.	Wirt	4,181,888	158,943	3.8%
33.	Wyoming	19,446,299	746,954	3.8%
34.	Morgan	10,843,317	420,568	3.9%
35.	Upshur	16,412,996	652,419	4.0%
36.	Boone	22,465,460	917,978	4.1%
37.	Wood	55,214,991	2,270,577	4.1%
38.	Calhoun	4,843,978	202,170	4.2%
39.	Grant	7,809,547	331,794	4.2%
40.	Monroe	8,221,153	348,416	4.2%
41.	Pleasants	6,686,495	281,106	4.2%
42.	Roane	9,813,636	424,791	4.3%
43.	Wetzel	13,226,862	610,465	4.6%
44.	Hampshire	13,069,736	619,938	4.7%
45.	Jefferson	37,303,718	1,750,423	4.7%
46.	Putnam	41,284,915	1,929,526	4.7%
47.	Raleigh	50,924,430	2,373,766	4.7%
48.	Taylor	9,517,647	460,462	4.8%
49.	Fayette	29,112,452	1,472,650	5.1%
50.	Greenbrier	22,294,326	1,158,292	5.2%
51.	Mingo	20,837,850	1,110,062	5.3%
52.	Mercer	38,765,551	2,700,463	7.0%
53.	Lincoln	15,233,610	1,249,957	8.2%
54.	McDowell	16,252,311	1,346,425	8.3%
55.	Mason	17,799,509	1,596,619	9.0%
-	Total	1,207,276,619	47,289,358	3.9%

Note: Does not include RESA expenditures.

**COUNTY BOARDS OF EDUCATION
SERVICE PERSONNEL SUBSTITUTE SALARY EXPENDITURES AS A
PERCENT OF REGULAR SERVICE PERSONNEL SALARY EXPENDITURES
FOR THE 2009-10 YEAR**

County	Regular Personnel (Object 12)	Substitute Personnel (Object 14)	Percent Substitute of Regular
Barbour	3,038,937	136,376	4.5%
Berkeley	23,795,170	1,539,702	6.5%
Boone	6,573,496	527,214	8.0%
Braxton	3,040,294	130,308	4.3%
Brooke	4,669,305	340,839	7.3%
Cabell	15,327,720	764,029	5.0%
Calhoun	1,625,299	63,854	3.9%
Clay	2,883,227	155,460	5.4%
Doddridge	1,914,313	110,034	5.7%
Fayette	9,351,751	670,608	7.2%
Gilmer	1,266,951	51,538	4.1%
Grant	2,436,095	130,094	5.3%
Greenbrier	7,717,202	592,840	7.7%
Hampshire	4,557,430	236,855	5.2%
Hancock	5,767,265	360,001	6.2%
Hardy	2,577,778	149,792	5.8%
Harrison	16,191,836	592,494	3.7%
Jackson	7,148,731	343,424	4.8%
Jefferson	12,364,539	1,162,731	9.4%
Kanawha	37,626,461	1,914,364	5.1%
Lewis	4,037,200	215,433	5.3%
Lincoln	4,703,194	443,806	9.4%
Logan	9,103,854	356,351	3.9%
Marion	11,666,566	593,389	5.1%
Marshall	7,708,205	420,630	5.5%
Mason	6,108,664	459,981	7.5%
McDowell	5,904,100	360,110	6.1%
Mercer	11,745,936	1,238,505	10.5%
Mineral	6,578,061	363,528	5.5%
Mingo	6,461,324	715,597	11.1%
Monongalia	14,255,534	767,303	5.4%
Monroe	2,919,420	206,607	7.1%
Morgan	3,504,876	213,481	6.1%
Nicholas	5,666,468	314,875	5.6%
Ohio	7,465,156	513,344	6.9%
Pendleton	1,666,285	68,888	4.1%
Pleasants	2,390,484	157,446	6.6%
Pocahontas	1,967,485	107,904	5.5%
Preston	5,678,495	235,930	4.2%
Putnam	12,266,097	697,977	5.7%
Raleigh	14,836,978	1,238,477	8.3%
Randolph	4,948,930	370,746	7.5%
Ritchie	2,438,306	134,607	5.5%
Roane	3,328,078	165,568	5.0%
Summers	1,904,685	33,590	1.8%
Taylor	3,074,541	198,433	6.5%
Tucker	1,602,518	74,009	4.6%
Tyler	2,179,474	173,259	7.9%
Upshur	4,938,736	218,565	4.4%
Wayne	9,779,177	877,717	9.0%
Webster	2,073,094	72,988	3.5%
Wetzel	4,040,827	187,638	4.6%
Wirt	1,263,287	57,258	4.5%
Wood	18,083,952	1,179,902	6.5%
Wyoming	5,560,297	394,826	7.1%
Total	381,724,085	23,801,225	6.2%

Note: Does not include RESA expenditures.

OSF2

07/26/11

Salary and Sub Expenditures 10

**COUNTY BOARDS OF EDUCATION
SERVICE PERSONNEL SUBSTITUTE SALARY EXPENDITURES AS A
PERCENT OF REGULAR SERVICE PERSONNEL SALARY EXPENDITURES
ARRANGED IN ASCENDING ORDER BY PERCENT
FOR THE 2009-10 YEAR**

Ct.	County	Regular Personnel (Object 12)	Substitute Personnel (Object 14)	Percent Substitute of Regular
1.	Summers	1,904,685	33,590	1.8%
2.	Webster	2,073,094	72,988	3.5%
3.	Harrison	16,191,836	592,494	3.7%
4.	Calhoun	1,625,299	63,854	3.9%
5.	Logan	9,103,854	356,351	3.9%
6.	Gilmer	1,266,951	51,538	4.1%
7.	Pendleton	1,666,285	68,888	4.1%
8.	Preston	5,678,495	235,930	4.2%
9.	Braxton	3,040,294	130,308	4.3%
10.	Upshur	4,938,736	218,565	4.4%
11.	Barbour	3,038,937	136,376	4.5%
12.	Wirt	1,263,287	57,258	4.5%
13.	Tucker	1,602,518	74,009	4.6%
14.	Wetzel	4,040,827	187,638	4.6%
15.	Jackson	7,148,731	343,424	4.8%
16.	Cabell	15,327,720	764,029	5.0%
17.	Roane	3,328,078	165,568	5.0%
18.	Kanawha	37,626,461	1,914,364	5.1%
19.	Marion	11,666,566	593,389	5.1%
20.	Hampshire	4,557,430	236,855	5.2%
21.	Grant	2,436,095	130,094	5.3%
22.	Lewis	4,037,200	215,433	5.3%
23.	Clay	2,883,227	155,460	5.4%
24.	Monongalia	14,255,534	767,303	5.4%
25.	Marshall	7,708,205	420,630	5.5%
26.	Mineral	6,578,061	363,528	5.5%
27.	Pocahontas	1,967,485	107,904	5.5%
28.	Ritchie	2,438,306	134,607	5.5%
29.	Nicholas	5,666,468	314,875	5.6%
30.	Doddridge	1,914,313	110,034	5.7%
31.	Putnam	12,266,097	697,977	5.7%
32.	Hardy	2,577,778	149,792	5.8%
33.	McDowell	5,904,100	360,110	6.1%
34.	Morgan	3,504,876	213,481	6.1%
35.	Hancock	5,767,265	360,001	6.2%
36.	Berkeley	23,795,170	1,539,702	6.5%
37.	Taylor	3,074,541	198,433	6.5%
38.	Wood	18,083,952	1,179,902	6.5%
39.	Pleasants	2,390,484	157,446	6.6%
40.	Ohio	7,465,156	513,344	6.9%
41.	Monroe	2,919,420	206,607	7.1%
42.	Wyoming	5,560,297	394,826	7.1%
43.	Fayette	9,351,751	670,608	7.2%
44.	Brooke	4,669,305	340,839	7.3%
45.	Mason	6,108,664	459,981	7.5%
46.	Randolph	4,948,930	370,746	7.5%
47.	Greenbrier	7,717,202	592,840	7.7%
48.	Tyler	2,179,474	173,259	7.9%
49.	Boone	6,573,496	527,214	8.0%
50.	Raleigh	14,836,978	1,238,477	8.3%
51.	Wayne	9,779,177	877,717	9.0%
52.	Jefferson	12,364,539	1,162,731	9.4%
53.	Lincoln	4,703,194	443,806	9.4%
54.	Mercer	11,745,936	1,238,505	10.5%
55.	Mingo	6,461,324	715,597	11.1%
-	Total	381,724,085	23,801,225	6.2%

Note: Does not include RESA expenditures.

**COUNTY BOARDS OF EDUCATION
EXPENDITURES FOR INSTRUCTIONAL SUPPLIES
2009-10 YEAR**

County	General Supplies	Textbooks, Books and Periodicals	Technology-Related Supplies	Miscellaneous Supplies	Total
Barbour	211,571	249,496	302,181	-	763,249
Berkeley	2,707,157	2,633,701	2,244,686	28,261	7,613,805
Boone	723,115	282,289	1,150,302	9,342	2,165,048
Braxton	267,606	121,830	994,208	-	1,383,643
Brooke	475,633	132,764	405,083	-	1,013,480
Cabell	5,878,825	520,660	4,500,688	-	10,900,173
Calhoun	226,787	34,867	196,795	763	459,213
Clay	606,407	130,036	64,188	-	800,631
Doddridge	193,520	66,551	31,062	-	291,133
Fayette	882,877	749,377	1,428,245	724	3,061,223
Gilmer	260,798	51,532	122,478	-	434,808
Grant	154,363	70,747	195,052	117	420,279
Greenbrier	906,103	465,073	386,706	15,180	1,773,062
Hampshire	581,103	129,926	303,477	5,045	1,019,551
Hancock	516,669	107,660	398,208	-	1,022,537
Hardy	185,088	135,988	227,489	315	548,879
Harrison	2,392,365	461,587	2,648,142	-	5,502,094
Jackson	685,317	537,173	627,009	3,360	1,852,858
Jefferson	1,461,294	754,004	1,197,471	2,496	3,415,266
Kanawha	3,120,524	3,980,999	7,259,382	3,242	14,364,147
Lewis	384,046	131,146	365,960	3,450	884,602
Lincoln	699,353	379,326	540,798	-	1,619,477
Logan	1,023,747	575,378	226,187	70,255	1,895,566
Marion	1,867,214	391,103	2,136,109	-	4,394,426
Marshall	917,643	203,033	1,132,424	-	2,253,100
Mason	889,891	327,341	382,628	-	1,599,860
McDowell	1,662,109	235,628	1,612,703	-	3,510,439
Mercer	1,208,567	863,155	779,380	-	2,851,102
Mineral	511,411	196,494	788,226	-	1,496,132
Mingo	669,694	541,670	687,728	-	1,899,092
Monongalia	1,361,867	631,473	280,061	-	2,273,401
Monroe	470,034	71,734	570,522	340	1,112,630
Morgan	285,292	155,790	239,942	37	681,061
Nicholas	761,860	247,943	507,206	-	1,517,009
Ohio	713,064	490,312	446,057	-	1,649,433
Pendleton	89,601	34,398	60,225	186	184,410
Pleasants	270,690	40,123	414,344	1,073	726,230
Pocahontas	172,227	51,218	172,452	2,221	398,117
Preston	527,903	171,967	506,535	143	1,206,548
Putnam	1,226,810	1,085,330	1,038,868	682	3,351,689
Raleigh	1,425,182	819,467	1,245,694	12,776	3,503,119
Randolph	112,018	172,672	927,038	-	1,211,728
Ritchie	302,515	161,603	449,532	-	913,651
Roane	320,499	106,076	254,731	-	681,306
Summers	131,678	155,810	137,267	1,058	425,813
Taylor	263,453	149,909	258,807	933	673,103
Tucker	278,183	31,841	9,284	-	319,308
Tyler	337,217	130,215	488,667	-	956,098
Upshur	785,398	144,479	825,597	122	1,755,596
Wayne	732,073	324,729	133,147	6,241	1,196,190
Webster	229,993	104,864	178,354	-	513,211
Wetzel	394,546	268,546	542,924	1,349	1,207,365
Wirt	156,658	35,260	79,438	-	271,357
Wood	1,884,435	958,833	1,032,615	-	3,875,882
Wyoming	999,506	417,094	91,900	5,180	1,513,679
Total	46,503,500	22,422,219	44,226,200	174,891	113,326,810

Note: RESA expenditures are not included.

OSF3
06/02/11
Instructional supplies 10

STUDENT ENROLLMENT

**COUNTY BOARDS OF EDUCATION
HEADCOUNT (STUDENT) ENROLLMENT BY GRADE - 2ND MONTH
2010-11 SCHOOL YEAR**

County	Early Childhood		Kinder- garten	First	Second	Third	Fourth	Fifth
	Community Based	School Based						
Barbour	44	111	194	174	170	176	163	168
Berkeley	173	629	1,389	1,368	1,284	1,386	1,353	1,293
Boone	166	100	351	358	344	313	343	323
Braxton	-	134	162	156	172	174	141	157
Brooke	58	53	239	243	238	224	242	261
Cabell	457	284	971	996	948	934	982	938
Calhoun	76	-	98	65	81	85	86	79
Clay	154	-	139	145	157	132	137	132
Doddridge	55	-	85	81	66	79	91	89
Fayette	201	61	505	499	488	500	540	494
Gilmer	-	69	67	67	48	62	66	67
Grant	44	42	124	141	133	123	133	157
Greenbrier	28	229	383	389	343	377	390	391
Hampshire	56	108	239	230	267	228	252	305
Hancock	116	82	342	337	318	331	321	318
Hardy	50	66	189	171	180	158	184	142
Harrison	307	311	880	822	777	770	768	822
Jackson	112	175	379	365	346	366	386	358
Jefferson	203	84	667	765	639	731	716	691
Kanawha	530	870	2,086	2,195	2,112	2,171	2,029	2,109
Lewis	151	-	179	152	202	181	190	178
Lincoln	233	4	313	290	296	273	246	299
Logan	250	74	455	481	461	478	472	460
Marion	289	173	589	623	596	590	592	610
Marshall	125	123	368	311	317	336	359	363
Mason	48	254	322	338	285	309	317	325
McDowell	139	52	268	266	256	276	243	263
Mercer	213	270	732	694	697	737	701	742
Mineral	39	212	340	318	293	319	301	337
Mingo	282	-	364	346	351	362	344	374
Monongalia	222	390	801	830	766	758	778	729
Monroe	-	119	129	140	124	139	140	147
Morgan	110	18	191	158	182	183	174	212
Nicholas	169	53	304	297	299	287	284	298
Ohio	165	124	424	378	378	367	364	347
Pendleton	25	40	70	70	96	77	67	71
Pleasants	21	41	70	87	73	86	96	102
Pocahontas	15	48	77	90	82	83	82	87
Preston	58	188	331	358	337	328	311	337
Putnam	278	94	737	753	706	712	711	728
Raleigh	191	478	971	911	926	992	875	948
Randolph	198	10	360	350	313	297	338	308
Ritchie	26	76	140	123	119	118	114	94
Roane	131	-	181	194	181	171	175	204
Summers	94	-	138	111	111	115	109	107
Taylor	55	64	183	201	180	172	166	174
Tucker	-	70	66	74	81	70	67	86
Tyler	-	88	96	104	67	108	92	109
Upshur	173	13	274	296	274	299	308	270
Wayne	267	92	544	561	517	572	531	565
Webster	53	43	117	111	96	109	120	99
Wetzel	66	96	198	211	190	214	180	196
Wirt	61	-	64	66	58	73	49	80
Wood	362	369	1,012	997	955	971	970	981
Wyoming	49	175	348	304	317	294	297	308
Total	7,388	7,259	21,245	21,161	20,293	20,776	20,486	20,832

OSF
12/07/10
Headcount Enroll 2nd Mo 11

**COUNTY BOARDS OF EDUCATION
HEADCOUNT (STUDENT) ENROLLMENT BY GRADE - 2ND MONTH
2010-11 SCHOOL YEAR**

County	Sixth	Seventh	Eight	Ninth	Tenth	Eleventh	Twelfth	Total
Barbour	190	164	174	184	212	179	196	2,499
Berkeley	1,293	1,305	1,314	1,450	1,246	1,186	1,051	17,720
Boone	334	340	355	355	322	293	248	4,545
Braxton	156	167	143	168	172	153	165	2,220
Brooke	264	244	241	277	281	244	254	3,363
Cabell	934	944	888	940	887	820	777	12,700
Calhoun	80	80	86	90	78	71	67	1,122
Clay	159	153	137	141	160	182	143	2,071
Doddridge	89	76	84	95	103	89	87	1,169
Fayette	487	541	503	601	501	444	462	6,827
Gilmer	71	71	75	78	71	70	61	943
Grant	151	151	151	153	136	136	112	1,887
Greenbrier	400	393	391	433	374	366	360	5,247
Hampshire	254	249	292	281	320	269	240	3,590
Hancock	301	315	292	390	312	278	255	4,308
Hardy	164	178	174	181	168	144	148	2,297
Harrison	788	809	790	934	870	763	717	11,128
Jackson	371	374	374	409	337	372	322	5,046
Jefferson	666	642	564	714	636	582	545	8,845
Kanawha	2,113	2,185	2,136	2,297	2,100	1,820	1,705	28,458
Lewis	170	195	189	198	222	207	191	2,605
Lincoln	271	290	273	257	231	220	183	3,679
Logan	464	437	487	540	534	430	426	6,449
Marion	567	590	569	586	583	547	600	8,104
Marshall	341	351	347	334	366	366	371	4,778
Mason	307	327	307	341	334	307	260	4,381
McDowell	280	241	264	282	261	253	215	3,559
Mercer	645	749	729	815	707	572	608	9,611
Mineral	327	304	313	334	301	315	320	4,373
Mingo	309	303	297	333	326	299	283	4,573
Monongalia	753	760	759	857	837	748	743	10,731
Monroe	159	140	126	155	121	146	136	1,921
Morgan	177	204	200	243	201	203	161	2,617
Nicholas	285	294	304	301	291	317	293	4,076
Ohio	371	388	374	503	393	414	380	5,370
Pendleton	84	86	65	102	70	77	65	1,065
Pleasants	88	100	89	114	109	102	100	1,278
Pocahontas	92	86	84	92	91	90	84	1,183
Preston	336	338	342	379	350	318	289	4,600
Putnam	747	716	666	821	739	593	630	9,631
Raleigh	867	924	880	934	828	842	805	12,372
Randolph	278	307	315	317	342	255	306	4,294
Ritchie	98	117	104	124	116	111	98	1,578
Roane	200	187	187	207	173	159	155	2,505
Summers	101	109	107	108	119	114	108	1,551
Taylor	197	170	181	192	157	136	167	2,395
Tucker	77	79	65	84	84	79	71	1,053
Tyler	118	105	93	115	108	101	115	1,419
Upshur	278	284	258	357	303	234	246	3,867
Wayne	591	576	533	619	539	481	460	7,448
Webster	81	105	117	115	130	127	111	1,534
Wetzel	204	223	216	197	217	215	221	2,844
Wirt	79	75	70	90	81	79	85	1,010
Wood	1,039	1,010	1,017	996	1,034	873	876	13,462
Wyoming	329	331	308	377	284	243	265	4,229
Total	20,575	20,882	20,399	22,590	20,868	19,034	18,342	282,130

OSF
12/07/10
Headcount Enro

**COMPARISON OF ENROLLMENT FACTORS
AS OF SECOND SCHOOL MONTH
2009-10 AND 2010-11**

County	Early Childhood Headcount			Early Childhood FTE		
	2009-10	2010-11	Increase/ Decrease	2009-10	2010-11	Increase/ Decrease
Barbour	146	155	9	145.00	148.50	3.50
Berkeley	706	802	96	497.70	575.10	77.40
Boone	277	266	(11)	269.50	262.00	(7.50)
Braxton	139	134	(5)	136.12	129.20	(6.92)
Brooke	112	111	(1)	99.21	102.50	3.29
Cabell	660	741	81	626.80	726.60	99.80
Calhoun	65	76	11	58.00	76.00	18.00
Clay	139	154	15	139.00	154.00	15.00
Doddridge	58	55	(3)	38.70	55.00	16.30
Fayette	155	262	107	123.20	225.40	102.20
Gilmer	65	69	4	63.80	67.20	3.40
Grant	88	86	(2)	87.95	85.10	(2.85)
Greenbrier	288	257	(31)	285.40	256.00	(29.40)
Hampshire	163	164	1	106.00	163.10	57.10
Hancock	196	198	2	167.90	182.70	14.80
Hardy	119	116	(3)	112.70	114.20	1.50
Harrison	651	618	(33)	640.80	605.80	(35.00)
Jackson	288	287	(1)	285.60	284.60	(1.00)
Jefferson	256	287	31	135.50	150.50	15.00
Kanawha	1,261	1,400	139	752.40	914.10	161.70
Lewis	149	151	2	131.60	143.50	11.90
Lincoln	219	237	18	215.40	234.80	19.40
Logan	311	324	13	306.20	320.80	14.60
Marion	397	462	65	356.60	414.60	58.00
Marshall	250	248	(2)	241.40	243.30	1.90
Mason	260	302	42	213.00	250.40	37.40
McDowell	211	191	(20)	207.16	191.00	(16.16)
Mercer	506	483	(23)	455.35	437.80	(17.55)
Mineral	275	251	(24)	263.48	249.14	(14.34)
Mingo	252	282	30	252.00	282.00	30.00
Monongalia	527	612	85	520.56	600.96	80.40
Monroe	106	119	13	75.75	115.60	39.85
Morgan	133	128	(5)	83.90	79.50	(4.40)
Nicholas	167	222	55	167.00	221.80	54.80
Ohio	297	289	(8)	232.60	236.10	3.50
Pendleton	71	65	(6)	71.00	65.00	(6.00)
Pleasants	61	62	1	61.00	62.00	1.00
Pocahontas	65	63	(2)	63.00	63.00	-
Preston	238	246	8	224.80	229.80	5.00
Putnam	360	372	12	288.50	329.10	40.60
Raleigh	667	669	2	533.50	543.90	10.40
Randolph	229	208	(21)	229.00	208.00	(21.00)
Ritchie	126	102	(24)	120.00	95.00	(25.00)
Roane	127	131	4	125.80	131.00	5.20
Summers	108	94	(14)	107.50	94.00	(13.50)
Taylor	124	119	(5)	112.00	105.50	(6.50)
Tucker	63	70	7	63.00	70.00	7.00
Tyler	85	88	3	74.40	86.00	11.60
Upshur	172	186	14	172.00	186.00	14.00
Wayne	327	359	32	313.30	339.60	26.30
Webster	102	96	(6)	91.70	78.50	(13.20)
Wetzel	138	162	24	125.00	143.00	18.00
Wirt	49	61	12	49.00	61.00	12.00
Wood	685	731	46	646.00	704.00	58.00
Wyoming	187	224	37	181.30	209.30	28.00
Total	13,876	14,647	771	12,145.08	13,102.60	957.52

OSF
12/7/2010
Enrollment Factor Comparisons 11

**COMPARISON OF ENROLLMENT FACTORS
AS OF SECOND SCHOOL MONTH
2009-10 AND 2010-11**

County	Kindergarten (5 Year Olds) Headcount			Kindergarten (5 Year Olds) FTE		
	2009-10	2010-11	Increase/ Decrease	2009-10	2010-11	Increase/ Decrease
Barbour	170	194	24	170.00	194.00	24.00
Berkeley	1,371	1,389	18	1,371.00	1,387.06	16.06
Boone	384	351	(33)	384.00	351.00	(33.00)
Braxton	156	162	6	156.00	162.00	6.00
Brooke	246	239	(7)	246.00	239.00	(7.00)
Cabell	1,035	971	(64)	1,035.00	971.00	(64.00)
Calhoun	65	98	33	65.00	98.00	33.00
Clay	149	139	(10)	149.00	139.00	(10.00)
Doddridge	80	85	5	80.00	85.00	5.00
Fayette	516	505	(11)	516.00	505.00	(11.00)
Gilmer	68	67	(1)	68.00	67.00	(1.00)
Grant	135	124	(11)	135.00	124.00	(11.00)
Greenbrier	395	383	(12)	395.00	383.00	(12.00)
Hampshire	245	239	(6)	245.00	239.00	(6.00)
Hancock	342	342	-	342.00	338.30	(3.70)
Hardy	183	189	6	183.00	189.00	6.00
Harrison	833	880	47	833.00	880.00	47.00
Jackson	352	379	27	352.00	379.00	27.00
Jefferson	692	667	(25)	692.00	667.00	(25.00)
Kanawha	2,212	2,086	(126)	2,211.20	2,086.00	(125.20)
Lewis	156	179	23	156.00	179.00	23.00
Lincoln	310	313	3	310.00	313.00	3.00
Logan	497	455	(42)	497.00	455.00	(42.00)
Marion	623	589	(34)	623.00	589.00	(34.00)
Marshall	334	368	34	334.00	368.00	34.00
Mason	353	322	(31)	353.00	322.00	(31.00)
McDowell	295	268	(27)	295.00	268.00	(27.00)
Mercer	696	732	36	696.00	732.00	36.00
Mineral	339	340	1	339.00	340.00	1.00
Mingo	362	364	2	362.00	364.00	2.00
Monongalia	820	801	(19)	820.00	801.00	(19.00)
Monroe	138	129	(9)	138.00	129.00	(9.00)
Morgan	161	191	30	161.00	191.00	30.00
Nicholas	306	304	(2)	306.00	304.00	(2.00)
Ohio	393	424	31	393.00	424.00	31.00
Pendleton	71	70	(1)	71.00	70.00	(1.00)
Pleasants	82	70	(12)	82.00	70.00	(12.00)
Pocahontas	89	77	(12)	89.00	77.00	(12.00)
Preston	379	331	(48)	379.00	331.00	(48.00)
Putnam	757	737	(20)	757.00	737.00	(20.00)
Raleigh	901	971	70	901.00	971.00	70.00
Randolph	346	360	14	346.00	360.00	14.00
Ritchie	122	140	18	122.00	140.00	18.00
Roane	205	181	(24)	205.00	181.00	(24.00)
Summers	115	138	23	115.00	138.00	23.00
Taylor	212	183	(29)	212.00	183.00	(29.00)
Tucker	75	66	(9)	75.00	66.00	(9.00)
Tyler	104	96	(8)	104.00	96.00	(8.00)
Upshur	296	274	(22)	296.00	274.00	(22.00)
Wayne	567	544	(23)	567.00	544.00	(23.00)
Webster	110	117	7	110.00	117.00	7.00
Wetzel	232	198	(34)	232.00	198.00	(34.00)
Wirt	62	64	2	62.00	64.00	2.00
Wood	981	1,012	31	981.00	1,012.00	31.00
Wyoming	328	348	20	328.00	348.00	20.00
Total	21,446	21,245	(201)	21,445.20	21,239.36	(205.84)

OSF
12/7/2010
Enrollment Factor C

**COMPARISON OF ENROLLMENT FACTORS
AS OF SECOND SCHOOL MONTH
2009-10 AND 2010-11**

County	Grades 1 - 8 Headcount			Grades 1 - 8 FTE		
	2009-10	2010-11	Increase/ Decrease	2009-10	2010-11	Increase/ Decrease
Barbour	1,376	1,379	3	1,374.27	1,375.89	1.62
Berkeley	10,433	10,596	163	10,431.10	10,588.33	157.23
Boone	2,738	2,710	(28)	2,738.00	2,710.00	(28.00)
Braxton	1,249	1,266	17	1,249.00	1,266.00	17.00
Brooke	1,968	1,957	(11)	1,968.00	1,957.00	(11.00)
Cabell	7,366	7,564	198	7,364.29	7,564.00	199.71
Calhoun	660	642	(18)	660.00	642.00	(18.00)
Clay	1,132	1,152	20	1,132.00	1,152.00	20.00
Doddridge	646	655	9	646.00	655.00	9.00
Fayette	4,109	4,052	(57)	4,109.00	4,052.00	(57.00)
Gilmer	530	527	(3)	530.00	527.00	(3.00)
Grant	1,174	1,140	(34)	1,174.00	1,140.00	(34.00)
Greenbrier	3,064	3,074	10	3,064.00	3,072.50	8.50
Hampshire	2,129	2,077	(52)	2,129.00	2,077.00	(52.00)
Hancock	2,536	2,533	(3)	2,536.00	2,532.10	(3.90)
Hardy	1,351	1,351	-	1,350.10	1,351.00	0.90
Harrison	6,297	6,346	49	6,296.14	6,346.00	49.86
Jackson	2,925	2,940	15	2,921.93	2,940.00	18.07
Jefferson	5,274	5,414	140	5,270.14	5,412.63	142.49
Kanawha	17,094	17,050	(44)	17,093.20	17,050.00	(43.20)
Lewis	1,498	1,457	(41)	1,498.00	1,457.00	(41.00)
Lincoln	2,204	2,238	34	2,204.00	2,238.00	34.00
Logan	3,720	3,740	20	3,720.00	3,740.00	20.00
Marion	4,653	4,737	84	4,653.00	4,737.00	84.00
Marshall	2,724	2,725	1	2,721.27	2,725.00	3.73
Mason	2,489	2,515	26	2,489.00	2,513.24	24.24
McDowell	2,149	2,089	(60)	2,149.00	2,089.00	(60.00)
Mercer	5,702	5,694	(8)	5,702.00	5,694.00	(8.00)
Mineral	2,527	2,512	(15)	2,525.57	2,512.00	(13.57)
Mingo	2,719	2,686	(33)	2,719.00	2,681.75	(37.25)
Monongalia	5,961	6,133	172	5,959.58	6,128.54	168.96
Monroe	1,118	1,115	(3)	1,118.00	1,115.00	(3.00)
Morgan	1,563	1,490	(73)	1,563.00	1,490.00	(73.00)
Nicholas	2,340	2,348	8	2,340.00	2,348.00	8.00
Ohio	2,965	2,967	2	2,965.00	2,967.00	2.00
Pendleton	635	616	(19)	634.50	615.50	(19.00)
Pleasants	734	721	(13)	734.00	721.00	(13.00)
Pocahontas	694	686	(8)	692.13	686.00	(6.13)
Preston	2,666	2,687	21	2,666.00	2,686.12	20.12
Putnam	5,625	5,739	114	5,625.00	5,739.00	114.00
Raleigh	7,305	7,323	18	7,304.80	7,323.00	18.20
Randolph	2,463	2,506	43	2,462.25	2,506.00	43.75
Ritchie	892	887	(5)	892.00	887.00	(5.00)
Roane	1,531	1,499	(32)	1,531.00	1,498.10	(32.90)
Summers	867	870	3	867.00	870.00	3.00
Taylor	1,419	1,441	22	1,419.00	1,440.70	21.70
Tucker	607	599	(8)	607.00	598.10	(8.90)
Tyler	835	796	(39)	835.00	796.00	(39.00)
Upshur	2,218	2,267	49	2,218.00	2,267.00	49.00
Wayne	4,479	4,446	(33)	4,479.00	4,446.00	(33.00)
Webster	857	838	(19)	857.00	838.00	(19.00)
Wetzel	1,604	1,634	30	1,603.13	1,634.00	30.88
Wirt	534	550	16	534.00	550.00	16.00
Wood	7,886	7,940	54	7,882.12	7,933.66	51.54
Wyoming	2,540	2,488	(52)	2,540.00	2,488.00	(52.00)
Total	164,774	165,404	630	164,745.51	165,369.15	623.65

OSF
12/7/2010
Enrollment Factor C

**COMPARISON OF ENROLLMENT FACTORS
AS OF SECOND SCHOOL MONTH
2009-10 AND 2010-11**

County	Grades 9 - 12 Headcount			Grades 9 -12 FTE		
	2009-10	2010-11	Increase/ Decrease	2009-10	2010-11	Increase/ Decrease
Barbour	786	771	(15)	786.00	770.63	(15.38)
Berkeley	4,936	4,933	(3)	4,931.30	4,926.71	(4.59)
Boone	1,273	1,218	(55)	1,273.00	1,218.00	(55.00)
Braxton	686	658	(28)	686.00	658.00	(28.00)
Brooke	1,078	1,056	(22)	1,078.00	1,056.00	(22.00)
Cabell	3,491	3,424	(67)	3,489.31	3,419.07	(70.24)
Calhoun	314	306	(8)	314.00	306.00	(8.00)
Clay	623	626	3	623.00	626.00	3.00
Doddridge	385	374	(11)	385.00	374.00	(11.00)
Fayette	1,979	2,008	29	1,979.00	2,007.00	28.00
Gilmer	276	280	4	276.00	280.00	4.00
Grant	538	537	(1)	538.00	537.00	(1.00)
Greenbrier	1,538	1,533	(5)	1,538.00	1,533.00	(5.00)
Hampshire	1,116	1,110	(6)	1,116.00	1,110.00	(6.00)
Hancock	1,237	1,235	(2)	1,237.00	1,235.00	(2.00)
Hardy	654	641	(13)	654.00	641.00	(13.00)
Harrison	3,415	3,284	(131)	3,415.00	3,284.00	(131.00)
Jackson	1,475	1,440	(35)	1,475.00	1,440.00	(35.00)
Jefferson	2,373	2,477	104	2,372.43	2,475.14	102.72
Kanawha	7,914	7,922	8	7,914.00	7,919.75	5.75
Lewis	847	818	(29)	847.00	818.00	(29.00)
Lincoln	893	891	(2)	893.00	891.00	(2.00)
Logan	1,903	1,930	27	1,903.00	1,930.00	27.00
Marion	2,443	2,316	(127)	2,443.00	2,316.00	(127.00)
Marshall	1,513	1,437	(76)	1,513.00	1,437.00	(76.00)
Mason	1,206	1,242	36	1,206.00	1,242.00	36.00
McDowell	1,019	1,011	(8)	1,019.00	1,011.00	(8.00)
Mercer	2,648	2,702	54	2,648.00	2,702.00	54.00
Mineral	1,319	1,270	(49)	1,319.00	1,267.75	(51.25)
Mingo	1,253	1,241	(12)	1,253.00	1,231.83	(21.18)
Monongalia	3,151	3,185	34	3,149.71	3,181.42	31.70
Monroe	583	558	(25)	583.00	558.00	(25.00)
Morgan	798	808	10	798.00	808.00	10.00
Nicholas	1,229	1,202	(27)	1,229.00	1,202.00	(27.00)
Ohio	1,630	1,690	60	1,627.63	1,688.25	60.63
Pendleton	308	314	6	308.00	314.00	6.00
Pleasants	422	425	3	422.00	425.00	3.00
Pocahontas	354	357	3	354.00	357.00	3.00
Preston	1,345	1,336	(9)	1,345.00	1,336.00	(9.00)
Putnam	2,775	2,783	8	2,771.25	2,781.50	10.25
Raleigh	3,467	3,409	(58)	3,467.00	3,409.00	(58.00)
Randolph	1,318	1,220	(98)	1,317.50	1,218.75	(98.75)
Ritchie	486	449	(37)	486.00	449.00	(37.00)
Roane	691	694	3	691.00	694.00	3.00
Summers	458	449	(9)	458.00	449.00	(9.00)
Taylor	695	652	(43)	695.00	651.80	(43.20)
Tucker	351	318	(33)	351.00	318.00	(33.00)
Tyler	458	439	(19)	458.00	439.00	(19.00)
Upshur	1,139	1,140	1	1,139.00	1,140.00	1.00
Wayne	2,183	2,099	(84)	2,183.00	2,099.00	(84.00)
Webster	508	483	(25)	508.00	483.00	(25.00)
Wetzel	890	850	(40)	890.00	849.50	(40.50)
Wirt	322	335	13	322.00	335.00	13.00
Wood	3,934	3,779	(155)	3,932.29	3,779.00	(153.29)
Wyoming	1,106	1,169	63	1,106.00	1,169.00	63.00
Total	81,732	80,834	(898)	81,715.42	80,797.10	(918.33)

OSF
12/7/2010
Enrollment Factor C

**COMPARISON OF ENROLLMENT FACTORS
AS OF SECOND SCHOOL MONTH
2009-10 AND 2010-11**

County	Grades PK - 12 Headcount			Grades PK -12 Net Enrollment (W/O Certified Adults)		
	2009-10	2010-11	Increase/ Decrease	2009-10	2010-11	Increase/ Decrease
Barbour	2,478	2,499	21	2,475.27	2,489.02	13.75
Berkeley	17,446	17,720	274	17,231.10	17,477.20	246.10
Boone	4,672	4,545	(127)	4,664.50	4,541.00	(123.50)
Braxton	2,230	2,220	(10)	2,227.12	2,215.20	(11.92)
Brooke	3,404	3,363	(41)	3,391.21	3,354.50	(36.71)
Cabell	12,552	12,700	148	12,515.40	12,680.67	165.27
Calhoun	1,104	1,122	18	1,097.00	1,122.00	25.00
Clay	2,043	2,071	28	2,043.00	2,071.00	28.00
Doddridge	1,169	1,169	-	1,149.70	1,169.00	19.30
Fayette	6,759	6,827	68	6,727.20	6,789.40	62.20
Gilmer	939	943	4	937.80	941.20	3.40
Grant	1,935	1,887	(48)	1,934.95	1,886.10	(48.85)
Greenbrier	5,285	5,247	(38)	5,282.40	5,244.50	(37.90)
Hampshire	3,653	3,590	(63)	3,596.00	3,589.10	(6.90)
Hancock	4,311	4,308	(3)	4,282.90	4,288.10	5.20
Hardy	2,307	2,297	(10)	2,299.80	2,295.20	(4.60)
Harrison	11,196	11,128	(68)	11,184.94	11,115.80	(69.14)
Jackson	5,040	5,046	6	5,034.53	5,043.60	9.07
Jefferson	8,595	8,845	250	8,470.07	8,705.27	235.20
Kanawha	28,481	28,458	(23)	27,970.80	27,969.85	(0.95)
Lewis	2,650	2,605	(45)	2,632.60	2,597.50	(35.10)
Lincoln	3,626	3,679	53	3,622.40	3,676.80	54.40
Logan	6,431	6,449	18	6,426.20	6,445.80	19.60
Marion	8,116	8,104	(12)	8,075.60	8,056.60	(19.00)
Marshall	4,821	4,778	(43)	4,809.67	4,773.30	(36.37)
Mason	4,308	4,381	73	4,261.00	4,327.64	66.64
McDowell	3,674	3,559	(115)	3,670.16	3,559.00	(111.16)
Mercer	9,552	9,611	59	9,501.35	9,565.80	64.45
Mineral	4,460	4,373	(87)	4,447.06	4,368.89	(78.16)
Mingo	4,586	4,573	(13)	4,586.00	4,559.58	(26.43)
Monongalia	10,459	10,731	272	10,449.85	10,711.91	262.06
Monroe	1,945	1,921	(24)	1,914.75	1,917.60	2.85
Morgan	2,655	2,617	(38)	2,605.90	2,568.50	(37.40)
Nicholas	4,042	4,076	34	4,042.00	4,075.80	33.80
Ohio	5,285	5,370	85	5,218.23	5,315.35	97.13
Pendleton	1,085	1,065	(20)	1,084.50	1,064.50	(20.00)
Pleasants	1,299	1,278	(21)	1,299.00	1,278.00	(21.00)
Pocahontas	1,202	1,183	(19)	1,198.13	1,183.00	(15.13)
Preston	4,628	4,600	(28)	4,614.80	4,582.92	(31.88)
Putnam	9,517	9,631	114	9,441.75	9,586.60	144.85
Raleigh	12,340	12,372	32	12,206.30	12,246.90	40.60
Randolph	4,356	4,294	(62)	4,354.75	4,292.75	(62.00)
Ritchie	1,626	1,578	(48)	1,620.00	1,571.00	(49.00)
Roane	2,554	2,505	(49)	2,552.80	2,504.10	(48.70)
Summers	1,548	1,551	3	1,547.50	1,551.00	3.50
Taylor	2,450	2,395	(55)	2,438.00	2,381.00	(57.00)
Tucker	1,096	1,053	(43)	1,096.00	1,052.10	(43.90)
Tyler	1,482	1,419	(63)	1,471.40	1,417.00	(54.40)
Upshur	3,825	3,867	42	3,825.00	3,867.00	42.00
Wayne	7,556	7,448	(108)	7,542.30	7,428.60	(113.70)
Webster	1,577	1,534	(43)	1,566.70	1,516.50	(50.20)
Wetzel	2,864	2,844	(20)	2,850.13	2,824.50	(25.63)
Wirt	967	1,010	43	967.00	1,010.00	43.00
Wood	13,486	13,462	(24)	13,441.41	13,428.66	(12.75)
Wyoming	4,161	4,229	68	4,155.30	4,214.30	59.00
Total	281,828	282,130	302	280,051.21	280,508.21	457.00

OSF
12/7/2010
Enrollment Factor C

**COMPARISON OF ENROLLMENT FACTORS
AS OF SECOND SCHOOL MONTH
2009-10 AND 2010-11**

County	Special Education Reported (Unduplicated)			Advanced Placement, Dual Credit, & Int'l Baccalaureate		
	2009-10	2010-11	Increase/ Decrease	2009-10	2010-11	Increase/ Decrease
Barbour	439	412	(27)	64	60	(4)
Berkeley	3,011	2,981	(30)	511	494	(17)
Boone	907	908	1	150	106	(44)
Braxton	432	437	5	91	152	61
Brooke	771	755	(16)	131	120	(11)
Cabell	1,981	2,028	47	427	492	65
Calhoun	163	157	(6)	14	31	17
Clay	352	355	3	32	40	8
Doddridge	254	245	(9)	27	60	33
Fayette	953	979	26	233	231	(2)
Gilmer	154	153	(1)	25	20	(5)
Grant	407	377	(30)	68	69	1
Greenbrier	998	999	1	146	158	12
Hampshire	646	629	(17)	101	84	(17)
Hancock	869	859	(10)	131	115	(16)
Hardy	332	322	(10)	69	56	(13)
Harrison	2,254	2,190	(64)	356	417	61
Jackson	883	876	(7)	179	217	38
Jefferson	1,271	1,235	(36)	262	338	76
Kanawha	4,982	4,576	(406)	1,056	1,163	107
Lewis	551	532	(19)	61	72	11
Lincoln	746	765	19	34	47	13
Logan	809	731	(78)	267	255	(12)
Marion	1,305	1,275	(30)	372	306	(66)
Marshall	1,007	858	(149)	300	319	19
Mason	819	806	(13)	211	180	(31)
McDowell	663	657	(6)	71	85	14
Mercer	1,402	1,389	(13)	314	306	(8)
Mineral	846	804	(42)	167	178	11
Mingo	695	670	(25)	331	224	(107)
Monongalia	2,017	2,055	38	599	662	63
Monroe	331	307	(24)	26	39	13
Morgan	360	351	(9)	90	137	47
Nicholas	820	846	26	96	72	(24)
Ohio	1,036	956	(80)	218	217	(1)
Pendleton	238	248	10	44	43	(1)
Pleasants	236	235	(1)	49	63	14
Pocahontas	215	207	(8)	64	66	2
Preston	967	1,001	34	170	179	9
Putnam	1,748	1,790	42	383	434	51
Raleigh	1,943	1,872	(71)	456	533	77
Randolph	818	796	(22)	242	212	(30)
Ritchie	304	312	8	105	75	(30)
Roane	441	464	23	56	61	5
Summers	212	199	(13)	35	21	(14)
Taylor	396	380	(16)	76	70	(6)
Tucker	180	179	(1)	44	58	14
Tyler	332	286	(46)	59	56	(3)
Upshur	719	688	(31)	160	97	(63)
Wayne	1,441	1,313	(128)	191	196	5
Webster	214	198	(16)	54	32	(22)
Wetzel	552	547	(5)	82	88	6
Wirt	131	147	16	61	65	4
Wood	2,392	2,365	(27)	588	545	(43)
Wyoming	882	819	(63)	128	104	(24)
Total	49,827	48,521	(1,306)	10,277	10,520	243

OSF
12/7/2010
Enrollment Factor C

**COMPARISON OF ENROLLMENT FACTORS
AS OF SECOND SCHOOL MONTH
2009-10 AND 2010-11**

County	Certified Adult Students			Net Enrollment (With Certified Adults)		
	2009-10	2010-11	Increase/ Decrease	2009-10	2010-11	Increase/ Decrease
Barbour	1.25	1.50	0.25	2,476.52	2,490.52	14.00
Berkeley	6.50	4.30	(2.20)	17,237.60	17,481.50	243.90
Boone	0.50	0.50	-	4,665.00	4,541.50	(123.50)
Braxton	2.50	-	(2.50)	2,229.62	2,215.20	(14.42)
Brooke	-	-	-	3,391.21	3,354.50	(36.71)
Cabell	6.70	3.33	(3.37)	12,522.10	12,684.00	161.90
Calhoun	2.90	-	(2.90)	1,099.90	1,122.00	22.10
Clay	-	-	-	2,043.00	2,071.00	28.00
Doddridge	3.25	3.70	0.45	1,152.95	1,172.70	19.75
Fayette	0.55	0.75	0.20	6,727.75	6,790.15	62.40
Gilmer	0.85	-	(0.85)	938.65	941.20	2.55
Grant	4.10	5.50	1.40	1,939.05	1,891.60	(47.45)
Greenbrier	-	-	-	5,282.40	5,244.50	(37.90)
Hampshire	-	-	-	3,596.00	3,589.10	(6.90)
Hancock	4.10	6.33	2.23	4,287.00	4,294.43	7.43
Hardy	1.75	2.15	0.40	2,301.55	2,297.35	(4.20)
Harrison	44.20	48.32	4.12	11,229.14	11,164.12	(65.02)
Jackson	2.55	2.10	(0.45)	5,037.08	5,045.70	8.62
Jefferson	1.50	1.25	(0.25)	8,471.57	8,706.52	234.95
Kanawha	-	-	-	27,970.80	27,969.85	(0.95)
Lewis	2.25	2.55	0.30	2,634.85	2,600.05	(34.80)
Lincoln	-	-	-	3,622.40	3,676.80	54.40
Logan	2.85	-	(2.85)	6,429.05	6,445.80	16.75
Marion	20.10	13.50	(6.60)	8,094.70	8,070.10	(24.60)
Marshall	-	-	-	4,809.67	4,773.30	(36.37)
Mason	5.10	15.80	10.70	4,266.10	4,343.44	77.34
McDowell	1.50	1.75	0.25	3,671.66	3,560.75	(110.91)
Mercer	14.20	11.25	(2.95)	9,515.55	9,577.05	61.50
Mineral	2.25	1.75	(0.50)	4,449.31	4,370.64	(78.66)
Mingo	-	-	-	4,586.00	4,559.58	(26.42)
Monongalia	10.50	18.55	8.05	10,460.35	10,730.46	270.11
Monroe	-	-	-	1,914.75	1,917.60	2.85
Morgan	-	-	-	2,605.90	2,568.50	(37.40)
Nicholas	-	0.70	0.70	4,042.00	4,076.50	34.50
Ohio	-	-	-	5,218.23	5,315.35	97.13
Pendleton	0.75	1.15	0.40	1,085.25	1,065.65	(19.60)
Pleasants	7.75	6.20	(1.55)	1,306.75	1,284.20	(22.55)
Pocahontas	-	-	-	1,198.13	1,183.00	(15.13)
Preston	1.00	0.50	(0.50)	4,615.80	4,583.42	(32.38)
Putnam	16.50	32.25	15.75	9,458.25	9,618.85	160.60
Raleigh	14.25	14.25	-	12,220.55	12,261.15	40.60
Randolph	1.15	0.70	(0.45)	4,355.90	4,293.45	(62.45)
Ritchie	1.25	1.50	0.25	1,621.25	1,572.50	(48.75)
Roane	2.10	1.10	(1.00)	2,554.90	2,505.20	(49.70)
Summers	-	-	-	1,547.50	1,551.00	3.50
Taylor	9.30	5.20	(4.10)	2,448.30	2,386.20	(62.10)
Tucker	-	-	-	1,096.00	1,052.10	(43.90)
Tyler	1.25	1.50	0.25	1,472.65	1,418.50	(54.15)
Upshur	4.15	4.21	0.06	3,829.15	3,871.21	42.06
Wayne	-	-	-	7,542.30	7,428.60	(113.70)
Webster	-	-	-	1,566.70	1,516.50	(50.20)
Wetzel	-	-	-	2,850.13	2,824.50	(25.63)
Wirt	-	-	-	967.00	1,010.00	43.00
Wood	-	-	-	13,441.41	13,428.66	(12.75)
Wyoming	34.00	32.33	(1.67)	4,189.30	4,246.63	57.33
Total	235.40	246.47	11.07	280,286.61	280,754.68	468.07

OSF
12/7/2010
Enrollment Factor C

PERSONNEL

**CLASSIFICATION OF PROFESSIONAL PERSONNEL
BY ASSIGNMENT AND FUNDING SOURCE (FTE BASIS)
AS OF SECOND SCHOOL MONTH
(EXCLUDING RESA PERSONNEL)
2010-11 YEAR**

Position Assignment	State Aid Eligible	Other State Funds	Federal Funds	County Funds	Donations	Other Sources	Total
Superintendent	55.00	-	-	-	-	-	55.00
Deputy, Assoc. or Asst. Supt.	63.08	-	1.52	1.00	-	-	65.60
Administrative Assistant	-	-	0.50	9.55	-	-	10.05
Director/Manager (Instructional)	140.71	6.97	56.01	2.20	-	-	205.88
Director/Manager (Supportive Serv)	-	1.00	16.25	194.83	-	-	212.08
Treasurer/Chief School Business Off.	-	-	-	53.00	-	-	53.00
Principal, Elementary	417.95	-	1.00	1.00	-	-	419.95
Principal, Middle/Junior High	126.00	-	1.00	-	-	-	127.00
Principal, High School	132.45	0.50	1.05	-	-	-	134.00
Principal, Combined	20.00	1.00	-	-	-	-	21.00
Asst. Principal, Elementary	58.50	-	2.00	-	-	-	60.50
Asst. Principal, Middle/Jr High	113.10	-	1.00	-	-	-	114.10
Asst. Principal, High School	197.25	1.50	0.50	1.50	-	-	200.75
Asst. Principal, Combined	12.50	-	-	-	-	-	12.50
Head Teacher	14.00	1.00	-	-	-	-	15.00
Academic Coach	22.60	0.50	79.40	1.00	-	-	103.50
Curriculum Specialist	58.76	2.00	74.33	4.00	-	-	139.09
Technology Integration Specialist	40.68	-	82.32	1.00	-	-	124.00
Librarian	350.62	-	0.09	1.00	-	-	351.71
Remedial Specialist	15.23	-	422.76	-	-	-	437.98
Counselor, Elementary	226.21	-	12.98	7.00	-	-	246.19
Counselor, Middle/Junior High	152.38	-	1.63	-	-	-	154.00
Counselor, High	272.18	1.70	4.93	1.50	-	-	280.30
Counselor, Combined	27.21	-	6.50	-	-	-	33.71
Teacher, Pre-Kindergarten	274.71	-	108.94	-	-	-	383.65
Teacher, Kindergarten	1,041.00	-	16.00	3.00	-	-	1,060.00
Teacher, Elementary	5,858.39	0.50	488.12	11.00	-	-	6,358.01
Teacher, Middle/Junior High	3,350.32	4.50	41.67	14.00	-	-	3,410.49
Teacher, High School	4,138.85	6.80	27.99	19.00	-	0.41	4,193.04
Teacher, Special Education	2,791.82	5.39	479.25	16.00	-	-	3,292.46
Teacher, Homebound	18.30	-	-	-	-	-	18.30
Teacher, Vocational (K-12)	901.47	7.47	14.10	5.72	-	-	928.76
Teacher, Vocational (PS)	-	45.50	4.50	38.50	-	-	88.50
Teacher, Vocational (Adult)	-	5.50	14.50	46.50	-	1.00	67.50
Teacher, Community Education	-	1.00	-	8.00	-	-	9.00
JROTC Instructor, Middle/Jr High	2.50	-	1.50	-	-	-	4.00
JROTC Instructor, High	37.20	-	13.50	12.30	-	-	63.00
Permanent Substitute, Elementary	25.00	-	4.50	-	-	-	29.50
Permanent Substitute, Middle/Jr.	10.00	-	-	-	-	-	10.00
Permanent Substitute, High	12.00	-	-	-	-	-	12.00
Speech Language Pathologist	389.29	-	63.28	3.00	-	-	455.57
Speech Assistant - PE	17.50	-	8.50	-	-	-	26.00
Curriculum Enrichment Instructor	-	-	-	3.00	5.00	-	8.00
Professional Accountant	-	-	1.00	23.00	-	-	24.00
Activities Director	8.00	-	-	-	-	-	8.00
Technology Systems Specialist	-	-	4.00	25.00	-	-	29.00
Psychologist	84.33	2.00	26.17	-	-	-	112.50
Registered Nurse	-	-	-	4.00	-	-	4.00
School Nurse (Below AB)	-	0.40	-	7.10	-	-	7.50
School Nurse (AB)	224.51	12.62	7.89	12.60	-	0.50	258.12
Attendance Director	49.00	1.00	11.00	-	-	-	61.00
Attendance Officer	13.80	-	-	-	-	-	13.80
Social Worker	-	-	27.20	6.85	-	-	34.05
Physical Therapist	-	-	5.75	14.00	-	-	19.75
Occupational Therapist	-	-	18.00	21.00	-	-	39.00
Athletic Trainer	-	-	-	6.00	-	-	6.00
Dental Hygienist	-	-	-	1.50	-	-	1.50
Audiologist	-	-	0.44	3.00	-	-	3.44
Psychometrist	-	-	2.00	1.50	-	-	3.50
Total	21,764.39	108.85	2,155.54	584.15	5.00	1.91	24,619.83

**DISTRIBUTION OF PROFESSIONAL PERSONNEL (FTE BASIS)
BY SALARY CLASSIFICATION AND YEARS EXPERIENCE
ALL FUNDING SOURCES - ALL DISTRICTS
2010-11 YEAR**

Years Exp.	3rd Class	A.B.	A.B. +15	M.A.	M.A. +15	M.A. +30	M.A. +45	Doc-torate	Total
0	1.50	589.83	31.50	136.60	18.00	15.00	15.00	3.00	810.43
1	1.50	480.99	71.75	127.00	35.50	16.50	13.50	1.00	747.74
2	-	465.73	120.50	123.60	52.50	36.50	23.00	2.00	823.83
3	2.50	364.43	188.25	119.78	63.00	38.00	22.50	2.00	800.46
4	2.00	309.30	197.67	143.01	83.00	69.00	43.50	3.00	850.47
5	0.50	290.50	202.13	126.10	99.00	60.50	47.00	1.00	826.73
6	0.50	214.30	162.30	116.50	79.33	87.50	61.50	3.00	724.93
7	2.00	170.80	168.55	90.90	97.58	72.00	77.25	2.00	681.08
8	1.60	118.60	166.00	85.99	85.00	59.20	79.70	5.00	601.09
9	0.50	87.34	177.50	70.00	87.00	77.75	69.78	3.00	572.87
10	0.50	74.50	156.10	56.00	82.00	66.00	67.00	3.00	505.10
11	-	67.95	177.00	60.00	77.60	74.70	95.00	3.00	555.25
12	0.50	63.00	156.50	45.10	88.50	97.98	94.99	1.00	547.57
13	0.50	43.50	174.47	36.00	60.90	83.70	132.31	2.50	533.88
14	1.00	21.50	150.50	45.50	81.18	75.88	88.86	2.00	466.42
15	1.00	21.00	133.50	31.50	61.10	67.00	97.97	2.00	415.07
16	0.50	17.00	121.00	27.00	49.00	71.50	115.25	3.00	404.25
17	-	19.00	110.50	19.50	42.55	53.00	124.05	4.00	372.60
18	-	18.00	98.00	14.50	45.50	69.50	122.65	5.00	373.15
19	-	13.50	115.50	22.00	32.66	49.00	116.00	4.00	352.66
20	-	11.50	122.39	17.00	43.66	71.00	135.00	-	400.54
21	0.50	16.50	139.00	24.00	41.00	75.95	173.50	3.00	473.45
22	-	16.00	159.80	19.00	41.00	65.50	201.50	5.00	507.80
23	-	9.00	146.00	19.00	58.00	57.60	169.24	-	458.84
24	-	13.00	156.00	15.00	49.75	75.00	194.63	3.00	506.38
25	-	10.00	141.00	20.00	46.50	66.65	214.90	5.00	504.05
26	-	10.00	143.21	14.50	40.00	89.50	235.87	10.00	543.08
27	-	9.00	162.39	18.00	40.50	63.00	223.58	8.50	524.96
28	-	7.00	125.00	18.00	31.00	84.00	228.34	5.00	498.34
29	-	7.00	112.00	17.50	38.00	63.19	232.16	4.90	474.75
30	-	9.00	146.00	26.00	25.00	73.50	260.37	4.00	543.87
31	-	7.00	142.00	21.00	38.00	83.00	281.65	4.00	576.65
32	-	2.00	120.93	18.00	36.30	75.25	246.83	1.50	500.81
33	-	6.50	103.65	23.00	25.00	59.00	258.74	3.00	478.89
34	0.50	7.00	76.00	12.00	22.50	43.00	230.95	1.56	393.51
35+	-	21.00	310.00	55.50	74.00	176.15	853.75	20.00	1,510.40
Total	17.60	3,612.27	5,184.58	1,834.07	1,971.10	2,461.50	5,647.81	132.96	20,861.90

OSF
07/27/11
Scattergram All Personnel 11

DISTRIBUTION OF STUDENT SUPPORT PERSONNEL (FTE BASIS)
 BY SALARY CLASSIFICATION AND YEARS EXPERIENCE
 ALL FUNDING SOURCES - ALL DISTRICTS
 20010-11 YEAR

Years Exp.	3rd Class	A.B.	A.B. +15	M.A.	M.A. +15	M.A. +30	M.A. +45	Doc-torate	Total
0	-	9.50	-	8.00	1.00	5.50	1.00	-	25.00
1	-	2.50	-	4.30	4.00	10.50	4.00	-	25.30
2	-	5.92	-	6.65	2.00	15.50	4.00	-	34.07
3	-	3.60	-	1.00	3.00	11.00	7.00	-	25.60
4	-	3.54	3.00	2.50	2.21	15.50	10.00	-	36.75
5	-	4.00	2.22	3.00	1.00	18.21	8.50	-	36.93
6	-	1.00	-	2.00	5.00	18.25	6.00	-	32.25
7	-	7.00	-	-	4.00	6.46	7.25	-	24.71
8	-	2.60	2.00	-	2.00	8.00	8.00	-	22.60
9	-	4.00	1.00	1.00	1.00	9.00	5.40	-	21.40
10	-	2.00	5.00	1.00	3.00	6.00	5.00	-	22.00
11	-	4.00	8.00	3.00	3.00	5.90	13.00	-	36.90
12	-	1.50	-	1.00	1.50	7.00	15.29	-	26.29
13	-	6.00	1.00	3.00	2.00	11.00	8.00	1.00	32.00
14	-	3.49	3.50	-	1.00	7.00	10.50	-	25.49
15	-	-	1.00	1.00	3.00	5.25	12.50	1.00	23.75
16	-	3.00	6.00	-	2.00	8.50	6.00	-	25.50
17	-	2.00	1.00	0.75	-	3.92	15.75	-	23.42
18	-	2.00	5.00	1.00	2.00	7.00	5.50	-	22.50
19	-	3.00	4.00	1.00	1.00	2.00	6.00	-	17.00
20	-	5.00	2.00	1.00	5.00	2.00	6.00	-	21.00
21	-	4.00	4.00	-	2.90	3.00	14.00	-	27.90
22	-	1.00	-	-	1.00	2.00	10.00	-	14.00
23	-	1.00	2.00	1.00	-	5.50	15.00	-	24.50
24	-	2.00	2.00	1.00	-	4.00	10.00	-	19.00
25	-	-	3.92	-	1.00	1.00	11.00	-	16.92
26	-	-	4.00	-	-	3.00	13.50	-	20.50
27	-	-	0.50	-	-	-	9.00	-	9.50
28	-	1.00	2.92	-	-	4.00	12.00	-	19.92
29	-	1.00	1.00	-	-	2.92	11.10	-	16.02
30	-	-	1.50	1.00	-	2.00	8.50	-	13.00
31	-	-	2.00	1.00	1.00	7.00	18.92	-	29.92
32	-	-	1.00	1.00	1.00	4.00	10.50	-	17.50
33	-	-	2.00	-	-	5.00	18.67	1.00	26.67
34	-	1.00	-	2.00	2.00	4.00	11.75	-	20.75
35+	-	-	3.92	1.00	7.00	10.00	42.00	2.00	65.92
Total	-	86.65	75.48	49.20	64.61	240.91	380.63	5.00	902.48

OSF
 07/27/11
 Scattergram All Personnel 11

**COUNTY BOARDS OF EDUCATION
NUMBER OF PERSONNEL EMPLOYED (FTE BASIS)
AND AVERAGE CONTRACTED SALARIES
(EXCLUDES RESA PERSONNEL)
ALL FUNDING SOURCES
2010-11 YEAR**

Professional Personnel:

Administrators:

	<u>FTE</u>	<u>Average Contracted Salaries</u>
Central Office Administrators:		
Superintendent	55.00	\$ 103,697.59
Deputy Associate, or Assistant Supt.	65.60	92,271.70
Administrative Assistant	10.05	83,543.30
Director/Manager (Instructional)	205.88	75,915.59
Director/Coord Supportive Services	212.08	67,715.82
Chief School Business Official	53.00	74,417.97
	<hr/>	<hr/>
Total Central Office Administrators	601.61	\$ 77,343.84
School Administrators:		
Principals:		
Elementary	419.95	\$ 68,743.46
Middle/Junior High	127.00	71,868.31
High School	134.00	78,358.39
Combined	21.00	68,346.46
	<hr/>	<hr/>
Total Principals	701.95	\$ 71,132.41
Assistant Principals:		
Elementary	60.50	\$ 58,612.80
Middle/Junior High	114.10	60,014.38
High School	200.75	64,291.22
Combined	12.50	58,104.52
	<hr/>	<hr/>
Total Assistant Principals	387.85	\$ 61,947.88
	<hr/>	<hr/>
Total School Administrators	1,089.80	\$ 67,863.72
	<hr/>	<hr/>
Total Administrators	1,691.41	\$ 71,235.67
<u>Classroom Teachers (K - 12):</u>		
Head Teacher	15.00	53,872.11
Teacher Pre-K	383.65	41,724.34
Kindergarten	1,060.00	45,752.88
Elementary	6,358.01	44,628.86
Middle/Junior High	3,410.49	43,704.78
High School	4,193.04	44,353.27
Special Education	3,292.46	43,110.66
Homebound	18.30	52,384.40
Vocational (K-12)	928.76	45,891.33
JROTC Instructor	67.00	56,054.22
Permanent Substitutes	51.50	39,849.06
	<hr/>	<hr/>
Total Classroom Teachers	19,778.21	\$ 44,261.99

OSF3
12/21/10
AllPer11

COUNTY BOARDS OF EDUCATION
NUMBER OF PERSONNEL EMPLOYED (FTE BASIS)
AND AVERAGE CONTRACTED SALARIES
(EXCLUDES RESA PERSONNEL)
ALL FUNDING SOURCES
2010-11 YEAR

<u>Professional Student Support Personnel:</u>	<u>FTE</u>	<u>Average Contracted Salaries</u>
Counselor	714.20	\$ 48,876.40
School Nurse (AB)	258.12	45,096.82
Total Professional Student Support Personnel ¹	972.32	\$ 47,873.05
<u>Other Instructional Staff:</u>		
Curriculum Specialist ²	139.09	\$ 63,566.40
Librarian	351.71	47,581.62
Psychologist	112.50	53,891.62
Speech Language Pathologist	455.57	50,607.61
Speech Assistant	26.00	35,310.58
Remedial Specialist	437.98	45,612.04
Academic Coach	103.50	49,500.50
Activities Director	8.00	53,378.30
Attendance Director	61.00	56,949.75
Curriculum Enrichment Instructor	8.00	42,523.81
Technology Integration Specialist	124.00	47,144.28
Total Other Instructional Staff	1,827.35	\$ 49,689.48
<u>Other Support Staff:</u>		
School Nurse (Below AB)	7.50	43,198.96
Registered Nurse	4.00	35,847.50
Attendance Officer	13.80	53,772.96
Social Worker	34.05	46,907.13
Dental Hygienist	1.50	53,552.00
Physical Therapist	19.75	59,859.72
Occupational Therapist	39.00	51,494.01
Athletic Trainer	6.00	45,320.97
Audiologist	3.44	57,389.02
Psychometrist	3.50	59,690.94
Professional Accountant	24.00	53,518.65
Technology Systems Specialist	29.00	53,731.74
Total Other Support Staff	185.54	\$ 51,732.19
 Total Pre-K - 12 Grade Professional Personnel	 24,454.83	 \$ 46,733.42
<u>Adult Teachers:</u>		
Vocational (Post Secondary)	88.50	\$ 49,951.89
Vocational (Adult)	67.50	51,516.79
Community Education	9.00	50,462.26
Total Adult Teachers	165.00	\$ 50,619.92
 Total Professional Personnel	 24,619.83	 \$ 46,759.47

**COUNTY BOARDS OF EDUCATION
NUMBER OF PERSONNEL EMPLOYED (FTE BASIS)
AND AVERAGE CONTRACTED SALARIES
(EXCLUDES RESA PERSONNEL)
ALL FUNDING SOURCES
2010-11 YEAR**

<u>Service Personnel:</u>	<u>FTE</u>	<u>Average Contracted Salaries</u>
Aides	2,669.800	\$ 23,942.29
Licensed Practical Nurse	92.600	22,507.00
Paraprofessional	419.750	26,040.64
Autism Mentor	379.050	24,155.01
Director/Coordinator of Services	114.920	42,998.84
Accountant	133.860	31,598.79
Auditor	18.850	35,172.09
Buyer	6.000	40,425.62
Braille/Sign Language Specialist	69.500	23,224.32
Clerk	91.422	28,162.64
Secretary	1,498.177	29,599.44
Switchboard Operator	3.790	37,281.56
Computer Operator	36.983	29,213.01
Programmer	23.200	44,547.69
Draftsman	2.000	33,655.95
Graphic Artist	2.000	32,089.50
Inventory Supervisor	10.813	35,413.76
Printing Operator	0.250	25,656.32
Printing Supervisor	1.000	39,645.90
Accounts Payable Supervisor	22.613	35,987.68
Payroll Supervisor	18.833	36,080.33
Supervisor of Maintenance	33.950	42,822.79
Audiovisual Technician	1.000	36,577.13
Cabinet Maker	21.407	35,282.53
Carpenter	72.708	34,602.93
Chief Mechanic	40.450	36,283.38
Crew Leader	15.600	36,604.29
Electrician	97.411	34,194.87
Electronic Technician	32.333	34,116.20
Foreman	49.943	40,547.46
General Maintenance	57.011	33,941.12
Glazier	3.583	37,789.17
Handyman	7.490	34,012.12
Heating & Air Conditioning Mechanic	65.800	34,200.93
Locksmith	14.465	36,572.75
Lubrication Man	0.500	36,774.90
Mason	26.135	35,803.79
Mechanic Assistant	5.950	31,696.77
Mechanic	188.000	32,218.66
Office Equipment Repairman	5.250	38,062.69
Painter	33.005	36,527.31
Plumber	86.930	34,850.99
Roofing Sheet Metal Mechanic	7.170	34,696.78
Welder	10.190	38,112.21

OSF3
12/21/10
AllPer11

**COUNTY BOARDS OF EDUCATION
NUMBER OF PERSONNEL EMPLOYED (FTE BASIS)
AND AVERAGE CONTRACTED SALARIES
(EXCLUDES RESA PERSONNEL)
ALL FUNDING SOURCES
2010-11 YEAR**

<u>Service Personnel (Continued):</u>	<u>FTE</u>	<u>Average Contracted Salaries</u>
Supervisor of Transportation	37.000	44,148.27
School Bus Supervisor	10.000	37,939.51
Bus Operator	2,879.950	23,376.64
Heavy Equipment Operator	13.271	35,212.32
Truck Driver	49.678	33,271.83
Food Services Supervisor	4.700	38,843.13
Cafeteria Manager	426.690	24,465.73
Cooks	1,762.640	21,949.49
Custodian	2,211.410	26,156.16
Groundsman	3.060	29,585.88
Watchman	0.300	32,337.50
Sanitation Plant Operator	18.633	32,718.10
Total Service Personnel	<u>13,909.02</u>	<u>\$ 25,808.20</u>
TOTAL ALL PERSONNEL	<u>38,528.857</u>	<u>\$ 39,196.00</u>

Notes: **1** - The classification of "Professional Student Support Personnel" was added this year to correspond with the classification used for funding under the Public School Support Program. The classification consists of counselors and school nurses with a baccalaureate degree. **2** - Another change made this year is that curriculum specialists are classified as "Other Instructional Staff", rather than "Central Office Administrators", since personnel employed in these positions are normally not assigned any administrative duties.

**COUNTY BOARDS OF EDUCATION
AVERAGE CONTRACTED SALARIES - ALL PROFESSIONAL PERSONNEL
(EXCLUDING RESA PERSONNEL)
2010-11 YEAR**

County	FTE	Average Salary
Barbour	207.48	\$ 44,875.00
Berkeley	1,493.95	47,541.82
Boone	455.50	48,650.70
Braxton	218.00	45,659.55
Brooke	298.50	48,118.26
Cabell	1,088.45	46,879.86
Calhoun	105.00	43,897.69
Clay	170.50	45,579.22
Doddridge	120.50	45,098.06
Fayette	622.50	46,632.63
Gilmer	92.50	43,784.95
Grant	170.00	44,433.95
Greenbrier	486.61	45,440.95
Hampshire	295.45	43,805.22
Hancock	373.50	47,223.68
Hardy	178.50	45,819.11
Harrison	958.00	47,216.90
Jackson	445.50	48,429.70
Jefferson	727.00	46,027.38
Kanawha	2,436.50	48,005.00
Lewis	234.00	46,489.17
Lincoln	346.00	44,886.60
Logan	542.50	45,825.34
Marion	693.70	46,051.32
Marshall	418.80	48,732.79
Mason	368.84	45,337.75
McDowell	338.00	47,987.78
Mercer	825.50	46,554.35
Mineral	384.00	48,244.39
Mingo	445.90	45,977.39
Monongalia	932.70	46,791.91
Monroe	171.46	43,317.33
Morgan	227.65	45,314.88
Nicholas	351.50	45,966.76
Ohio	466.85	47,645.53
Pendleton	105.60	46,062.10
Pleasants	125.00	49,536.15
Pocahontas	114.25	44,797.74
Preston	406.30	45,370.27
Putnam	806.50	49,336.04
Raleigh	1,044.60	46,611.36
Randolph	394.25	46,660.74
Ritchie	141.00	45,440.49
Roane	214.50	44,256.35
Summers	135.00	45,335.60
Taylor	196.50	45,958.44
Tucker	99.00	45,481.67
Tyler	137.00	46,548.24
Upshur	341.00	46,044.99
Wayne	652.60	44,424.63
Webster	148.00	44,600.74
Wetzel	258.40	47,422.72
Wirt	96.00	42,452.77
Wood	1,127.00	47,943.23
Wyoming	386.00	46,465.50
Total	24,619.83	\$ 46,759.47

OSF3
12/20/10
Avg Contracted Salary PE- All positions 11

**COUNTY BOARDS OF EDUCATION
AVERAGE CONTRACTED SALARIES - CLASSROOM TEACHERS
(EXCLUDING RESA PERSONNEL)
2010-11 YEAR**

County	FTE	Average Salary
Barbour	170.78	\$ 43,241.68
Berkeley	1,239.10	44,459.42
Boone	378.50	45,866.10
Braxton	179.00	43,318.02
Brooke	242.19	45,829.90
Cabell	864.45	44,521.32
Calhoun	87.00	41,061.89
Clay	149.30	43,464.15
Doddridge	90.00	42,894.66
Fayette	516.87	44,376.29
Gilmer	68.50	41,488.17
Grant	134.75	41,683.70
Greenbrier	383.11	42,646.91
Hampshire	233.60	41,212.83
Hancock	296.50	43,897.64
Hardy	140.50	43,492.61
Harrison	748.50	44,725.32
Jackson	350.25	45,881.56
Jefferson	606.50	43,130.01
Kanawha	1,913.50	45,690.69
Lewis	180.00	44,141.71
Lincoln	274.00	42,759.32
Logan	450.50	43,460.12
Marion	578.20	43,851.17
Marshall	335.80	45,977.70
Mason	304.84	43,647.57
McDowell	255.00	45,094.16
Mercer	648.50	44,462.75
Mineral	312.28	45,310.79
Mingo	334.10	42,746.13
Monongalia	714.40	44,097.67
Monroe	132.46	41,160.06
Morgan	175.25	42,355.71
Nicholas	296.50	43,837.26
Ohio	362.35	45,332.42
Pendleton	88.85	43,507.91
Pleasants	99.50	45,799.56
Pocahontas	89.50	42,186.96
Preston	332.30	43,541.44
Putnam	661.00	46,710.49
Raleigh	818.50	43,854.55
Randolph	328.50	44,570.15
Ritchie	112.00	43,263.20
Roane	177.50	42,472.55
Summers	102.50	42,716.08
Taylor	153.90	44,920.66
Tucker	82.50	43,186.23
Tyler	105.77	44,152.81
Upshur	282.52	43,922.86
Wayne	534.50	41,910.22
Webster	122.80	43,106.41
Wetzel	216.50	44,928.78
Wirt	78.00	39,258.24
Wood	913.00	45,370.45
Wyoming	331.50	43,722.02
Total	19,778.21	\$ 44,261.99

OSF3

06/02/11

Avg Contracted Salary-Teachers 11

**COUNTY BOARDS OF EDUCATION
PROFESSIONAL STUDENT SUPPORT PERSONNEL
FTE AND AVERAGE SALARY
(EXCLUDES RESA PERSONNEL)
2010-11**

County	Counselor		School Nurse (AB)		Total Professional Student Support Personnel	
	FTE	Avg. Salary	FTE	Avg. Salary	FTE	Avg. Salary
Barbour	5.20	47,880.63	2.00	50,119.50	7.20	48,502.54
Berkeley	48.00	52,079.02	13.00	48,392.08	61.00	51,293.28
Boone	11.00	45,578.73	5.00	45,628.40	16.00	45,594.25
Braxton	6.00	48,232.00	3.00	39,944.67	9.00	45,469.56
Brooke	7.00	47,995.03	3.00	52,138.90	10.00	49,238.19
Cabell	30.00	47,387.41	9.00	43,850.41	39.00	46,571.18
Calhoun	3.00	46,397.33	1.00	50,921.00	4.00	47,528.25
Clay	3.00	42,405.00	1.00	62,571.30	4.00	47,446.58
Doddridge	3.00	38,258.70	1.00	39,833.00	4.00	38,652.28
Fayette	16.00	47,943.25	5.00	49,104.20	21.00	48,219.67
Gilmer	3.00	47,473.13	1.00	42,783.00	4.00	46,300.60
Grant	4.75	45,595.97	1.00	37,748.00	5.75	44,231.11
Greenbrier	16.00	48,522.94	5.00	45,307.00	21.00	47,757.24
Hampshire	8.00	43,470.88	3.00	40,227.88	11.00	42,586.43
Hancock	10.00	51,178.40	3.00	47,331.00	13.00	50,290.54
Hardy	5.00	38,273.39	2.00	44,966.00	7.00	40,185.57
Harrison	25.50	50,842.73	9.00	45,947.01	34.50	49,565.58
Jackson	12.00	51,228.04	7.00	45,492.14	19.00	49,114.81
Jefferson	21.50	47,790.91	8.50	46,901.53	30.00	47,538.92
Kanawha	94.00	51,849.60	35.00	48,356.63	129.00	50,901.90
Lewis	8.00	48,838.68	2.00	43,595.50	10.00	47,790.04
Lincoln	14.00	42,887.50	3.00	39,920.22	17.00	42,363.86
Logan	12.00	40,931.25	7.00	39,612.66	19.00	40,445.45
Marion	21.00	44,830.22	4.00	45,295.00	25.00	44,904.58
Marshall	12.00	51,492.24	6.00	49,369.17	18.00	50,784.55
Mason	15.00	43,066.48	6.00	42,560.31	21.00	42,921.86
McDowell	11.50	41,907.49	3.00	44,680.67	14.50	42,481.25
Mercer	24.00	47,224.92	7.00	38,097.86	31.00	45,163.97
Mineral	11.75	50,369.96	5.22	52,376.21	16.97	50,987.08
Mingo	11.00	42,089.05	1.00	35,422.00	12.00	41,533.46
Monongalia	24.00	50,380.76	10.00	42,370.17	34.00	48,024.71
Monroe	6.00	46,746.17	1.00	41,485.50	7.00	45,994.65
Morgan	8.00	46,809.92	2.40	41,858.92	10.40	45,667.38
Nicholas	9.00	44,373.96	3.00	46,344.10	12.00	44,866.49
Ohio	16.00	51,077.95	4.00	43,828.00	20.00	49,627.96
Pendleton	2.00	54,108.82	1.00	38,420.08	3.00	48,879.24
Pleasants	4.00	56,674.39	1.00	36,529.00	5.00	52,645.31
Pocahontas	3.75	46,468.73	1.00	39,833.00	4.75	45,071.74
Preston	8.00	48,394.81	8.00	41,627.00	16.00	45,010.91
Putnam	22.00	53,133.39	8.00	45,178.00	30.00	51,011.95
Raleigh	31.00	53,783.78	11.00	44,816.73	42.00	51,435.27
Randolph	12.25	48,927.22	3.00	53,506.27	15.25	49,828.01
Ritchie	2.00	51,470.65	1.00	53,058.60	3.00	51,999.97
Roane	5.00	39,163.31	2.00	35,426.00	7.00	38,095.51
Summers	4.00	51,210.61	1.00	45,707.00	5.00	50,109.89
Taylor	5.00	47,166.61	2.00	39,921.50	7.00	45,096.58
Tucker	2.00	40,122.00	1.00	43,358.00	3.00	41,200.67
Tyler	4.00	49,310.89	1.00	39,245.00	5.00	47,297.71
Upshur	9.00	47,649.27	3.00	43,753.00	12.00	46,675.20
Wayne	14.00	44,229.94	4.00	42,919.80	18.00	43,938.80
Webster	4.00	38,072.88	2.00	31,572.00	6.00	35,905.92
Wetzel	7.00	51,735.82	2.00	39,127.73	9.00	48,934.02
Wirt	3.00	51,065.12	1.00	53,249.60	4.00	51,611.24
Wood	28.00	55,112.70	20.00	45,264.23	48.00	51,009.17
Wyoming	9.00	46,337.99	3.00	42,057.40	12.00	45,267.84
Total	714.20	48,876.40	258.12	45,096.82	972.32	47,873.05

OSF
12/21/10
Avg Contracted Salary-
Prof Student Support Pers 11

**TEACHERS' STATE MINIMUM SALARY SCHEDULE
STATE BASIC SALARY WITHOUT EQUITY
FOR THE 2010-11 YEAR**

Years Exp.	4th Class	3rd Class	2nd Class	A.B. A.B.	A.B. +15	M.A. M.A.	M.A. +15	M.A. +30	M.A. +45	Doc- torate
0	25,651	26,311	26,575	27,827	28,588	30,355	31,116	31,877	32,638	33,673
1	25,979	26,639	26,903	28,345	29,106	30,874	31,635	32,395	33,156	34,191
2	26,308	26,967	27,231	28,864	29,625	31,392	32,153	32,914	33,675	34,710
3	26,636	27,295	27,559	29,383	30,143	31,911	32,672	33,432	34,193	35,228
4	27,208	27,867	28,131	30,145	30,906	32,674	33,435	34,195	34,956	35,991
5	27,536	28,195	28,459	30,664	31,425	33,192	33,953	34,714	35,475	36,510
6	27,864	28,523	28,787	31,182	31,943	33,711	34,472	35,232	35,993	37,028
7	28,192	28,852	29,115	31,701	32,462	34,229	34,990	35,751	36,512	37,547
8	28,520	29,180	29,444	32,219	32,980	34,748	35,509	36,269	37,030	38,065
9	28,848	29,508	29,772	32,738	33,499	35,266	36,027	36,788	37,549	38,584
10	29,177	29,836	30,100	33,258	34,018	35,786	36,547	37,308	38,068	39,103
11	29,505	30,164	30,428	33,776	34,537	36,305	37,065	37,826	38,587	39,622
12	29,833	30,492	30,756	34,295	35,055	36,823	37,584	38,345	39,105	40,140
13	30,161	30,820	31,084	34,813	35,574	37,342	38,102	38,863	39,624	40,659
14	30,489	31,148	31,412	35,332	36,092	37,860	38,621	39,382	40,142	41,177
15	30,817	31,476	31,740	35,850	36,611	38,379	39,139	39,900	40,661	41,696
16	31,145	31,804	32,068	36,369	37,129	38,897	39,658	40,419	41,179	42,214
17	31,473	32,133	32,396	36,887	37,648	39,416	40,177	40,937	41,698	42,733
18	31,801	32,461	32,725	37,406	38,167	39,934	40,695	41,456	42,217	43,252
19	32,129	32,789	33,053	37,924	38,685	40,453	41,214	41,974	42,735	43,770
20	32,457	33,117	33,381	38,443	39,204	40,971	41,732	42,493	43,254	44,289
21	32,786	33,445	33,709	38,961	39,722	41,490	42,251	43,011	43,772	44,807
22	33,114	33,773	34,037	39,480	40,241	42,008	42,769	43,530	44,291	45,326
23	33,442	34,101	34,365	39,999	40,759	42,527	43,288	44,048	44,809	45,844
24	33,770	34,429	34,693	40,517	41,278	43,046	43,806	44,567	45,328	46,363
25	34,098	34,757	35,021	41,036	41,796	43,564	44,325	45,086	45,846	46,881
26	34,426	35,085	35,349	41,554	42,315	44,083	44,843	45,604	46,365	47,400
27	34,754	35,413	35,677	42,073	42,833	44,601	45,362	46,123	46,883	47,918
28	35,082	35,742	36,005	42,591	43,352	45,120	45,880	46,641	47,402	48,437
29	35,410	36,070	36,334	43,110	43,870	45,638	46,399	47,160	47,920	48,955
30	35,738	36,398	36,662	43,628	44,389	46,157	46,917	47,678	48,439	49,474
31	36,067	36,726	36,990	44,147	44,908	46,675	47,436	48,197	48,957	49,992
32	36,395	37,054	37,318	44,665	45,426	47,194	47,955	48,715	49,476	50,511
33	36,723	37,382	37,646	45,184	45,945	47,712	48,473	49,234	49,995	51,030
34	37,051	37,710	37,974	45,702	46,463	48,231	48,992	49,752	50,513	51,548
35	37,379	38,038	38,302	46,221	46,982	48,749	49,510	50,271	51,032	52,067

Note: This schedule does not include the \$600 supplement for classroom teachers with at least 20 years of teaching experience (WVC §18A-4-2), the \$3,500 supplement for those with national certification from the National Board of Professional Teaching Standards (NBPTS) (WVC §18A-4-2a), or the \$2,500 supplement for speech-language pathologists, audiologists, counselors, school psychologists, or school nurses with national certification (WVC §18A-4-4b).

OSF
03/24/10
State Salary Schedules 11

**TEACHERS' STATE MINIMUM SALARY SCHEDULE
STATE EQUITY SUPPLEMENT SCHEDULE
FOR THE 2010-11 YEAR**

Years Exp.	4th Class	3rd Class	2nd Class	A.B. A.B.	A.B. +15	M.A. M.A.	M.A. +15	M.A. +30	M.A. +45	Doc- torate
0	1,781	1,796	1,877	2,360	2,452	2,644	2,740	2,836	2,836	2,927
1	1,819	1,863	1,946	2,429	2,521	2,713	2,809	2,905	2,905	2,996
2	1,857	1,930	2,015	2,498	2,590	2,782	2,878	2,974	2,974	3,065
3	1,895	1,997	2,084	2,567	2,659	2,851	2,947	3,043	3,043	3,134
4	1,933	2,064	2,153	2,636	2,728	2,920	3,016	3,112	3,112	3,203
5	1,971	2,131	2,222	2,705	2,797	2,989	3,085	3,181	3,181	3,272
6	2,009	2,198	2,291	2,774	2,866	3,058	3,154	3,250	3,250	3,341
7	2,047	2,265	2,360	2,843	2,935	3,127	3,223	3,319	3,319	3,410
8	2,085	2,332	2,429	2,912	3,004	3,196	3,292	3,388	3,388	3,479
9	2,123	2,399	2,498	2,981	3,073	3,265	3,361	3,457	3,457	3,548
10	2,161	2,466	2,567	3,050	3,142	3,334	3,430	3,526	3,526	3,617
11	2,199	2,533	2,636	3,119	3,211	3,403	3,499	3,595	3,595	3,686
12	2,237	2,600	2,705	3,188	3,280	3,472	3,568	3,664	3,664	3,755
13	2,275	2,667	2,774	3,257	3,349	3,541	3,637	3,733	3,733	3,824
14	2,313	2,734	2,843	3,326	3,418	3,610	3,706	3,802	3,802	3,893
15	2,351	2,801	2,912	3,395	3,487	3,679	3,775	3,871	3,871	3,962
16	2,389	2,868	2,981	3,464	3,556	3,748	3,844	3,940	3,940	4,031
17	2,427	2,935	3,050	3,533	3,625	3,817	3,913	4,009	4,009	4,100
18	2,465	3,002	3,119	3,602	3,694	3,886	3,982	4,078	4,078	4,169
19	2,503	3,069	3,188	3,671	3,763	3,955	4,051	4,147	4,147	4,238
20	2,541	3,136	3,257	3,740	3,832	4,024	4,120	4,216	4,216	4,307
21	2,579	3,203	3,326	3,809	3,901	4,093	4,189	4,285	4,285	4,376
22	2,617	3,270	3,395	3,878	3,970	4,162	4,258	4,354	4,354	4,445
23	2,655	3,337	3,464	3,947	4,039	4,231	4,327	4,423	4,423	4,514
24	2,693	3,404	3,533	4,016	4,108	4,300	4,396	4,492	4,492	4,583
25	2,731	3,471	3,602	4,085	4,177	4,369	4,465	4,561	4,561	4,652
26	2,769	3,538	3,671	4,154	4,246	4,438	4,534	4,630	4,630	4,721
27	2,807	3,605	3,740	4,223	4,315	4,507	4,603	4,699	4,699	4,790
28	2,845	3,672	3,809	4,292	4,384	4,576	4,672	4,768	4,768	4,859
29	2,883	3,739	3,878	4,361	4,453	4,645	4,741	4,837	4,837	4,928
30	2,921	3,806	3,947	4,430	4,522	4,714	4,810	4,906	4,906	4,997
31	2,959	3,873	4,016	4,499	4,591	4,783	4,879	4,975	4,975	5,066
32	2,997	3,940	4,085	4,568	4,660	4,852	4,948	5,044	5,044	5,135
33	3,035	4,007	4,154	4,637	4,729	4,921	5,017	5,113	5,113	5,204
34	3,073	4,074	4,223	4,706	4,798	4,990	5,086	5,182	5,182	5,273
35	3,111	4,141	4,292	4,775	4,867	5,059	5,155	5,251	5,251	5,342

Note: This schedule does not include the \$600 supplement for classroom teachers with at least 20 years of teaching experience (WVC §18A-4-2), the \$3,500 supplement for those with national certification from the National Board of Professional Teaching Standards (NBPTS) (WVC §18A-4-2a), or the \$2,500 supplement for speech-language pathologists, audiologists, counselors, school psychologists, or school nurses with national certification (WVC §18A-4-4b).

OSF
03/24/10
State Salary Schedules 11

**TEACHERS' STATE MINIMUM SALARY SCHEDULE
STATE TOTAL SALARY (BASIC PLUS EQUITY)
FOR THE 2010-11 YEAR**

Years Exp.	4th Class	3rd Class	2nd Class	A.B. A.B.	A.B. +15	M.A. M.A.	M.A. +15	M.A. +30	M.A. +45	Doc- torate
0	27,432	28,107	28,452	30,187	31,040	32,999	33,856	34,713	35,474	36,600
1	27,798	28,502	28,849	30,774	31,627	33,587	34,444	35,300	36,061	37,187
2	28,165	28,897	29,246	31,362	32,215	34,174	35,031	35,888	36,649	37,775
3	28,531	29,292	29,643	31,950	32,802	34,762	35,619	36,475	37,236	38,362
4	29,141	29,931	30,284	32,781	33,634	35,594	36,451	37,307	38,068	39,194
5	29,507	30,326	30,681	33,369	34,222	36,181	37,038	37,895	38,656	39,782
6	29,873	30,721	31,078	33,956	34,809	36,769	37,626	38,482	39,243	40,369
7	30,239	31,117	31,475	34,544	35,397	37,356	38,213	39,070	39,831	40,957
8	30,605	31,512	31,873	35,131	35,984	37,944	38,801	39,657	40,418	41,544
9	30,971	31,907	32,270	35,719	36,572	38,531	39,388	40,245	41,006	42,132
10	31,338	32,302	32,667	36,308	37,160	39,120	39,977	40,834	41,594	42,720
11	31,704	32,697	33,064	36,895	37,748	39,708	40,564	41,421	42,182	43,308
12	32,070	33,092	33,461	37,483	38,335	40,295	41,152	42,009	42,769	43,895
13	32,436	33,487	33,858	38,070	38,923	40,883	41,739	42,596	43,357	44,483
14	32,802	33,882	34,255	38,658	39,510	41,470	42,327	43,184	43,944	45,070
15	33,168	34,277	34,652	39,245	40,098	42,058	42,914	43,771	44,532	45,658
16	33,534	34,672	35,049	39,833	40,685	42,645	43,502	44,359	45,119	46,245
17	33,900	35,068	35,446	40,420	41,273	43,233	44,090	44,946	45,707	46,833
18	34,266	35,463	35,844	41,008	41,861	43,820	44,677	45,534	46,295	47,421
19	34,632	35,858	36,241	41,595	42,448	44,408	45,265	46,121	46,882	48,008
20	34,998	36,253	36,638	42,183	43,036	44,995	45,852	46,709	47,470	48,596
21	35,365	36,648	37,035	42,770	43,623	45,583	46,440	47,296	48,057	49,183
22	35,731	37,043	37,432	43,358	44,211	46,170	47,027	47,884	48,645	49,771
23	36,097	37,438	37,829	43,946	44,798	46,758	47,615	48,471	49,232	50,358
24	36,463	37,833	38,226	44,533	45,386	47,346	48,202	49,059	49,820	50,946
25	36,829	38,228	38,623	45,121	45,973	47,933	48,790	49,647	50,407	51,533
26	37,195	38,623	39,020	45,708	46,561	48,521	49,377	50,234	50,995	52,121
27	37,561	39,018	39,417	46,296	47,148	49,108	49,965	50,822	51,582	52,708
28	37,927	39,414	39,814	46,883	47,736	49,696	50,552	51,409	52,170	53,296
29	38,293	39,809	40,212	47,471	48,323	50,283	51,140	51,997	52,757	53,883
30	38,659	40,204	40,609	48,058	48,911	50,871	51,727	52,584	53,345	54,471
31	39,026	40,599	41,006	48,646	49,499	51,458	52,315	53,172	53,932	55,058
32	39,392	40,994	41,403	49,233	50,086	52,046	52,903	53,759	54,520	55,646
33	39,758	41,389	41,800	49,821	50,674	52,633	53,490	54,347	55,108	56,234
34	40,124	41,784	42,197	50,408	51,261	53,221	54,078	54,934	55,695	56,821
35	40,490	42,179	42,594	50,996	51,849	53,808	54,665	55,522	56,283	57,409

Note: This schedule does not include the \$600 supplement for classroom teachers with at least 20 years of teaching experience (WVC §18A-4-2), the \$3,500 supplement for those with national certification from the National Board of Professional Teaching Standards (NBPTS) (WVC §18A-4-2a), or the \$2,500 supplement for speech-language pathologists, audiologists, counselors, school psychologists, or school nurses with national certification (WVC §18A-4-4b).

OSF
03/24/10
State Salary Schedules 11

**PRINCIPALS AND ASSISTANT PRINCIPALS
STATE MINIMUM SALARY INCREMENT SCHEDULE
FOR THE 2010-11 YEAR**

Degree Classification	A.B.	A.B. +15	M.A.	M.A. +15	M.A. +30	M.A. +45	Doc- torate
State Basic Salary	27,827	28,588	30,355	31,116	31,877	32,638	33,673

PRINCIPALS SALARY INCREMENT SCHEDULE								
Number Teachers Supervised	Rate	A.B.	A.B. +15	M.A.	M.A. +15	M.A. +30	M.A. +45	Doc- torate
1 - 7	11.00%	3,061	3,145	3,339	3,423	3,506	3,590	3,704
8 - 14	11.50%	3,200	3,288	3,491	3,578	3,666	3,753	3,872
15 - 24	12.00%	3,339	3,431	3,643	3,734	3,825	3,917	4,041
25 - 38	12.50%	3,478	3,574	3,794	3,890	3,985	4,080	4,209
39 - 57	13.00%	3,618	3,716	3,946	4,045	4,144	4,243	4,377
58 - Up	13.50%	3,757	3,859	4,098	4,201	4,303	4,406	4,546

ASSISTANT PRINCIPALS SALARY INCREMENT SCHEDULE								
Number Teachers Supervised	Rate	A.B.	A.B. +15	M.A.	M.A. +15	M.A. +30	M.A. +45	Doc- torate
1 - 7	5.50%	1,530	1,572	1,670	1,711	1,753	1,795	1,852
8 - 14	5.75%	1,600	1,644	1,745	1,789	1,833	1,877	1,936
15 - 24	6.00%	1,670	1,715	1,821	1,867	1,913	1,958	2,020
25 - 38	6.25%	1,739	1,787	1,897	1,945	1,992	2,040	2,105
39 - 57	6.50%	1,809	1,858	1,973	2,023	2,072	2,121	2,189
58 - Up	6.75%	1,878	1,930	2,049	2,100	2,152	2,203	2,273

Notes: (1) Reference - West Virginia Code §18A-4-3.

OSF
3/24/10
State Salary Schedules 11

**SUMMARY OF INCREASES TO TEACHERS
STATE BASIC SALARY SCHEDULE
1975-76 THROUGH 2010-11**

	A.B.	A.B. +15	M.A.	M.A. +15	M.A. +30	M.A. +45(d)	Doc- torate	Exp. Incr.
Basic salary 1975-76	7,655	7,959	8,263	8,565	8,869	-	9,172	146
Basic salary increases:								
1976-77	1,000	1,000	1,000	1,000	1,000	-	1,000	-
1977-78	-	86	172	260	346	-	433	59
1978-79	-	110	220	330	440	-	550	52
1979-80	150	250	350	450	550	-	650	64
1980-81	950	950	950	950	950	-	950	-
1981-82	1,900	1,900	1,900	1,900	1,900	-	1,900	-
1982-83	-	-	-	-	-	-	-	-
1983-84	-	-	-	-	-	-	-	-
1984-85 (a)	800	800	800	800	800	-	800	40
1985-86 (b)	200	300	400	500	600	-	700	20
1986-87	600	600	600	600	600	-	600	-
1987-88	-	-	-	-	-	-	-	-
1988-89	-	-	-	-	-	-	-	-
1989-90 (c)	663	698	733	768	803	-	838	19
1990-91	2,000	2,000	2,000	2,000	2,000	-	2,000	-
1991-92	1,000	1,000	1,000	1,000	1,000	-	1,000	-
1992-93	2,000	2,000	2,973	2,973	2,973	-	3,238	-
1993-94	-	-	-	-	-	-	-	-
1994-95 (d)	500	500	500	500	500	24,066	1,235	40
1995-96	-	-	-	-	-	-	-	-
1996-97	500	500	500	500	500	500	500	25
1997-98	-	-	-	-	-	-	-	-
1998-99	756	756	756	756	756	756	756	-
1999-2000	756	756	756	756	756	756	756	-
2000-01	756	756	756	756	756	756	756	-
2001-02 (e)	1,000	1,000	1,000	1,000	1,000	1,000	1,000	-
2002-03 (f)	804	804	804	804	804	804	804	36
2003-04	-	-	-	-	-	-	-	-
2004-05	-	-	-	-	-	-	-	-
2005-06 (g)	1,350	1,350	1,350	1,350	1,350	1,350	1,350	-
2006-07 (g)	-	-	-	-	-	-	-	-
2007-08 (g)(h)	887	913	972	998	1,024	1,050	1,085	18
2008-09 (g)	1,600	1,600	1,600	1,600	1,600	1,600	1,600	-
2009-10	-	-	-	-	-	-	-	-
2010-11	-	-	-	-	-	-	-	-
Total increase	20,172	20,629	22,092	22,551	23,008	32,638	24,501	373
Basic salary 2010-11	27,827	28,588	30,355	31,116	31,877	32,638	33,673	519
Annual experience increment:								
Years 1 - 3	519	519	519	519	519	519	519 (h)	(h)
Year 4	763	763	763	763	763	763	763	
Years 5 - 35	519	519	519	519	519	519	519	
Max. years for increase	35	35	35	35	35	35	35	
Max incremental increase	18,394	18,394	18,394	18,394	18,394	18,394	18,394	
Basic salary with max exper- ience increment 2010-11	46,221	46,982	48,749	49,510	50,271	51,032	52,067	

Notes:

- (a) Salary equity began in 1984-85 with experience increment increases of \$69/yr; salaries shown do not include salary equity.
- (b) Classroom teachers with 20 years of teaching experience provided an additional \$600 annually.
- (c) The 5% increase in basic salaries in 1989-90 was provided the second half of the year.
- (d) MA+45 salary classification created beginning with the 1994-95 year.
- (e) In addition to the \$1,000 increase in basic salaries, the \$534 experience increment (\$465 basic salaries plus \$69 equity) was extended to those with 31 - 35 years of experience; all increases were made effective the 2nd quarter.
- (f) In addition to the \$804 increase in basic salaries, the experience increment was increased from \$534 to \$570 (\$501 basic salaries plus \$69 equity), and the \$570 experience increment was extended to those with 29 and 30 years of experience.
- (g) In addition to the \$1,350 increase in basic salary, effective the first day of the second quarter, the experience increment of \$570 (\$501 basic salary plus \$69 equity) was extended one year for the 2005-06 year, three years for the 2006-07 year, three additional years for the 2007-08 year, and the salary schedule was completely filled in from 1 - 35 years for the 2008-09 year.
- (h) In addition to the increases discussed in the preceding note, basic salaries increased by 3.5% for the 2007-08 year, which also increased the experience increment by \$17.54 per year, making the total experience increment \$588 per year (\$519 in basic salaries plus \$69 equity), except between the 3rd and 4th year where the total increase is \$832 (\$763 in basic salaries plus \$69 equity).

TABLE A2.1
A PROFILE OF WEST VIRGINIA'S PUBLIC SCHOOL EDUCATORS, 2008-2011

	2008-2009		2009-2010		2010-2011	
	NUMBER	PERCENTAGE	NUMBER	PERCENTAGE	NUMBER	PERCENTAGE
TOTAL EDUCATORS	N = 24,366		N = 24,610		N = 24,559	
AGE DISTRIBUTION Number and Percent in Age Group:						
Over 60	1,413	5.80%	1,695	6.89%	1,871	7.6%
55-60	5,456	22.39%	5,342	21.71%	5,079	20.7%
50-54	4,469	18.34%	4,159	16.90%	3,856	15.7%
40-49	5,647	23.18%	5,599	22.75%	5,616	22.9%
30-39	4,561	18.72%	4,865	19.77%	5,121	20.9%
20-29	2,820	11.57%	2,950	11.99%	3,016	12.3%
STATE AVERAGE AGE	45.00 Years		45.00 Years		45.00 Years	
TOTAL YEARS EXPERIENCE IN EDUCATION	N = 24,368		N = 24,610		N = 24,559	
Number & Years:						
31 & up	3,941	16.17%	4,019	16.33%	3,859	15.71%
26-30	3,352	13.76%	3,161	12.84%	1,973	8.03%
21-25	3,136	12.87%	3,025	12.29%	3,693	15.04%
16-20	2,559	10.50%	2,400	9.75%	3,010	12.26%
11-15	2,647	10.86%	2,809	11.41%	2,276	9.27%
6-10	3,234	13.27%	3,458	14.05%	2,860	11.65%
4-5	1,664	6.83%	1,847	7.51%	2,916	11.87%
0-3	3,835	15.74%	3,891	15.81%	3,972	16.17%
STATE AVERAGE EXPERIENCE	17.24 Years		19.96 Years		16.58 Years	
SALARY CLASSIFICATION STATUS	N = 24,365		N = 24,610		N = 24,559	
Number and Percent Having:						
Doctorate	151	0.62%	157	0.64%	157	0.64%
Master's +45	7,327	30.07%	7,169	29.13%	6,906	28.12%
Master's +30	3,133	12.86%	3,127	12.71%	3,066	12.48%
Master's +15	2,226	9.14%	2,311	9.39%	2,334	9.50%
Master's	1,864	7.65%	1,994	8.10%	2,187	8.91%
Bachelor's +15	5,749	23.59%	5,715	23.22%	5,639	22.96%
Bachelor's	3,866	15.87%	4,098	16.65%	4,228	17.22%
No Degree	49	0.20%	39.00	0.16%	42	0.17%

Reference to Public School Educators includes all instructional personnel, school counselors, school nurses, and administrators.

TABLE A2.2
A PROFILE OF WEST VIRGINIA'S PUBLIC SCHOOL ADMINISTRATORS, 2008-2011

	2008-2009		2009-2010		2010-2011	
	NUMBER	PERCENTAGE	NUMBER	PERCENTAGE	NUMBER	PERCENTAGE
TOTAL ADMINISTRATORS	N = 1,955		N = 1,939		N = 1,982	
AGE DISTRIBUTION Number and Percent in Age Group:						
Over 60	183	9.17%	217	11.19%	242	12.21%
55-60	586	29.37%	557	28.73%	538	27.14%
50-54	417	20.90%	408	21.04%	393	19.83%
40-49	495	24.81%	470	24.24%	496	25.03%
30-39	239	11.98%	263	13.56%	281	14.18%
20-29	35	1.75%	24	1.24%	32	1.61%
STATE AVERAGE AGE	50.00 Years		50.00 Years		50.00 Years	
TOTAL YRS EXPERIENCE IN EDUCATION Number & Years:	N = 1,955		N = 1,939		N = 1,982	
31 & up	633	32.38%	636	32.53%	46	2.37%
26 - 30	330	16.88%	319	16.32%	42	2.17%
21 - 25	323	16.52%	301	15.40%	189	9.75%
16 - 20	221	11.30%	219	11.20%	232	11.96%
11-15	191	9.77%	197	10.08%	225	11.60%
6-10	163	8.34%	180	9.21%	286	14.75%
4-5	49	2.51%	42	2.15%	347	17.90%
0-3	45	2.30%	45	2.30%	615	31.72%
STATE AVERAGE EXPERIENCE	23.95 Years		23.93 Years		23.65 Years	
SALARY CLASSIFICATION STATUS Number & Percent Having:	N = 1,955		N = 1,939		N = 1,982	
Doctorate	68	3.41%	76	3.92%	79	4.07%
Master's +45	1,248	62.56%	1,240	63.95%	1,251	64.52%
Master's +30	308	15.44%	316	16.30%	319	16.45%
Master's +15	114	5.71%	110	5.67%	114	5.88%
Master's	91	4.56%	95	4.90%	99	5.11%
Bachelor's +15	42	2.11%	34	1.75%	27	1.39%
Bachelor's	81	3.96%	66	3.40%	88	4.54%
No Degree	3	0.15%	2	0.10%	5	0.26%

TABLE A2.3
AGE DISTRIBUTION OF EMPLOYED WEST VIRGINIA EDUCATORS
2010-2011 SCHOOL YEAR
BY COUNTY

COUNTY	NUMBER OF EDUCATORS	Number of Educators within Span and Percentage of Total												Average Age (Years)
		Ages 20-29		Ages 30-39		Ages 40-49		Ages 50-54		Ages 55-60		Over 60		
		N	%	N	%	N	%	N	%	N	%	N	%	
BARBOUR	210	28	13.33	48	22.86	54	25.71	39	18.57	31	14.76	10	4.76	44
BERKELEY	1,522	255	16.75	391	25.69	346	22.73	182	11.96	245	16.10	103	6.77	43
BOONE	451	54	11.97	101	22.39	103	22.84	78	17.29	94	20.84	21	4.66	45
BRAXTON	217	28	12.90	32	14.75	57	26.27	41	18.89	49	22.58	10	4.61	46
BROOKE	298	32	10.74	60	20.13	49	16.44	46	15.44	87	29.19	24	8.05	47
CABELL	1,075	156	14.51	227	21.12	237	22.05	147	13.67	211	19.63	97	9.02	45
CALHOUN	105	20	19.05	22	20.95	29	27.62	16	15.24	16	15.24	7	1.90	42
CLAY	170	23	13.53	37	21.76	51	30.00	33	19.41	21	12.35	5	2.94	43
DODDRIDGE	118	18	15.25	25	21.19	31	26.27	17	14.41	23	19.49	4	3.39	44
FAYETTE	616	64	10.39	122	19.81	129	20.94	99	16.07	148	24.03	54	8.77	46
GILMER	92	15	16.30	16	17.39	19	20.65	17	18.48	17	18.48	8	8.70	44
GRANT	166	30	18.07	33	19.88	40	24.10	29	17.47	22	13.25	12	7.23	44
GREENBRIER	486	60	12.35	104	21.40	109	22.43	71	14.61	91	18.72	51	10.49	45
HAMPSHIRE	290	42	14.48	80	27.59	69	23.79	39	13.45	43	14.83	17	5.86	43
HANCOCK	369	49	13.28	77	20.87	62	16.80	45	12.20	94	25.47	42	11.38	46
HARDY	178	21	11.80	37	20.79	44	24.72	26	14.61	38	21.35	12	6.74	45
HARRISON	991	111	11.20	217	21.90	228	23.01	167	16.85	186	18.77	82	8.27	45
JACKSON	445	40	8.99	99	22.25	114	25.62	97	21.80	67	15.06	28	6.29	45
JEFFERSON	714	103	14.43	164	22.97	166	23.25	94	13.17	125	17.51	62	8.68	44
KANAWHA	2,422	227	9.37	468	19.32	512	21.14	349	14.41	566	23.37	300	12.39	47
LEWIS	230	14	6.09	46	20.00	62	26.96	40	17.39	52	22.61	16	6.96	47
LINCOLN	342	48	14.04	75	21.93	81	23.68	53	15.50	63	18.42	22	6.43	44
LOGAN	539	69	12.80	92	17.07	121	22.45	82	15.21	121	22.45	54	10.02	46
MARION	696	91	13.07	136	19.54	145	20.83	122	17.53	155	22.27	47	6.75	45
MARSHALL	416	41	9.86	113	27.16	72	17.31	50	12.02	102	24.52	38	9.13	45
MASON	361	30	8.31	81	22.44	94	26.04	61	16.90	76	21.05	19	5.26	46
MCDOWELL	328	30	9.15	65	19.82	57	17.38	59	17.99	86	26.22	31	9.45	47
MERCER	827	99	11.97	159	19.23	162	19.59	161	19.47	180	21.77	66	7.98	46
MINERAL	387	41	10.59	84	21.71	86	22.22	44	11.37	101	26.10	31	8.01	46
MINGO	439	60	13.67	57	12.98	109	24.83	77	17.54	97	22.10	39	8.88	46
MONONGALIA	903	112	12.40	193	21.37	220	24.36	140	15.50	185	20.49	53	5.87	45
MONROE	170	25	14.71	39	22.94	44	25.88	32	18.82	23	13.53	7	4.12	43
MORGAN	230	34	14.78	72	31.30	52	22.61	24	10.43	34	14.78	14	6.09	42
NICHOLAS	349	31	8.88	60	17.19	98	28.08	51	14.61	75	21.49	34	9.74	47
OHIO	488	61	12.50	129	26.43	96	19.67	70	14.34	104	21.31	28	5.74	44
PENDLETON	107	19	17.76	14	13.08	20	18.69	20	18.69	29	27.10	5	4.67	45
PLEASANTS	126	11	8.73	24	19.05	34	26.98	18	14.29	31	24.60	8	6.35	46
POCAHONTAS	115	15	13.04	21	18.26	35	30.43	14	12.17	23	20.00	7	6.09	45
PRESTON	403	39	9.68	72	17.87	97	24.07	59	14.64	98	24.32	38	9.43	47
PUTNAM	801	81	10.11	170	21.22	212	26.47	134	16.73	144	17.98	60	7.49	45
RALEIGH	1,049	110	10.49	242	23.07	231	22.02	171	16.30	228	21.73	67	6.39	45
RANDOLPH	382	34	8.90	72	18.85	84	21.99	75	19.63	100	26.18	17	4.45	46
RITCHIE	139	28	20.14	25	17.99	42	30.22	22	15.83	18	12.95	4	2.88	42
ROANE	213	31	14.55	45	21.13	70	32.86	28	13.15	30	14.08	9	4.23	43
SUMMERS	132	16	12.12	31	23.48	22	16.67	34	25.76	24	18.18	5	3.79	44
TAYLOR	197	21	10.66	42	21.32	43	21.83	33	16.75	42	21.32	16	8.12	45
TUCKER	98	11	11.22	21	21.43	29	29.59	11	11.22	20	20.41	6	6.12	45
TYLER	135	23	17.04	24	17.78	31	22.96	27	20.00	27	20.00	3	2.22	44
UPSHUR	339	42	12.39	76	22.42	82	24.19	55	16.22	66	19.47	18	5.31	44
WAYNE	642	114	17.76	142	22.12	156	24.30	90	14.02	105	16.36	35	5.45	43
WEBSTER	147	16	10.88	17	11.56	44	29.93	31	21.09	34	23.13	5	3.40	46
WETZEL	264	34	12.88	43	16.29	54	20.45	49	18.56	69	26.14	15	5.68	46
WIRT	95	25	26.32	24	25.26	16	16.84	17	17.89	9	9.47	4	4.21	40
WOOD	1,153	139	12.06	204	17.69	262	22.72	189	16.39	286	24.80	73	6.33	46
WYOMING	382	45	11.78	51	13.35	104	27.23	81	21.20	68	17.80	33	8.64	46
TOTAL PERSONNEL	24,559	3,016	12.28	5,121	20.85	5,616	22.87	3,856	15.70	5,079	20.68	1,871	7.62	45

TABLE A2.4
AGE DISTRIBUTION OF EMPLOYED
WEST VIRGINIA ADMINISTRATORS
2010-2011 SCHOOL YEAR
BY COUNTY

COUNTY	NUMBER OF ADMINISTRATORS	Number of Administrators within Span and Percentage of Total												Average Age (Years)
		Ages 20-29		Ages 30-39		Ages 40-49		Ages 50-54		Ages 55-60		Over 60		
		N	%	N	%	N	%	N	%	N	%	N	%	
BARBOUR	18	0	0.0%	4	22.2%	7	38.9%	4	22.2%	3	16.7%	0	0.0%	47
BERKELEY	108	4	3.7%	23	21.3%	28	25.9%	10	9.3%	31	28.7%	12	11.1%	48
BOONE	41	0	0.0%	6	14.6%	14	34.1%	10	24.4%	9	22.0%	2	4.9%	48
BRAXTON	18	0	0.0%	3	16.7%	4	22.2%	6	33.3%	3	16.7%	2	11.1%	50
BROOKE	22	0	0.0%	4	18.2%	4	18.2%	4	18.2%	9	40.9%	1	4.5%	50
CABELL	87	2	2.3%	11	12.6%	27	31.0%	18	20.7%	18	20.7%	11	12.6%	49
CALHOUN	11	0	0.0%	3	27.3%	2	18.2%	2	18.2%	1	9.1%	3	27.3%	49
CLAY	12	0	0.0%	2	16.7%	5	41.7%	4	33.3%	1	8.3%	0	0.0%	46
DODDRIDGE	11	0	0.0%	1	9.1%	1	9.1%	3	27.3%	5	45.5%	1	9.1%	54
FAYETTE	55	2	3.6%	5	9.1%	14	25.5%	12	21.8%	16	29.1%	6	10.9%	50
GILMER	10	0	0.0%	1	10.0%	2	20.0%	2	20.0%	4	40.0%	1	10.0%	51
GRANT	16	1	6.3%	1	6.3%	5	31.3%	4	25.0%	5	31.3%	0	0.0%	49
GREENBRIER	43	2	4.7%	10	23.3%	11	25.6%	4	9.3%	12	27.9%	4	9.3%	47
HAMPSHIRE	21	1	4.8%	4	19.0%	6	28.6%	2	9.5%	7	33.3%	1	4.8%	48
HANCOCK	27	0	0.0%	2	7.4%	5	18.5%	5	18.5%	11	40.7%	4	14.8%	53
HARDY	17	0	0.0%	2	11.8%	4	23.5%	3	17.6%	6	35.3%	2	11.8%	52
HARRISON	92	5	5.4%	22	23.9%	20	21.7%	13	14.1%	18	19.6%	14	15.2%	47
JACKSON	34	0	0.0%	8	23.5%	8	23.5%	7	20.6%	9	26.5%	2	5.9%	48
JEFFERSON	53	0	0.0%	10	18.9%	12	22.6%	5	9.4%	21	39.6%	5	9.4%	50
KANAWHA	209	3	1.4%	37	17.7%	46	22.0%	38	18.2%	53	25.4%	32	15.3%	50
LEWIS	18	0	0.0%	4	22.2%	4	22.2%	4	22.2%	5	27.8%	1	5.6%	49
LINCOLN	27	1	3.7%	1	3.7%	8	29.6%	6	22.2%	8	29.6%	3	11.1%	51
LOGAN	47	0	0.0%	3	6.4%	8	17.0%	10	21.3%	17	36.2%	9	19.1%	54
MARION	43	0	0.0%	5	11.6%	9	20.9%	11	25.6%	13	30.2%	5	11.6%	51
MARSHALL	29	1	3.4%	7	24.1%	7	24.1%	5	17.2%	4	13.8%	5	17.2%	48
MASON	28	0	0.0%	3	10.7%	9	32.1%	7	25.0%	7	25.0%	2	7.1%	50
MCDOWELL	35	1	2.9%	5	14.3%	8	22.9%	7	20.0%	12	34.3%	2	5.7%	50
MERCER	53	3	5.7%	5	9.4%	8	15.1%	15	28.3%	15	28.3%	7	13.2%	50
MINERAL	32	0	0.0%	2	6.3%	10	31.3%	3	9.4%	10	31.3%	7	21.9%	52
MINGO	42	0	0.0%	2	4.8%	14	33.3%	7	16.7%	14	33.3%	5	11.9%	51
MONONGALIA	59	0	0.0%	5	8.5%	13	22.0%	10	16.9%	24	40.7%	7	11.9%	52
MONROE	13	0	0.0%	2	15.4%	6	46.2%	2	15.4%	1	7.7%	2	15.4%	47
MORGAN	21	0	0.0%	6	28.6%	6	28.6%	4	19.0%	3	14.3%	2	9.5%	47
NICHOLAS	34	0	0.0%	2	5.9%	11	32.4%	5	14.7%	10	29.4%	6	17.6%	52
OHIO	35	0	0.0%	7	20.0%	9	25.7%	6	17.1%	8	22.9%	5	14.3%	49
PENDLETON	10	0	0.0%	1	10.0%	2	20.0%	3	30.0%	2	20.0%	2	20.0%	52
PLEASANTS	11	0	0.0%	1	9.1%	4	36.4%	4	36.4%	1	9.1%	1	9.1%	48
POCAHONTAS	10	0	0.0%	1	10.0%	3	30.0%	0	0.0%	3	30.0%	3	30.0%	53
PRESTON	30	0	0.0%	4	13.3%	4	13.3%	5	16.7%	10	33.3%	7	23.3%	53
PUTNAM	67	0	0.0%	6	9.0%	17	25.4%	18	26.9%	17	25.4%	9	13.4%	51
RALEIGH	85	2	2.4%	6	7.1%	18	21.2%	19	22.4%	28	32.9%	12	14.1%	52
RANDOLPH	27	1	3.7%	1	3.7%	6	22.2%	7	25.9%	10	37.0%	2	7.4%	51
RITCHIE	11	0	0.0%	1	9.1%	8	72.7%	2	18.2%	0	0.0%	0	0.0%	45
ROANE	18	0	0.0%	4	22.2%	6	33.3%	2	11.1%	6	33.3%	0	0.0%	47
SUMMERS	12	0	0.0%	1	8.3%	2	16.7%	6	50.0%	2	16.7%	1	8.3%	50
TAYLOR	15	0	0.0%	4	26.7%	0	0.0%	7	46.7%	2	13.3%	2	13.3%	50
TUCKER	8	0	0.0%	1	12.5%	2	25.0%	0	0.0%	5	62.5%	0	0.0%	51
TYLER	11	0	0.0%	4	36.4%	3	27.3%	2	18.2%	1	9.1%	1	9.1%	45
UPSHUR	25	0	0.0%	3	12.0%	10	40.0%	5	20.0%	3	12.0%	4	16.0%	49
WAYNE	59	0	0.0%	9	15.3%	21	35.6%	12	20.3%	12	20.3%	5	8.5%	48
WEBSTER	13	0	0.0%	1	7.7%	3	23.1%	3	23.1%	5	38.5%	1	7.7%	51
WETZEL	19	1	5.3%	2	10.5%	5	26.3%	6	31.6%	3	15.8%	2	10.5%	48
WIRT	7	0	0.0%	2	28.6%	0	0.0%	5	71.4%	0	0.0%	0	0.0%	47
WOOD	92	2	2.2%	9	9.8%	23	25.0%	21	22.8%	27	29.3%	10	10.9%	50
WYOMING	31	0	0.0%	2	6.5%	4	12.9%	8	25.8%	8	25.8%	9	29.0%	54
TOTAL STATE PERSONNEL	1,982	32	1.6%	281	14.2%	496	25.0%	393	19.8%	538	27.1%	242	12.2%	50

TABLE A2.5
EXPERIENCE OF EMPLOYED WEST VIRGINIA EDUCATORS
2010-2011 SCHOOL YEAR
BY COUNTY

COUNTY	NUMBER OF EDUCATORS	Number of WV Educators within Span and Percentage of Total																Average Years
		Years 0-3		Years 4-5		Years 6-10		Years 11-15		Years 16-20		Years 21-25		Years 26-30		Years 31 & Up		
		N	%	N	%	N	%	N	%	N	%	N	%	N	%	N	%	
BARBOUR	210	28	13.3%	15	7.1%	31	14.8%	27	12.9%	23	11.0%	28	13.3%	24	11.4%	34	16.2%	17.69
BERKELEY	1,522	274	18.0%	160	10.5%	325	21.4%	195	12.8%	145	9.5%	126	8.3%	115	7.6%	182	12.0%	13.93
BOONE	451	77	17.1%	42	9.3%	57	12.6%	45	10.0%	54	12.0%	58	12.9%	68	15.1%	50	11.1%	16.08
BRAXTON	217	33	15.2%	17	7.8%	23	10.6%	27	12.4%	26	12.0%	32	14.7%	25	11.5%	34	15.7%	17.86
BROOKE	298	34	11.4%	22	7.4%	39	13.1%	42	14.1%	16	5.4%	29	9.7%	47	15.8%	69	23.2%	19.07
CABELL	1,075	181	16.8%	82	7.6%	160	14.9%	146	13.6%	96	8.9%	132	12.3%	132	12.3%	146	13.6%	16.45
CALHOUN	105	25	23.8%	14	13.3%	12	11.4%	8	7.6%	10	9.5%	13	12.4%	10	9.5%	13	12.4%	14.69
CLAY	170	29	17.1%	15	8.8%	25	14.7%	17	10.0%	14	8.2%	28	16.5%	23	13.5%	19	11.2%	16.75
DODDRIDGE	118	17	14.4%	9	7.6%	25	21.2%	12	10.2%	10	8.5%	15	12.7%	13	11.0%	17	14.4%	16.94
FAYETTE	616	88	14.3%	56	9.1%	67	10.9%	67	10.9%	66	10.7%	91	14.8%	76	12.3%	105	17.0%	18.34
GILMER	92	19	20.7%	7	7.6%	13	14.1%	8	8.7%	11	12.0%	11	12.0%	8	8.7%	15	16.3%	17.3
GRANT	166	35	21.1%	11	6.6%	30	18.1%	24	14.5%	9	5.4%	19	11.4%	17	10.2%	21	12.7%	15.1
GREENBRIER	486	99	20.4%	49	10.1%	64	13.2%	55	11.3%	38	7.8%	53	10.9%	48	9.9%	80	16.5%	16.78
HAMPSHIRE	290	51	17.6%	25	8.6%	52	17.9%	43	14.8%	32	11.0%	30	10.3%	25	8.6%	32	11.0%	14.92
HANCOCK	369	65	17.6%	35	9.5%	48	13.0%	50	13.6%	28	7.6%	37	10.0%	29	7.9%	77	20.9%	18.04
HARDY	178	21	11.8%	10	5.6%	35	19.7%	26	14.6%	16	9.0%	19	10.7%	16	9.0%	35	19.7%	17.28
HARRISON	991	135	13.6%	88	8.9%	152	15.3%	116	11.7%	92	9.3%	102	10.3%	116	11.7%	190	19.2%	18.01
JACKSON	445	57	12.8%	32	7.2%	64	14.4%	60	13.5%	44	9.9%	64	14.4%	59	13.3%	65	14.6%	16.91
JEFFERSON	714	123	17.2%	70	9.8%	147	20.6%	98	13.7%	64	9.0%	67	9.4%	62	8.7%	83	11.6%	14.21
KANAWHA	2422	293	12.1%	196	8.1%	360	14.9%	299	12.3%	240	9.9%	303	12.5%	300	12.4%	431	17.8%	17.46
LEWIS	230	29	12.6%	7	3.0%	36	15.7%	29	12.6%	21	9.1%	28	12.2%	41	17.8%	39	17.0%	18.75
LINCOLN	342	70	20.5%	22	6.4%	41	12.0%	39	11.4%	33	9.6%	49	14.3%	38	11.1%	50	14.6%	17.39
LOGAN	539	108	20.0%	43	8.0%	73	13.5%	39	7.2%	48	8.9%	80	14.8%	52	9.6%	96	17.8%	16.77
MARION	696	106	15.2%	50	7.2%	102	14.7%	91	13.1%	46	6.6%	78	11.2%	83	11.9%	140	20.1%	17.99
MARSHALL	416	52	12.5%	37	8.9%	68	16.3%	55	13.2%	25	6.0%	43	10.3%	36	8.7%	100	24.0%	19.62
MASON	361	55	15.2%	32	8.9%	57	15.8%	37	10.2%	33	9.1%	54	15.0%	41	11.4%	52	14.4%	16.25
MCDOWELL	328	54	16.5%	18	5.5%	44	13.4%	16	4.9%	22	6.7%	42	12.8%	44	13.4%	88	26.8%	18.78
MERCER	827	119	14.4%	60	7.3%	115	13.9%	124	15.0%	56	6.8%	97	11.7%	119	14.4%	137	16.6%	17.38
MINERAL	387	49	12.7%	31	8.0%	49	12.7%	63	16.3%	35	9.0%	34	8.8%	44	11.4%	82	21.2%	17.96
MINGO	439	105	23.9%	35	8.0%	45	10.3%	34	7.7%	50	11.4%	59	13.4%	54	12.3%	57	13.0%	16.24
MONONGALIA	903	144	15.9%	72	8.0%	134	14.8%	139	15.4%	101	11.2%	92	10.2%	100	11.1%	121	13.4%	16.05
MONROE	170	25	14.7%	23	13.5%	32	18.8%	18	10.6%	14	8.2%	23	13.5%	19	11.2%	16	9.4%	14.33
MORGAN	230	44	19.1%	29	12.6%	48	20.9%	29	12.6%	26	11.3%	19	8.3%	11	4.8%	24	10.4%	12.97
NICHOLAS	349	48	13.8%	21	6.0%	57	16.3%	30	8.6%	47	13.5%	46	13.2%	40	11.5%	60	17.2%	17.81
OHIO	488	71	14.5%	45	9.2%	81	16.6%	71	14.5%	37	7.6%	47	9.6%	46	9.4%	90	18.4%	17.37
PENDLETON	107	20	18.7%	4	3.7%	12	11.2%	10	9.3%	13	12.1%	11	10.3%	11	10.3%	26	24.3%	18.32
PLEASANTS	126	16	12.7%	9	7.1%	16	12.7%	21	16.7%	7	5.6%	11	8.7%	14	11.1%	32	25.4%	18.14
POCAHONTAS	115	12	10.4%	11	9.6%	20	17.4%	16	13.9%	15	13.0%	15	13.0%	9	7.8%	17	14.8%	16.61
PRESTON	403	65	16.1%	19	4.7%	48	11.9%	43	10.7%	52	12.9%	50	12.4%	60	14.9%	66	16.4%	17.6
PUTNAM	801	111	13.9%	47	5.9%	128	16.0%	122	15.2%	94	11.7%	72	9.0%	115	14.4%	112	14.0%	17.2
RALEIGH	1,049	170	16.2%	89	8.5%	152	14.5%	125	11.9%	82	7.8%	131	12.5%	142	13.5%	158	15.1%	16.98
RANDOLPH	382	39	10.2%	34	8.9%	49	12.8%	45	11.8%	30	7.9%	50	13.1%	62	16.2%	73	19.1%	18.91
RITCHIE	139	30	21.6%	11	7.9%	15	10.8%	19	13.7%	14	10.1%	20	14.4%	13	9.4%	17	12.2%	16.51
ROANE	213	39	18.3%	17	8.0%	23	10.8%	24	11.3%	25	11.7%	34	16.0%	25	11.7%	26	12.2%	16.65
SUMMERS	132	19	14.4%	15	11.4%	20	15.2%	11	8.3%	6	4.5%	13	9.8%	29	22.0%	19	14.4%	18.19
TAYLOR	197	28	14.2%	11	5.6%	24	12.2%	20	10.2%	17	8.6%	27	13.7%	36	18.3%	34	17.3%	18.93
TUCKER	98	13	13.3%	2	2.0%	23	23.5%	13	13.3%	9	9.2%	14	14.3%	9	9.2%	15	15.3%	17
TYLER	135	17	12.6%	18	13.3%	20	14.8%	9	6.7%	8	5.9%	16	11.9%	19	14.1%	28	20.7%	17.89
UPSHUR	339	50	14.7%	25	7.4%	43	12.7%	40	11.8%	45	13.3%	36	10.6%	52	15.3%	48	14.2%	17.36
WAYNE	642	124	19.3%	45	7.0%	113	17.6%	84	13.1%	70	10.9%	67	10.4%	51	7.9%	88	13.7%	14.83
WEBSTER	147	22	15.0%	8	5.4%	18	12.2%	20	13.6%	16	10.9%	24	16.3%	22	15.0%	17	11.6%	15.82
WETZEL	264	40	15.2%	18	6.8%	30	11.4%	32	12.1%	19	7.2%	22	8.3%	35	13.3%	68	25.8%	19.72
WIRT	95	22	23.2%	9	9.5%	16	16.8%	14	14.7%	9	9.5%	11	11.6%	10	10.5%	4	4.2%	13.44
WOOD	1,153	191	16.6%	65	5.6%	176	15.3%	132	11.4%	96	8.3%	120	10.4%	158	13.7%	215	18.6%	18.03
WYOMING	382	68	17.8%	36	9.4%	36	9.4%	31	8.1%	21	5.5%	67	17.5%	64	16.8%	59	15.4%	18.43
TOTAL STATE PERSONNEL	24,559	3,859	15.7%	1,973	8.0%	3,693	15.0%	3,010	12.3%	2,276	9.3%	2,859	11.6%	2,917	11.9%	3,972	16.2%	17.02

TABLE A2.6
EXPERIENCE OF EMPLOYED
WEST VIRGINIA ADMINISTRATORS
2010-2011 SCHOOL YEAR
BY COUNTY

COUNTY	NUMBER OF ADMINISTRATORS	Number of Administrators within Span and Percentage of Total																Average Years
		Years 0-3		Years 4-5		Years 6-10		Years 11-15		Years 16-20		Years 21-25		Years 26-30		Years 31 & Up		
		N	%	N	%	N	%	N	%	N	%	N	%	N	%	N	%	
BARBOUR	18	0	0.0%	0	0.0%	4	22.2%	1	5.6%	2	11.1%	5	27.8%	3	16.7%	3	16.7%	21.17
BERKELEY	108	3	2.8%	1	0.9%	14	13.0%	18	16.7%	13	12.0%	12	11.1%	14	13.0%	33	30.6%	22.34
BOONE	41	0	0.0%	0	0.0%	5	12.2%	2	4.9%	7	17.1%	5	12.2%	10	24.4%	12	29.3%	23.98
BRAXTON	18	0	0.0%	0	0.0%	3	16.7%	1	5.6%	3	16.7%	4	22.2%	3	16.7%	4	22.2%	23.33
BROOKE	22	0	0.0%	0	0.0%	2	9.1%	5	22.7%	1	4.5%	3	13.6%	4	18.2%	7	31.8%	23.23
CABELL	87	4	4.6%	3	3.4%	5	5.7%	11	12.6%	8	9.2%	19	21.8%	15	17.2%	22	25.3%	22.87
CALHOUN	11	0	0.0%	2	18.2%	1	9.1%	1	9.1%	1	9.1%	1	9.1%	3	27.3%	2	18.2%	20.73
CLAY	12	0	0.0%	0	0.0%	1	8.3%	2	16.7%	3	25.0%	1	8.3%	3	25.0%	2	16.7%	22.17
DODDRIDGE	11	0	0.0%	0	0.0%	0	0.0%	2	18.2%	0	0.0%	5	45.5%	2	18.2%	2	18.2%	24.91
FAYETTE	55	1	1.8%	1	1.8%	5	9.1%	11	20.0%	3	5.5%	9	16.4%	10	18.2%	15	27.3%	22.45
GILMER	10	0	0.0%	0	0.0%	1	10.0%	0	0.0%	3	30.0%	2	20.0%	0	0.0%	4	40.0%	24.6
GRANT	16	1	6.3%	1	6.3%	4	25.0%	1	6.3%	1	6.3%	2	12.5%	3	18.8%	3	18.8%	18.69
GREENBRIER	43	2	4.7%	4	9.3%	4	9.3%	1	2.3%	6	14.0%	7	16.3%	6	14.0%	13	30.2%	22
HAMPSHIRE	21	1	4.8%	0	0.0%	4	19.0%	2	9.5%	3	14.3%	2	9.5%	2	9.5%	7	33.3%	22.81
HANCOCK	27	0	0.0%	0	0.0%	2	7.4%	3	11.1%	4	14.8%	3	11.1%	3	11.1%	12	44.4%	26.59
HARDY	17	0	0.0%	0	0.0%	0	0.0%	2	11.8%	1	5.9%	5	29.4%	4	23.5%	5	29.4%	25.65
HARRISON	92	5	5.4%	8	8.7%	10	10.9%	12	13.0%	12	13.0%	7	7.6%	8	8.7%	30	32.6%	21.17
JACKSON	34	1	2.9%	1	2.9%	1	2.9%	7	20.6%	5	14.7%	6	17.6%	5	14.7%	8	23.5%	22.26
JEFFERSON	53	0	0.0%	0	0.0%	7	13.2%	7	13.2%	5	9.4%	9	17.0%	7	13.2%	18	34.0%	23.62
KANAWHA	209	9	4.3%	5	2.4%	27	12.9%	36	17.2%	17	8.1%	22	10.5%	36	17.2%	57	27.3%	21.45
LEWIS	18	0	0.0%	0	0.0%	3	16.7%	1	5.6%	2	11.1%	2	11.1%	4	22.2%	6	33.3%	24.83
LINCOLN	27	0	0.0%	1	3.7%	1	3.7%	0	0.0%	4	14.8%	6	22.2%	6	22.2%	9	33.3%	26.26
LOGAN	47	0	0.0%	2	4.3%	5	10.6%	4	8.5%	3	6.4%	5	10.6%	7	14.9%	21	44.7%	26.81
MARION	43	0	0.0%	0	0.0%	2	4.7%	6	14.0%	5	11.6%	5	11.6%	5	11.6%	20	46.5%	26.4
MARSHALL	29	2	6.9%	0	0.0%	1	3.4%	8	27.6%	2	6.9%	3	10.3%	4	13.8%	9	31.0%	23.31
MASON	28	1	3.6%	0	0.0%	2	7.1%	0	0.0%	7	25.0%	5	17.9%	7	25.0%	6	21.4%	23.71
MCDOWELL	35	1	2.9%	0	0.0%	3	8.6%	3	8.6%	4	11.4%	7	20.0%	6	17.1%	11	31.4%	24.23
MERCER	53	0	0.0%	2	3.8%	5	9.4%	2	3.8%	2	3.8%	9	17.0%	13	24.5%	20	37.7%	26.02
MINERAL	32	1	3.1%	0	0.0%	0	0.0%	5	15.6%	6	18.8%	5	15.6%	2	6.3%	13	40.6%	25.78
MINGO	42	1	2.4%	0	0.0%	3	7.1%	4	9.5%	7	16.7%	9	21.4%	7	16.7%	11	26.2%	23.52
MONONGALIA	59	2	3.4%	1	1.7%	4	6.8%	5	8.5%	7	11.9%	7	11.9%	11	18.6%	22	37.3%	25.05
MONROE	13	0	0.0%	1	7.7%	2	15.4%	1	7.7%	2	15.4%	3	23.1%	2	15.4%	2	15.4%	20.46
MORGAN	21	0	0.0%	0	0.0%	3	14.3%	3	14.3%	5	23.8%	4	19.0%	2	9.5%	4	19.0%	20.9
NICHOLAS	34	1	2.9%	0	0.0%	3	8.8%	0	0.0%	3	8.8%	8	23.5%	4	11.8%	15	44.1%	26.74
OHIO	35	0	0.0%	1	2.9%	4	11.4%	5	14.3%	4	11.4%	5	14.3%	3	8.6%	13	37.1%	24.03
PENDLETON	10	0	0.0%	0	0.0%	2	20.0%	0	0.0%	2	20.0%	1	10.0%	2	20.0%	3	30.0%	23.7
PLEASANTS	11	0	0.0%	1	9.1%	0	0.0%	1	9.1%	2	18.2%	1	9.1%	2	18.2%	4	36.4%	25.18
POCAHONTAS	10	0	0.0%	1	10.0%	1	10.0%	0	0.0%	1	10.0%	1	10.0%	2	20.0%	4	40.0%	25.2
PRESTON	30	1	3.3%	0	0.0%	2	6.7%	2	6.7%	5	16.7%	4	13.3%	3	10.0%	13	43.3%	25.9
PUTNAM	67	3	4.5%	1	1.5%	4	6.0%	5	7.5%	7	10.4%	6	9.0%	21	31.3%	20	29.9%	24.55
RALEIGH	85	3	3.5%	1	1.2%	4	4.7%	6	7.1%	7	8.2%	12	14.1%	23	27.1%	29	34.1%	25.74
RANDOLPH	27	1	3.7%	0	0.0%	3	11.1%	1	3.7%	2	7.4%	3	11.1%	8	29.6%	9	33.3%	25.7
RITCHIE	11	0	0.0%	0	0.0%	2	18.2%	3	27.3%	4	36.4%	2	18.2%	0	0.0%	0	0.0%	16.18
ROANE	18	0	0.0%	0	0.0%	2	11.1%	2	11.1%	3	16.7%	4	22.2%	1	5.6%	6	33.3%	23.22
SUMMERS	12	0	0.0%	0	0.0%	2	16.7%	0	0.0%	1	8.3%	0	0.0%	4	33.3%	5	41.7%	26.67
TAYLOR	15	0	0.0%	0	0.0%	1	6.7%	3	20.0%	0	0.0%	2	13.3%	5	33.3%	4	26.7%	24.27
TUCKER	8	0	0.0%	0	0.0%	2	25.0%	0	0.0%	0	0.0%	1	12.5%	0	0.0%	5	62.5%	26.13
TYLER	11	0	0.0%	0	0.0%	3	27.3%	2	18.2%	1	9.1%	1	9.1%	1	9.1%	3	27.3%	20.36
UPSHUR	25	0	0.0%	0	0.0%	2	8.0%	3	12.0%	4	16.0%	3	12.0%	7	28.0%	6	24.0%	23.8
WAYNE	59	1	1.7%	1	1.7%	7	11.9%	15	25.4%	7	11.9%	11	18.6%	6	10.2%	11	18.6%	20.46
WEBSTER	13	0	0.0%	0	0.0%	1	7.7%	2	15.4%	2	15.4%	2	15.4%	3	23.1%	3	23.1%	22.92
WETZEL	19	0	0.0%	1	5.3%	2	10.5%	4	21.1%	2	10.5%	1	5.3%	4	21.1%	5	26.3%	21.16
WIRT	7	0	0.0%	0	0.0%	0	0.0%	3	42.9%	1	14.3%	0	0.0%	2	28.6%	1	14.3%	20.71
WOOD	92	1	1.1%	2	2.2%	6	6.5%	8	8.7%	12	13.0%	14	15.2%	20	21.7%	29	31.5%	24.77
WYOMING	31	0	0.0%	0	0.0%	2	6.5%	0	0.0%	1	3.2%	5	16.1%	9	29.0%	14	45.2%	29.87
Total State Personnel	1,982	46	2.3%	42	2.1%	189	9.5%	232	11.7%	225	11.4%	286	14.4%	347	17.5%	615	31.0%	23.65

TABLE A2.7
SALARY CLASSIFICATIONS OF
WEST VIRGINIA EDUCATORS
2010-2011 SCHOOL YEAR
BY COUNTY

COUNTY	Number of Educators	Number and Percentage of Educators Holding a:															
		Bachelors		Bachelors + 15		Masters		Masters + 15		Masters + 30		Masters + 45		Doctorate		No Degree	
		N	%	N	%	N	%	N	%	N	%	N	%	N	%	N	%
BARBOUR	210	29	13.8%	52	24.8%	24	11.4%	21	10.0%	27	12.9%	54	25.7%	3	1.4%	0	0.0%
BERKELEY	1,522	369	24.2%	338	22.2%	161	10.6%	143	9.4%	171	11.2%	332	21.8%	6	0.4%	2	0.1%
BOONE	451	98	21.7%	127	28.2%	25	5.5%	40	8.9%	48	10.6%	111	24.6%	1	0.2%	1	0.2%
BRAXTON	217	39	18.0%	54	24.9%	19	8.8%	20	9.2%	28	12.9%	54	24.9%	3	1.4%	0	0.0%
BROOKE	298	46	15.4%	70	23.5%	15	5.0%	23	7.7%	50	16.8%	92	30.9%	2	0.7%	0	0.0%
CABELL	1,075	177	16.5%	249	23.2%	92	8.6%	117	10.9%	117	10.9%	316	29.4%	4	0.4%	3	0.3%
CALHOUN	105	34	32.4%	18	17.1%	9	8.6%	8	7.6%	9	8.6%	27	25.7%	0	0.0%	0	0.0%
CLAY	170	27	15.9%	28	16.5%	8	4.7%	11	6.5%	29	17.1%	65	38.2%	2	1.2%	0	0.0%
DODDRIDGE	118	16	13.6%	34	28.8%	8	6.8%	13	11.0%	18	15.3%	27	22.9%	2	1.7%	0	0.0%
FAYETTE	616	121	19.6%	143	23.2%	58	9.4%	57	9.3%	67	10.9%	166	26.9%	3	0.5%	1	0.2%
GILMER	92	24	26.1%	25	27.2%	14	15.2%	7	7.6%	11	12.0%	11	12.0%	0	0.0%	0	0.0%
GRANT	166	27	16.3%	42	25.3%	24	14.5%	15	9.0%	12	7.2%	43	25.9%	3	1.8%	0	0.0%
GREENBRIER	486	121	24.9%	110	22.6%	41	8.4%	34	7.0%	57	11.7%	119	24.5%	3	0.6%	1	0.2%
HAMPSHIRE	290	50	17.2%	73	25.2%	26	9.0%	39	13.4%	43	14.8%	57	19.7%	2	0.7%	0	0.0%
HANCOCK	369	48	13.0%	86	23.3%	35	9.5%	33	8.9%	40	10.8%	126	34.1%	1	0.3%	0	0.0%
HARDY	178	14	7.9%	40	22.5%	16	9.0%	24	13.5%	25	14.0%	58	32.6%	1	0.6%	0	0.0%
HARRISON	991	140	14.1%	169	17.1%	122	12.3%	96	9.7%	152	15.3%	299	30.2%	10	1.0%	3	0.3%
JACKSON	445	53	11.9%	102	22.9%	33	7.4%	53	11.9%	69	15.5%	133	29.9%	2	0.4%	0	0.0%
JEFFERSON	714	181	25.4%	173	24.2%	83	11.6%	70	9.8%	72	10.1%	126	17.6%	6	0.8%	3	0.4%
KANAWHA	2,422	375	15.5%	608	25.1%	175	7.2%	211	8.7%	305	12.6%	718	29.6%	22	0.9%	8	0.3%
LEWIS	230	32	13.9%	50	21.7%	26	11.3%	25	10.9%	32	13.9%	62	27.0%	2	0.9%	1	0.4%
LINCOLN	342	65	19.0%	90	26.3%	21	6.1%	29	8.5%	35	10.2%	100	29.2%	2	0.6%	0	0.0%
LOGAN	539	123	22.8%	143	26.5%	31	5.8%	28	5.2%	41	7.6%	173	32.1%	0	0.0%	0	0.0%
MARION	696	94	13.5%	133	19.1%	84	12.1%	78	11.2%	99	14.2%	206	29.6%	2	0.3%	0	0.0%
MARSHALL	416	69	16.6%	67	16.1%	40	9.6%	47	11.3%	47	11.3%	142	34.1%	4	1.0%	0	0.0%
MASON	361	65	18.0%	87	24.1%	26	7.2%	45	12.5%	35	9.7%	102	28.3%	1	0.3%	0	0.0%
MCDOWELL	328	64	19.5%	82	25.0%	17	5.2%	16	4.9%	47	14.3%	102	31.1%	0	0.0%	0	0.0%
MERCER	827	146	17.7%	213	25.8%	49	5.9%	74	8.9%	102	12.3%	230	27.8%	7	0.8%	6	0.7%
MINERAL	387	38	9.8%	96	24.8%	24	6.2%	44	11.4%	55	14.2%	129	33.3%	1	0.3%	0	0.0%
MINGO	439	121	27.6%	84	19.1%	34	7.7%	27	6.2%	35	8.0%	136	31.0%	1	0.2%	1	0.2%
MONONGALIA	903	68	7.5%	150	16.6%	124	13.7%	108	12.0%	158	17.5%	281	31.1%	13	1.4%	1	0.1%
MONROE	170	41	24.1%	46	27.1%	12	7.1%	16	9.4%	23	13.5%	31	18.2%	1	0.6%	0	0.0%
MORGAN	230	59	25.7%	48	20.9%	40	17.4%	19	8.3%	29	12.6%	32	13.9%	2	0.9%	1	0.4%
NICHOLAS	349	60	17.2%	78	22.3%	20	5.7%	31	8.9%	39	11.2%	119	34.1%	1	0.3%	1	0.3%
OHIO	488	80	16.4%	105	21.5%	50	10.2%	63	12.9%	63	12.9%	122	25.0%	4	0.8%	1	0.2%
PENDLETON	107	19	17.8%	25	23.4%	10	9.3%	13	12.1%	10	9.3%	30	28.0%	0	0.0%	0	0.0%
FLEASANTS	126	16	12.7%	29	23.0%	9	7.1%	14	11.1%	13	10.3%	44	34.9%	1	0.8%	0	0.0%
POCAHONTAS	115	23	20.0%	33	28.7%	9	7.8%	1	0.9%	13	11.3%	34	29.6%	2	1.7%	0	0.0%
FRESTON	403	53	13.2%	94	23.3%	51	12.7%	40	9.9%	50	12.4%	108	26.8%	5	1.2%	2	0.5%
FUTNAM	801	94	11.7%	197	24.6%	62	7.7%	84	10.5%	114	14.2%	244	30.5%	5	0.6%	1	0.1%
RALEIGH	1,049	175	16.7%	257	24.5%	80	7.6%	84	8.0%	124	11.8%	324	30.9%	5	0.5%	0	0.0%
RANDOLPH	382	42	11.0%	76	19.9%	19	5.0%	41	10.7%	60	15.7%	141	36.9%	3	0.8%	0	0.0%
RITCHIE	139	32	23.0%	27	19.4%	15	10.8%	9	6.5%	10	7.2%	44	31.7%	2	1.4%	0	0.0%
ROANE	213	44	20.7%	58	27.2%	14	6.6%	14	6.6%	31	14.6%	50	23.5%	2	0.9%	0	0.0%
SUMMERS	132	23	17.4%	28	21.2%	13	9.8%	14	10.6%	15	11.4%	36	27.3%	3	2.3%	0	0.0%
TAYLOR	197	19	9.6%	45	22.8%	19	9.6%	24	12.2%	24	12.2%	65	33.0%	1	0.5%	0	0.0%
TUCKER	98	16	16.3%	15	15.3%	16	16.3%	13	13.3%	8	8.2%	29	29.6%	1	1.0%	0	0.0%
TYLER	135	17	12.6%	37	27.4%	8	5.9%	15	11.1%	20	14.8%	38	28.1%	0	0.0%	0	0.0%
UPSHUR	339	50	14.7%	59	17.4%	42	12.4%	33	9.7%	54	15.9%	100	29.5%	1	0.3%	0	0.0%
WAYNE	642	121	18.8%	155	24.1%	53	8.3%	69	10.7%	88	13.7%	149	23.2%	3	0.5%	4	0.6%
WEBSTER	147	27	18.4%	49	33.3%	7	4.8%	10	6.8%	13	8.8%	40	27.2%	0	0.0%	1	0.7%
WETZEL	264	39	14.8%	62	23.5%	21	8.0%	19	7.2%	34	12.9%	88	33.3%	1	0.4%	0	0.0%
WIRT	95	26	27.4%	22	23.2%	16	16.8%	9	9.5%	9	9.5%	13	13.7%	0	0.0%	0	0.0%
WOOD	1,153	192	16.7%	286	24.8%	122	10.6%	121	10.5%	133	11.5%	294	25.5%	5	0.4%	0	0.0%
WYOMING	382	86	22.5%	72	18.8%	15	3.9%	22	5.8%	53	13.9%	134	35.1%	0	0.0%	0	0.0%
TOTAL STATE PERSONNEL	24,559	4,228	17.2%	5,639	23.0%	2,187	8.9%	2,334	9.5%	3,066	12.5%	6,906	28.1%	157	0.6%	42	0.2%

TABLE A2.8
SALARY CLASSIFICATIONS OF
WEST VIRGINIA ADMINISTRATORS
2010-2011 SCHOOL YEAR
BY COUNTY

COUNTY	Number of Administrators	Number and Percentage of Administrators Holding a:															
		Bachelors		Bachelors + 15		Masters		Masters + 15		Masters + 30		Masters + 45		Doctorate		No Degree	
		N	%	N	%	N	%	N	%	N	%	N	%	N	%	N	%
BARBOUR	18	0	0.0%	1	5.6%	1	5.6%	0	0.0%	5	27.8%	10	55.6%	1	5.6%	0	0.0%
BERKELEY	108	14	13.0%	1	0.9%	7	6.5%	7	6.5%	21	19.4%	55	50.9%	3	2.8%	0	0.0%
BOONE	41	1	2.4%	0	0.0%	0	0.0%	6	14.6%	7	17.1%	26	63.4%	1	2.4%	0	0.0%
BRAXTON	18	1	5.6%	0	0.0%	1	5.6%	3	16.7%	2	11.1%	10	55.6%	1	5.6%	0	0.0%
BROOKE	22	1	4.5%	0	0.0%	0	0.0%	0	0.0%	4	18.2%	15	68.2%	2	9.1%	0	0.0%
CABELL	87	6	6.9%	2	2.3%	0	0.0%	3	3.4%	12	13.8%	61	70.1%	2	2.3%	1	1.1%
CALHOUN	11	0	0.0%	0	0.0%	2	18.2%	0	0.0%	2	18.2%	7	63.6%	0	0.0%	0	0.0%
CLAY	12	0	0.0%	0	0.0%	0	0.0%	0	0.0%	1	8.3%	11	92%	0	0.0%	0	0.0%
DODDRIDGE	11	0	0.0%	0	0.0%	0	0.0%	1	9.1%	2	18.2%	6	54.5%	2	18.2%	0	0.0%
FAYETTE	55	1	1.8%	0	0.0%	1	1.8%	5	9.1%	5	9.1%	41	74.5%	2	3.6%	0	0.0%
GILMER	10	0	0.0%	0	0.0%	1	10.0%	1	10.0%	3	30.0%	5	50.0%	0	0.0%	0	0.0%
GRANT	16	2	12.5%	0	0.0%	1	6.3%	2	12.5%	0	0.0%	9	56.3%	2	12.5%	0	0.0%
GREENBRIER	43	2	4.7%	2	4.7%	1	2.3%	5	11.6%	8	18.6%	25	58.1%	0	0.0%	0	0.0%
HAMPSHIRE	21	0	0.0%	0	0.0%	0	0.0%	3	14.3%	2	9.5%	15	71.4%	1	4.8%	0	0.0%
HANCOCK	27	2	7.4%	1	3.7%	1	3.7%	0	0.0%	1	3.7%	22	81.5%	0	0.0%	0	0.0%
HARDY	17	1	5.9%	2	11.8%	0	0.0%	1	5.9%	0	0.0%	12	70.6%	1	5.9%	0	0.0%
HARRISON	92	4	4.3%	1	1.1%	9	9.8%	5	5.4%	20	21.7%	48	52.2%	4	4.3%	1	1.1%
JACKSON	34	0	0.0%	1	2.9%	3	8.8%	3	8.8%	7	20.6%	20	58.8%	0	0.0%	0	0.0%
JEFFERSON	53	5	9.4%	1	1.9%	7	13.2%	4	7.5%	9	17.0%	23	43.4%	4	7.5%	0	0.0%
KANAWHA	209	11	5.3%	4	1.9%	15	7.2%	13	6.2%	41	19.6%	114	54.5%	11	5.3%	0	0.0%
LEWIS	18	0	0.0%	1	5.6%	0	0.0%	2	11.1%	2	11.1%	11	61.1%	2	11.1%	0	0.0%
LINCOLN	27	1	3.7%	0	0.0%	0	0.0%	3	11.1%	3	11.1%	20	74.1%	0	0.0%	0	0.0%
LOGAN	47	0	0.0%	1	2.1%	1	2.1%	0	0.0%	8	17.0%	36	76.6%	1	2.1%	0	0.0%
MARION	43	0	0.0%	1	2.3%	1	2.3%	3	7.0%	11	25.6%	27	62.8%	0	0.0%	0	0.0%
MARSHALL	29	2	6.9%	0	0.0%	2	6.9%	2	6.9%	0	0.0%	21	72.4%	2	6.9%	0	0.0%
MASON	28	0	0.0%	0	0.0%	2	7.1%	3	10.7%	5	17.9%	17	60.7%	1	3.6%	0	0.0%
MCDOWELL	35	1	2.9%	0	0.0%	0	0.0%	1	2.9%	5	14.3%	28	80.0%	0	0.0%	0	0.0%
MERCER	53	1	1.9%	1	1.9%	3	5.7%	3	5.7%	6	11.3%	35	66.0%	4	7.5%	0	0.0%
MINERAL	32	3	9.4%	1	3.1%	1	3.1%	0	0.0%	5	15.6%	21	65.6%	1	3.1%	0	0.0%
MINGO	42	1	2.4%	0	0.0%	1	2.4%	1	2.4%	7	16.7%	32	76.2%	0	0.0%	0	0.0%
MONONGALIA	59	4	6.8%	1	1.7%	3	5.1%	1	1.7%	9	15.3%	38	64.4%	3	5.1%	0	0.0%
MONROE	13	2	15.4%	0	0.0%	1	7.7%	2	15.4%	2	15.4%	5	38.5%	1	7.7%	0	0.0%
MORGAN	21	0	0.0%	0	0.0%	4	19.0%	0	0.0%	7	33.3%	10	47.6%	0	0.0%	0	0.0%
NICHOLAS	34	1	2.9%	0	0.0%	4	11.8%	0	0.0%	2	5.9%	26	76.5%	1	2.9%	0	0.0%
OHIO	35	1	2.9%	0	0.0%	2	5.7%	1	2.9%	7	20.0%	22	62.9%	2	5.7%	0	0.0%
PENDLETON	10	0	0.0%	0	0.0%	1	10.0%	1	10.0%	2	20.0%	6	60.0%	0	0.0%	0	0.0%
FLEASANTS	11	1	9.1%	0	0.0%	0	0.0%	0	0.0%	0	0.0%	9	81.8%	1	9.1%	0	0.0%
POCAHONTAS	10	0	0.0%	0	0.0%	1	10.0%	1	10.0%	4	40.0%	4	40.0%	0	0.0%	0	0.0%
PRESTON	30	0	0.0%	1	3.3%	0	0.0%	1	3.3%	6	20.0%	18	60.0%	3	10.0%	1	3.3%
RUTNAM	67	6	9.0%	0	0.0%	1	1.5%	3	4.5%	8	11.9%	45	67.2%	4	6.0%	0	0.0%
RALEIGH	85	2	2.4%	1	1.2%	4	4.7%	3	3.5%	17	20.0%	55	64.7%	3	3.5%	0	0.0%
RANDOLPH	27	2	7.4%	0	0.0%	0	0.0%	1	3.7%	4	14.8%	19	70.4%	1	3.7%	0	0.0%
RITCHIE	11	0	0.0%	0	0.0%	0	0.0%	1	9.1%	3	27.3%	7	63.6%	0	0.0%	0	0.0%
ROANE	18	1	5.6%	0	0.0%	0	0.0%	1	5.6%	2	11.1%	13	72.2%	1	5.6%	0	0.0%
SUMMERS	12	0	0.0%	0	0.0%	1	8.3%	1	8.3%	1	8.3%	7	58.3%	2	16.7%	0	0.0%
TAYLOR	15	0	0.0%	0	0.0%	2	13.3%	3	20.0%	0	0.0%	9	60.0%	1	6.7%	0	0.0%
TUCKER	8	0	0.0%	0	0.0%	1	12.5%	0	0.0%	1	12.5%	6	75.0%	0	0.0%	0	0.0%
TYLER	11	0	0.0%	1	9.1%	0	0.0%	0	0.0%	1	9.1%	9	81.8%	0	0.0%	0	0.0%
UPSHUR	25	1	4.0%	0	0.0%	0	0.0%	0	0.0%	8	32.0%	15	60.0%	1	4.0%	0	0.0%
WAYNE	59	1	1.7%	0	0.0%	4	6.8%	2	3.4%	10	16.9%	39	66.1%	3	5.1%	0	0.0%
WEBSTER	13	0	0.0%	0	0.0%	0	0.0%	0	0.0%	2	15.4%	11	84.6%	0	0.0%	0	0.0%
WETZEL	19	0	0.0%	0	0.0%	3	15.8%	1	5.3%	2	10.5%	13	68.4%	0	0.0%	0	0.0%
WIRT	7	0	0.0%	0	0.0%	1	14.3%	0	0.0%	2	28.6%	4	57.1%	0	0.0%	0	0.0%
WOOD	92	4	4.3%	1	1.1%	4	4.3%	11	12.0%	12	13.0%	54	58.7%	4	4.3%	2	2.2%
WYOMING	31	2	6.5%	1	3.2%	1	3.2%	0	0.0%	3	9.7%	24	77.4%	0	0.0%	0	0.0%
TOTAL STATE PERSONNEL	1,982	88	4.4%	27	1.4%	99	5.0%	114	5.8%	319	16.1%	1,251	63.1%	79	4.0%	5	0.3%

**TABLE A2.9
EXPERIENCE AND SALARY CLASSIFICATIONS OF
WEST VIRGINIA EDUCATORS
2010-2011 SCHOOL YEAR**

EXPERIENCE	NUMBER OF PERSONNEL	Number and Percentage of WV Educators Holding at:															
		Less than a Bachelors		Bachelors		Bachelors + 15		Masters		Masters + 15		Masters + 30		Masters + 45		Doctorate	
		N	%	N	%	N	%	N	%	N	%	N	%	N	%	N	%
0-3 Years	3,859	10	0.26%	2,225	58%	481	12%	638	17%	216	6%	173	4%	107	3%	9	0%
4-5 Years	1,973	4	0.20%	671	34%	448	23%	313	16%	222	11%	182	9%	129	7%	4	0%
6-10 Years	3,693	12	0.32%	761	21%	920	25%	498	13%	528	14%	470	13%	486	13%	18	0%
11-15 Years	3,010	7	0.23%	260	9%	852	28%	259	9%	436	14%	520	17%	664	22%	12	0%
16-20 Years	2,276	3	0.13%	114	5%	623	27%	120	5%	262	12%	380	17%	755	33%	19	1%
21-25 Years	2,916	0	0.00%	53	2%	721	25%	106	4%	190	7%	420	14%	1,392	48%	34	1%
26-30 Years	2,860	2	0.07%	91	3%	804	28%	112	4%	264	9%	407	14%	1,162	41%	18	1%
Above 30 Years	3,972	4	0.10%	53	1%	790	20%	141	4%	216	5%	514	13%	2,211	56%	43	1%
Total	24,559	42	0.17%	4,228	17%	5,639	23%	2,187	9%	2,334	10%	3,066	12%	6,906	28%	157	1%

**EXPERIENCE AND SALARY CLASSIFICATIONS OF
WEST VIRGINIA ADMINISTRATORS
2010-2011 SCHOOL YEAR**

EXPERIENCE	NUMBER OF PERSONNEL	Number and Percentage of WV Administrators Holding at:															
		Less than a Bachelors		Bachelors		Bachelors + 15		Masters		Masters + 15		Masters + 30		Masters + 45		Doctorate	
		N	%	N	%	N	%	N	%	N	%	N	%	N	%	N	%
0-3 Years	46	1	2.17%	22	48%	2	4%	7	15%	2	4%	7	15%	3	7%	2	4.35%
4-5 Years	42	0	0.00%	10	24%	1	2%	11	26%	9	21%	6	14%	4	10%	1	2.38%
6-10 Years	189	1	0.53%	22	12%	3	2%	30	16%	28	15%	37	20%	64	34%	4	2.12%
11-15 Years	232	3	1.29%	12	5%	1	0%	19	8%	21	9%	52	22%	120	52%	4	1.72%
16-20 Years	225	0	0.00%	7	3%	3	1%	14	6%	15	7%	54	24%	127	56%	5	2.22%
21-25 Years	286	0	0.00%	5	2%	5	2%	6	2%	9	3%	59	21%	192	67%	10	3.50%
26-30 Years	347	0	0.00%	7	2%	3	1%	6	2%	16	5%	39	11%	258	74%	18	5.19%
Above 30 Years	615	0	0.00%	3	0%	9	1%	6	1%	14	2%	65	11%	483	79%	35	5.69%
Total	1,982	5	0.25%	88	4%	27	1%	99	5%	114	6%	319	16%	1,251	63%	79	3.99%

TABLE A2.10
AVERAGE SALARIES FOR PUBLIC SCHOOL EDUCATORS
BY COUNTY

COUNTY	2009-2010		2010-2011	
	FTE	AVERAGE SALARY	FTE	AVERAGE SALARY
BARBOUR	210	\$45,517.54	207	\$44,867.16
BERKELEY	1,480	\$47,324.02	1,470	\$47,289.86
BOONE	453	\$47,568.32	451	\$48,356.53
BRAXTON	221	\$46,179.73	215	\$45,549.82
BROOKE	308	\$47,374.60	298	\$48,034.20
CABELL	1,074	\$47,120.93	1,073	\$46,484.63
CALHOUN	106	\$44,309.91	104	\$43,612.85
CLAY	172	\$46,105.34	170	\$45,516.19
DODDRIDGE	121	\$45,882.24	119	\$44,726.12
FAYETTE	609	\$47,054.62	612	\$46,461.18
GILMER	89	\$44,318.35	92	\$43,733.07
GRANT	172	\$44,062.54	167	\$44,274.85
GREENBRIER	478	\$46,133.29	482	\$45,354.38
HAMPSHIRE	296	\$43,958.69	289	\$43,393.34
HANCOCK	370	\$48,700.47	370	\$47,070.34
HARDY	180	\$45,680.39	178	\$45,776.09
HARRISON	939	\$47,919.59	942	\$47,042.44
JACKSON	453	\$48,227.22	443	\$48,385.35
JEFFERSON	723	\$45,691.31	711	\$45,552.44
KANAWHA	2,499	\$47,878.60	2,410	\$47,842.42
LEWIS	232	\$46,639.58	230	\$46,118.64
LINCOLN	337	\$45,799.88	342	\$44,724.65
LOGAN	541	\$45,957.14	539	\$45,669.37
MARION	704	\$46,414.79	694	\$46,051.32
MARSHALL	416	\$49,892.66	414	\$48,491.69
MASON	382	\$46,145.89	367	\$45,225.73
MERCER	830	\$45,713.45	328	\$47,347.55
MINERAL	393	\$48,077.82	823	\$46,539.32
MINGO	438	\$46,206.34	378	\$47,940.53
MONONGALIA	922	\$46,834.25	435	\$45,580.35
MONROE	179	\$43,129.69	901	\$46,615.19
MORGAN	231	\$45,380.51	168	\$43,250.27
MCDOWELL	354	\$47,483.50	226	\$45,151.89
NICHOLAS	356	\$46,054.54	347	\$45,716.33
OHIO	459	\$48,457.92	466	\$47,628.39
PENDLETON	106	\$46,051.45	105	\$46,047.67
PLEASANTS	132	\$49,446.36	125	\$49,536.15
POCAHONTAS	115	\$44,836.89	113	\$44,724.76
PRESTON	413	\$44,974.43	399	\$45,220.38
PUTNAM	795	\$49,824.11	795	\$49,064.36
RALEIGH	1,029	\$46,557.51	1,033	\$46,335.29
RANDOLPH	390	\$46,925.35	390	\$46,573.59
RITCHIE	143	\$46,644.74	140	\$45,322.84
ROANE	213	\$44,431.06	211	\$43,931.43
SUMMERS	140	\$45,885.50	134	\$45,144.83
TAYLOR	195	\$47,046.36	196	\$45,882.58
TUCKER	102	\$45,648.89	99	\$45,481.67
TYLER	139	\$46,819.64	135	\$46,389.90
UPSHUR	345	\$46,310.53	339	\$45,960.32
WAYNE	665	\$44,135.75	641	\$43,783.64
WEBSTER	149	\$43,614.86	146	\$44,286.96
WETZEL	259	\$49,217.55	257	\$47,300.10
WIRT	95	\$43,085.25	96	\$42,452.77
WOOD	1,126	\$48,405.23	1,121	\$47,833.36
WYOMING	379	\$47,003.46	381	\$46,311.20
STATE AVERAGES	24,649	\$46,401.10	24,559	\$46,759.47

NOTE: Column totals, where applicable, may not add up to 100% due to rounding.

FTE: Full Time Equivalency

**TABLE A2.11
AVERAGE SALARIES FOR CLASSROOM TEACHERS
BY COUNTY**

COUNTY	2009-2010		2010-2011	
	FTE	AVERAGE SALARY	FTE	AVERAGE SALARY
BARBOUR	174	\$44,006.66	171	\$43,241.68
BERKELEY	1,230	\$44,359.98	1,239	\$44,459.42
BOONE	378	\$45,155.33	379	\$45,866.10
BRAXTON	181	\$43,947.60	179	\$43,318.02
BROOKE	251	\$45,086.77	242	\$45,829.90
CABELL	855	\$44,914.40	864	\$44,521.32
CALHOUN	86	\$41,719.01	87	\$41,061.89
CLAY	146	\$43,696.93	149	\$43,464.15
DODDRIDGE	90	\$43,612.50	90	\$42,894.66
FAYETTE	508	\$44,949.04	517	\$44,376.29
GILMER	67	\$42,272.11	69	\$41,488.17
GRANT	139	\$41,981.07	135	\$41,683.70
GREENBRIER	380	\$43,780.86	383	\$42,646.91
HAMPSHIRE	237	\$41,249.61	234	\$41,212.83
HANCOCK	293	\$45,667.88	297	\$43,897.64
HARDY	145	\$43,589.13	141	\$43,492.61
HARRISON	730	\$45,438.47	749	\$44,725.32
JACKSON	353	\$45,979.55	350	\$45,881.56
JEFFERSON	602	\$42,820.50	607	\$43,130.01
KANAWHA	1,988	\$45,592.10	1,914	\$45,690.69
LEWIS	179	\$44,326.30	180	\$44,141.71
LINCOLN	270	\$43,810.17	274	\$42,759.32
LOGAN	447	\$43,629.61	451	\$43,460.12
MARION	587	\$44,349.57	578	\$43,851.17
MARSHALL	331	\$47,784.43	336	\$45,977.70
MASON	319	\$44,019.34	305	\$43,647.57
MERCER	645	\$43,712.88	255	\$45,094.16
MINERAL	319	\$45,237.17	649	\$44,462.75
MINGO	334	\$43,109.90	312	\$45,310.79
MONONGALIA	712	\$44,161.31	334	\$42,746.13
MONROE	148	\$41,133.96	714	\$44,097.67
MORGAN	180	\$42,436.57	132	\$41,160.06
MCDOWELL	264	\$44,672.28	175	\$42,355.71
NICHOLAS	298	\$44,091.06	297	\$43,837.26
OHIO	359	\$45,940.31	362	\$45,332.42
PENDLETON	90	\$43,715.18	89	\$43,507.91
PLEASANTS	105	\$45,837.29	100	\$45,799.56
POCAHONTAS	90	\$42,517.26	90	\$42,186.96
PRESTON	337	\$43,355.66	332	\$43,541.44
PUTNAM	656	\$47,281.71	661	\$46,710.49
RALEIGH	811	\$43,827.92	819	\$43,854.55
RANDOLPH	328	\$44,702.88	329	\$44,570.15
RITCHIE	112	\$44,314.63	112	\$43,263.20
ROANE	177	\$43,053.37	178	\$42,472.55
SUMMERS	105	\$43,426.13	103	\$42,716.08
TAYLOR	154	\$45,563.16	154	\$44,920.66
TUCKER	83	\$43,255.57	83	\$43,186.23
TYLER	111	\$44,355.98	106	\$44,152.81
UPSHUR	284	\$44,393.67	283	\$43,922.86
WAYNE	544	\$41,774.95	535	\$41,910.22
WEBSTER	124	\$42,453.64	123	\$43,106.41
WETZEL	216	\$46,522.68	217	\$44,928.78
WIRT	77	\$40,216.20	78	\$39,258.24
WOOD	917	\$45,820.75	913	\$45,370.45
WYOMING	325	\$44,525.52	332	\$43,722.02
STATE AVERAGES	19,866	\$44,057.25	19,778	\$44,261.99

NOTE: Column totals, where applicable, may not add up to 100% due to rounding.

FTE: Full Time Equivalency

**TABLE A2.12
AVERAGE SALARIES FOR BEGINNING CLASSROOM TEACHERS
BY COUNTY**

	2009-2010	2010-2011
COUNTY	AVERAGE SALARY	AVERAGE SALARY
BARBOUR	\$30,187.00	\$30,187.00
BERKELEY	\$33,000.00	\$33,000.00
BOONE	\$33,277.00	\$34,277.00
BRAXTON	\$30,187.00	\$30,187.00
BROOKE	\$30,513.00	\$31,213.00
CABELL	\$31,337.00	\$31,837.00
CALHOUN	\$30,687.00	\$30,687.00
CLAY	\$30,187.00	\$30,187.00
DODDRIDGE	\$30,187.00	\$30,187.00
FAYETTE	\$31,387.00	\$31,387.00
GILMER	\$30,187.00	\$30,187.00
GRANT	\$30,187.00	\$30,187.00
GREENBRIER	\$30,687.00	\$30,687.00
HAMPSHIRE	\$30,187.00	\$30,187.00
HANCOCK	\$31,785.00	\$31,785.00
HARDY	\$30,187.00	\$30,187.00
HARRISON	\$31,127.00	\$31,127.00
JACKSON	\$32,397.00	\$32,397.00
JEFFERSON	\$31,772.00	\$31,772.00
KANAWHA	\$31,918.00	\$31,918.00
LEWIS	\$30,187.00	\$30,187.00
LINCOLN	\$30,937.00	\$30,937.00
LOGAN	\$31,187.00	\$31,187.00
MARION	\$30,227.00	\$30,227.00
MARSHALL	\$31,452.00	\$31,452.00
MASON	\$31,312.00	\$31,312.00
MERCER	\$30,287.00	\$31,237.00
MINERAL	\$30,862.00	\$30,862.00
MINGO	\$30,687.00	\$31,187.00
MONONGALIA	\$31,412.00	\$31,412.00
MONROE	\$30,187.00	\$30,187.00
MORGAN	\$32,343.00	\$32,343.00
MCDOWELL	\$31,337.00	\$31,337.00
NICHOLAS	\$30,187.00	\$30,187.00
OHIO	\$31,387.00	\$31,387.00
PENDLETON	\$30,187.00	\$30,187.00
PLEASANTS	\$31,879.00	\$31,879.00
POCAHONTAS	\$30,187.00	\$30,187.00
PRESTON	\$30,187.00	\$30,187.00
PUTNAM	\$32,814.00	\$32,814.00
RALEIGH	\$31,237.00	\$31,487.00
RANDOLPH	\$30,187.00	\$30,187.00
RITCHIE	\$30,887.00	\$30,887.00
ROANE	\$30,187.00	\$30,187.00
SUMMERS	\$30,187.00	\$30,187.00
TAYLOR	\$30,437.00	\$30,437.00
TUCKER	\$30,187.00	\$30,187.00
TYLER	\$30,187.00	\$30,187.00
UPSHUR	\$30,187.00	\$30,187.00
WAYNE	\$30,187.00	\$30,187.00
WEBSTER	\$30,187.00	\$30,187.00
WETZEL	\$30,187.00	\$30,187.00
WIRT	\$30,187.00	\$30,187.00
WOOD	\$31,947.00	\$31,947.00
WYOMING	\$30,187.00	\$30,187.00
STATE AVERAGES	\$30,858.00	\$30,929.00

NOTE: Column totals, where applicable, may not add up to 100% due to rounding.
FTE: Full Time Equivalency

TABLE A.2.13
WEST VIRGINIA EDUCATORS
HOLDING PERMANENT LICENSES
2010-2011 SCHOOL YEAR
BY COUNTY

COUNTY	PROFESSIONAL EMPLOYEES		PERMANENT LICENSE		PERCENT OF EMPLOYEES WITH PERMANENT LICENSE	
	2009-2010	2010-2011	2009-2010	2010-2011	2009-2010	2010-2011
BARBOUR	212	210	137	128	61%	65%
BERKELEY	1,495	1,522	623	637	42%	42%
BOONE	447	451	266	262	58%	60%
BRAXTON	219	217	134	130	60%	61%
BROOKE	307	298	187	175	59%	61%
CABELL	1,064	1,075	618	612	57%	58%
CALHOUN	106	105	54	48	46%	51%
CLAY	170	170	113	107	63%	66%
DODDRIDGE	119	118	65	60	51%	55%
FAYETTE	603	616	368	351	57%	61%
GILMER	88	92	54	56	61%	61%
GRANT	172	166	85	83	50%	49%
GREENBRIER	477	486	264	240	49%	55%
HAMPSHIRE	290	290	160	158	54%	55%
HANCOCK	364	369	204	199	54%	56%
HARDY	179	178	118	120	67%	66%
HARRISON	970	991	588	570	58%	61%
JACKSON	455	445	273	274	62%	60%
JEFFERSON	711	714	305	319	45%	43%
KANAWHA	2,490	2,422	1,467	1,416	58%	59%
LEWIS	228	230	148	146	63%	65%
LINCOLN	334	342	184	169	49%	55%
LOGAN	537	539	302	299	55%	56%
MARION	707	696	439	418	60%	62%
MARSHALL	413	416	262	239	57%	63%
MASON	383	361	211	197	55%	55%
MCDOWELL	349	328	227	211	64%	65%
MERCER	835	827	480	463	56%	57%
MINERAL	396	387	238	231	60%	60%
MINGO	433	439	233	221	50%	54%
MONONGALIA	899	903	532	524	58%	59%
MONROE	177	170	87	82	48%	49%
MORGAN	232	230	92	93	40%	40%
NICHOLAS	352	349	224	219	63%	64%
OHIO	482	488	267	263	54%	55%
PENDLETON	108	107	63	60	56%	58%
PLEASANTS	132	126	78	72	57%	59%
POCAHONTAS	116	115	61	60	52%	53%
PRESTON	407	403	249	247	61%	61%
PUTNAM	792	801	479	470	59%	60%
RALEIGH	1,035	1,049	602	579	55%	58%
RANDOLPH	386	382	253	241	63%	66%
RITCHIE	141	139	88	76	55%	62%
ROANE	210	213	126	119	56%	60%
SUMMERS	138	132	82	79	60%	59%
TAYLOR	196	197	128	124	63%	65%
TUCKER	99	98	55	55	56%	56%
TYLER	137	135	83	77	57%	61%
UPSHUR	343	339	221	208	61%	64%
WAYNE	653	642	354	343	53%	54%
WEBSTER	148	147	86	86	59%	58%
WETZEL	264	264	169	161	61%	64%
WIRT	95	95	43	40	42%	45%
WOOD	1,140	1,153	692	672	58%	61%
WYOMING	377	382	241	227	59%	64%
Total State Personnel	24,612	24,559	14,162	13,716	58%	56%

TABLE B1
WEST VIRGINIA FULL-TIME EQUIVALENCY PROFESSIONAL POSTED POSITIONS BY SPECIALIZATIONS
2010-2011 SCHOOL YEAR

Professional Specializations	2009 - 2010 Status of Personnel Who Filled 2010 - 2011 Posted Positions								Posted Positions Filled By 1st Year Educators Whose Bachelor's Degree Was	
	2010 - 2011 Total Positions Posted	2010 - 2011 Posted Positions Filled	2010 - 2011 Positions Not Filled	Employed in Reporting County School System	Employed in Another WV County School System	Employed in Out-of-State School System	Employed in Higher Education	Not Employed in Education	Completed at a WV Institution	Completed at an Out-of-State Institution
<i>General Education</i>	(1)	(2)	(3)	(4)	(5)	(6)	(7)	(8)	(9)	(10)
Alternative Education	39	36	3	25	3	1	0	2	4	2
Art	49	48	1	26	2	3	1	2	15	0
Biology	51	43	8	22	2	6	0	2	10	3
Chemistry	22	18	4	6	3	0	0	3	3	4
Chinese	2	2	0	0	0	2	0	0	0	0
Dance	2	2	0	1	0	0	0	0	0	1
Driver Education/Safety Education	12	11	2	8	0	0	0	1	1	1
Early Childhood K-4	185	168	17	128	12	5	0	5	13	5
Early Education	137	137	0	110	5	3	0	6	11	2
Elementary Education	893	882	11	669	24	15	0	38	114	23
English as a Second Language	9	6	3	3	0	3	0	0	1	0
English/Language Arts	175	162	14	64	27	14	0	10	41	6
French	1	0	1	0	0	0	0	0	0	0
General Science	103	93	10	34	12	8	0	4	29	7
German	1	1	0	0	0	0	0	1	0	0
Health	60	58	2	27	6	2	0	2	21	0
Japanese	0	0	0	0	0	0	0	0	0	0
Journalism	0	0	0	0	0	0	0	0	0	0
Latin	2	1	1	1	0	0	0	0	0	0
Mathematics	227	191	36	74	28	26	1	13	35	14
Music	76	71	5	24	9	8	0	5	21	4
Oral Communications	3	2	1	1	0	0	0	0	1	0
Physical Education	98	92	6	46	7	5	0	5	28	3
Physics	10	7	3	4	0	1	0	2	0	1
Preschool Education	36	35	1	16	3	1	0	0	15	0
Reading	90	85	6	55	8	9	0	6	5	2
Reading Specialist	87	76	11	53	4	2	0	4	10	4
Russian	0	0	0	0	0	0	0	0	0	0
School Library/Media	32	29	4	19	4	3	0	0	2	1
Social Studies	143	142	1	80	25	4	1	4	24	5
Spanish	41	33	8	11	7	5	0	3	6	2
Theater	2	0	2	0	0	0	0	0	0	0
Wellness	0	0	0	0	0	0	0	0	0	0
General Education Totals	2,582	2,425	157	1,503	189	121	3	115	407	89
<i>Special Education</i>										
American Sign Language	0	0	0	0	0	0	0	0	0	0
Autism	88	65	23	22	7	4	0	0	31	2
Behavior Disorders	57	43	14	17	6	7	0	0	13	0

TABLE B1
WEST VIRGINIA FULL-TIME EQUIVALENCY PROFESSIONAL POSTED POSITIONS BY SPECIALIZATIONS
2010-2011 SCHOOL YEAR

Professional Specializations	2009 - 2010 Status of Personnel Who Filled 2010 - 2011 Posted Positions								Posted Positions Filled By 1st Year Educators Whose Bachelor's Degree Was	
	2010 - 2011 Total Positions Posted	2010 - 2011 Posted Positions Filled	2010 - 2011 Positions Not Filled	Employed in Reporting County School System	Employed in Another WV County School System	Employed in Out-of-State School System	Employed in Higher Education	Not Employed in Education	Completed at a WV Institution	Completed at an Out-of-State Institution
Gifted	35	28	7	14	4	3	0	2	5	0
Hearing Impaired	8	5	3	5	0	0	0	0	0	0
Mentally Impaired	52	46	6	27	4	2	0	5	8	0
Multi-Categorical	401	346	55	191	35	22	0	23	67	9
Preschool Special Needs	57	53	4	32	3	0	0	4	10	4
Severely/Profoundly Impaired	18	13	5	6	0	2	0	1	3	1
Specific Learning Disabilities	46	33	13	15	5	1	0	1	11	0
Visually Impaired	8	6	2	3	2	0	0	1	0	0
Special Education Totals	767	637	130	332	66	41	0	37	148	15
Administrative/Support										
Athletic Trainer	29	22	7	12	1	0	1	6	2	0
Counselor	96	89	8	40	26	4	1	7	7	4
Educational Audiologist	0	0	0	0	0	0	0	0	0	0
Principal	181	179	2	145	24	8	1	1	0	0
School Business Official	7	7	0	2	3	0	0	2	0	0
School Nurse	26	26	0	11	0	0	0	12	3	0
School Psychologist	11	10	1	0	2	1	0	4	3	0
Social Service and Attendance	11	10	1	5	0	0	0	5	0	0
Speech Language Pathologist	57	32	25	7	9	1	0	9	4	2
Superintendent	12	12	0	6	3	0	1	2	0	0
Supervisor of Instruction	21	21	0	21	0	0	0	0	0	0
Vocational Administration	6	5	1	5	0	0	0	0	0	0
Administrative/Support Totals	455	411	44	253	68	14	4	48	19	6
Career Education										
Agriculture	8	8	1	0	1	1	0	0	6	0
Business Education	45	42	3	28	5	1	0	3	6	0
Computer Science	9	9	0	6	1	0	0	0	2	0
Family and Consumer Science	24	19	6	10	3	2	0	1	2	1
Marketing	1	1	0	1	0	0	0	0	0	0
Technology Education	38	38	0	27	2	3	0	1	5	0
Career Education Totals	124	115	9	71	11	7	0	5	20	1
Other Specializations										
Career Technical/Industrial Ed.	28	28	0	7	4	1	0	14	3	0
Other	93	93	0	69	4	0	0	13	4	3
TOTALS	4,049	3,709	340	2,235	341	184	7	231	599	114

TABLE B2
WEST VIRGINIA FULL-TIME EQUIVALENCY PROFESSIONAL POSTED POSITIONS NOT FILLED AND REASONS
2010-2011 SCHOOL YEAR

Professional Specializations	Professional Positions Not Filled By Full-Time Employee Due To					
	2010 - 2011 Total Positions Posted	2010 - 2011 Positions Not Filled	Lack of Qualified Applicants	Current Fiscal Restraints	Candidate Selection In Progress	Other
General Education	(1)	(2)	(3)	(4)	(5)	(6)
Alternative Education	39	3	2	0	1	0
Art	49	1	0	0	1	0
Biology	51	8	7	0	1	0
Chemistry	22	4	3	0	1	0
Chinese	2	0	0	0	0	0
Dance	2	0	0	0	0	0
Driver Education/Safety Education	12	2	1	1	0	0
Early Childhood K-4	185	17	13	3	1	0
Early Education	137	0	0	0	0	0
Elementary Education	893	11	8	0	2	1
English as a Second Language	9	3	2	0	1	0
English/Language Arts	175	14	12	0	2	0
French	1	1	1	0	0	0
General Science	103	10	9	0	1	0
German	1	0	0	0	0	0
Health	60	2	2	0	0	0
Japanese	0	0	0	0	0	0
Journalism	0	0	0	0	0	0
Latin	2	1	1	0	0	0
Mathematics	227	36	30	1	4	1
Music	76	5	4	0	1	0
Oral Communications	3	1	1	0	0	0
Physical Education	98	6	5	0	0	1
Physics	10	3	3	0	0	0
Preschool Education	36	1	1	0	0	0
Reading	90	6	5	1	0	0
Reading Specialist	87	11	9	0	2	0
Russian	0	0	0	0	0	0
School Library/Media	32	4	3	1	0	0
Social Studies	143	1	0	0	0	1
Spanish	41	8	7	0	1	0
Theater	2	2	2	0	0	0
Wellness	0	0	0	0	0	0
General Education Totals	2,582	157	129	7	18	4
Special Education						
American Sign Language	0	0	0	0	0	0
Autism	88	23	22	1	0	0
Behavior Disorders	57	14	12	1	0	1
Gifted	35	7	5	0	2	0
Hearing Impaired	8	3	2	0	1	0
Mentally Impaired	52	6	6	0	0	0
Multi-Categorical	401	55	50	0	5	0
Preschool Special Needs	57	4	4	0	0	0
Severely/Profoundly Impaired	18	5	5	0	0	0
Specific Learning Disabilities	46	13	13	0	0	0
Visually Impaired	8	2	2	0	0	0
Special Education Totals	767	130	120	2	8	1
Administrative/Support						
Athletic Trainer	29	7	7	0	0	0
Counselor	96	8	5	1	2	0
Educational Audiologist	0	0	0	0	0	0
Principal	181	2	0	0	2	0
School Business Official	7	0	0	0	0	0
School Nurse	26	0	0	0	0	0
School Psychologist	11	1	0	1	0	0
Social Service and Attendance	11	1	1	0	0	0
Speech Language Pathologist	57	25	25	0	0	0
Superintendent	12	0	0	0	0	0
Supervisor of Instruction	21	0	0	0	0	0
Vocational Administration	6	1	1	0	0	0
Administrative/Support Totals	455	44	39	2	4	0
Career Education						
Agriculture	8	1	0	0	0	1
Business Education	45	3	2	0	1	0
Computer Science	9	0	0	0	0	0
Family and Consumer Science	24	6	5	0	0	1
Marketing	1	0	0	0	0	0
Technology Education	38	0	0	0	0	0
Career Education Totals	124	9	7	0	1	2
Other Specializations						
Career Technical/Industrial Ed.	28	0	0	0	0	0
Other	93	0	0	0	0	0
TOTALS	4,049	340	293	11	30	7

TABLE B3

WEST VIRGINIA FULL-TIME EQUIVALENCY PROFESSIONAL POSTED POSITIONS BY SPECIALIZATION

2010-2011 SCHOOL YEAR

Professional Specializations	2010 - 2011 Total Positions Posted	2010 - 2011 Posted Positions Filled	License Held By Employee For Assignment In Posted Position					Positions Filled By Educators With Permits Who Hold a Professional or Vocational Certificate in Another Area(s)
			Professional or Vocational Certificate	Temporary Certificate	Out-of-Field Authorization	Internships & Other Authorizations	Permit	
General Education	(1)	(2)	(3)	(4)	(5)	(6)	(7)	(8)
Alternative Education	39	36	23	4	0	5	4	1
Art	49	48	46	0	1	0	1	0
Biology	51	43	37	1	0	2	4	1
Chemistry	22	18	13	0	0	0	5	0
Chinese	2	2	2	0	0	0	0	0
Dance	2	2	2	0	0	0	0	0
Driver Education/Safety Education	12	11	9	0	0	0	2	0
Early Childhood K-4	185	168	168	0	0	0	0	0
Early Education	137	137	132	0	0	3	2	1
Elementary Education	893	882	876	1	0	0	5	7
English as a Second Language	9	6	6	0	1	0	0	0
English/Language Arts	175	162	156	1	1	0	4	2
French	1	0	0	0	0	0	0	0
General Science	103	93	84	0	2	0	8	3
German	1	1	0	0	1	0	0	0
Health	60	58	54	0	2	0	2	0
Japanese	0	0	0	0	0	0	0	0
Journalism	0	0	0	0	0	0	0	0
Latin	2	1	1	0	0	0	0	0
Mathematics	227	191	169	5	4	3	11	2
Music	76	71	68	1	1	0	1	0
Oral Communications	3	2	2	0	0	0	0	0
Physical Education	98	92	90	0	0	0	3	0
Physics	10	7	5	0	2	1	1	1
Preschool Education	36	35	20	0	13	2	0	2
Reading	90	85	65	0	10	0	10	4
Reading Specialist	87	76	47	1	19	0	10	8
Russian	0	0	0	0	0	0	0	0
School Library/Media	32	29	25	0	2	0	2	0
Social Studies	143	142	140	0	1	0	2	0
Spanish	41	33	25	0	4	1	3	0
Theater	2	0	0	0	0	0	0	0
Wellness	0	0	0	0	0	0	0	0
General Education Totals	2,582	2,425	2,259	13	61	16	77	31
Special Education								
American Sign Language	0	0	0	0	0	0	0	0
Autism	88	65	23	2	22	0	19	11
Behavior Disorders	57	43	23	0	8	0	12	1
Gifted	35	28	13	0	10	0	5	1
Hearing Impaired	8	5	3	0	1	1	0	0
Mentally Impaired	52	46	35	1	3	0	7	0
Multi-Categorical	401	346	219	0	37	3	87	28
Preschool Special Needs	57	53	31	1	13	0	9	11
Severely/Profoundly Impaired	18	13	6	0	5	0	2	2
Specific Learning Disabilities	46	33	22	0	1	0	10	1
Visually Impaired	8	6	1	0	1	0	4	0
Special Education Totals	767	637	376	4	100	4	154	54
Administrative/Support								
Athletic Trainer	29	22	11	2	0	4	5	3
Counselor	96	89	84	1	0	0	4	1
Educational Audiologist	0	0	0	0	0	0	0	0
Principal	181	179	177	0	0	0	2	4
School Business Official	7	7	3	1	0	2	1	0
School Nurse	26	26	21	0	0	0	5	0
School Psychologist	11	10	8	0	0	0	2	0
Social Service and Attendance	11	10	6	1	0	0	3	0
Speech Language Pathologist	57	32	28	3	0	0	1	0
Superintendent	12	12	12	0	0	0	0	0
Supervisor of Instruction	21	21	19	0	0	0	2	1
Vocational Administration	6	5	4	0	1	0	0	1
Administrative/Support Totals	455	411	372	8	1	6	25	10
Career Education								
Agriculture	8	8	8	0	0	0	0	0
Business Education	45	42	41	0	0	0	2	0
Computer Science	9	9	9	0	0	0	0	0
Family and Consumer Science	24	19	13	0	4	0	2	1
Marketing	1	1	0	0	0	0	1	1
Technology Education	38	38	28	5	0	1	4	2
Career Education Totals	124	115	97	5	4	1	8	4
Other Specializations								
Career Technical/Industrial Ed.	28	28	13	1	1	2	11	1
Other	93	93	70	7	0	10	7	0
TOTALS	4,049	3,709	3,186	38	166	39	282	99

TABLE B4
WEST VIRGINIA FULL-TIME EQUIVALENCY REASONS FOR NON-RETURNING EDUCATORS
2010-2011

REASONS FOR PROFESSIONAL EDUCATORS EMPLOYED IN 2008-2009 NOT RETURNING IN 2009-2010											
PROFESSIONAL SPECIALIZATIONS	TOTAL NON-RETURNING EDUCATORS	RETIRED	DECEASED	TERMINATED DUE TO A REDUCTION IN FORCE (RIF)	TERMINATED DUE TO REASONS OTHER THAN RIF	RESIGNED TO ACCEPT AN EDUCATION POSITION IN WV	RESIGNED TO ACCEPT AN EDUCATION POSITION OUT-OF-STATE	RESIGNED TO ACCEPT EMPLOYMENT IN A NON-EDUCATION POSITION	RESIGNED TO PURSUE FULL-TIME GRADUATE STUDIES	RECEIVED A LEAVE OF ABSENCE	OTHER/UNKNOWN
	(1)	(2)	(3)	(4)	(5)	(6)	(7)	(8)	(9)	(10)	(11)
GENERAL EDUCATION											
Alternative Education	10	2	1	0	0	4	0	0	0	0	3
Art	24	14	0	0	0	4	1	1	0	2	2
Biology	27	14	0	0	0	7	0	1	2	2	1
Chemistry	13	4	1	0	0	6	0	1	0	0	2
Chinese	0	0	0	0	0	0	0	0	0	0	0
Dance	0	0	0	0	0	0	0	0	0	0	0
Driver Education/Safety Education	6	4	0	1	0	1	0	0	0	0	0
Early Childhood K-4	73	55	1	0	0	6	4	0	0	2	5
Early Education	64	18	2	0	0	1	0	0	0	3	40
Elementary Education	262	197	1	1	1	26	10	1	2	5	19
English as a Second Language	2	0	0	0	1	0	0	0	0	0	2
English/Language Arts	84	45	1	1	2	12	6	5	0	2	10
French	2	1	0	0	0	1	0	0	0	0	0
General Science	55	22	2	0	2	9	6	2	0	3	9
German	1	0	0	0	0	0	0	0	0	0	1
Health	35	31	1	1	0	1	0	0	1	0	1
Japanese	0	0	0	0	0	0	0	0	0	0	0
Journalism	0	0	0	0	0	0	0	0	0	0	0
Latin	2	2	0	0	0	0	0	0	0	0	0
Mathematics	95	56	0	1	1	15	7	1	1	3	11
Music	52	26	1	0	0	11	3	2	2	2	6
Oral Communications	3	1	0	0	0	0	1	1	0	0	0
Physical Education	57	39	1	1	1	9	2	0	1	1	4
Physics	4	3	0	0	0	0	0	0	0	0	1
Preschool Education	8	3	0	0	0	2	0	0	0	1	6
Reading	23	13	0	0	0	2	2	0	0	1	4
Reading Specialist	24	14	1	0	0	3	1	0	0	1	4
Russian	0	0	0	0	0	0	0	0	0	0	0
School Library/Media	25	18	0	0	0	0	1	0	0	0	6
Social Studies	85	52	2	0	0	14	4	1	0	0	13
Spanish	22	11	1	0	1	4	3	0	0	0	2
Theater	1	0	0	0	0	1	0	0	0	0	0
Wellness	0	0	0	0	0	0	0	0	0	0	0
GENERAL EDUCATION TOTALS	1,255	640	16	6	8	135	51	16	8	28	148
SPECIAL EDUCATION											
American Sign Language	0	0	0	0	0	0	0	0	0	0	0
Autism	35	7	0	0	0	25	1	0	0	0	1
Behavior Disorders	9	3	0	0	0	1	4	0	0	0	1
Gifted	12	7	0	0	0	3	0	1	0	0	2
Hearing Impaired	2	1	0	0	0	0	0	0	0	0	1
Mentally Impaired	9	7	0	0	0	1	1	0	0	0	0
Multi-Categorical	114	56	1	2	1	26	4	0	1	0	23
Preschool Special Needs	11	6	0	0	0	4	0	0	0	0	1
Severely/Profoundly Impaired	4	3	0	0	0	0	0	0	0	0	1
Specific Learning Disabilities	20	0	0	0	0	12	3	0	0	0	5
Visually Impaired	5	2	0	0	0	1	0	1	0	0	1
SPECIAL EDUCATION TOTALS	220	91	1	2	1	73	13	2	1	0	36
ADMINISTRATIVE/SUPPORT											
ATHLETIC TRAINER	6	0	0	0	0	0	0	0	0	0	6
COUNSELOR	47	26	0	0	1	10	7	2	0	0	2
EDUCATIONAL AUDIOLOGIST	0	0	0	0	0	0	0	0	0	0	0
PRINCIPAL	69	45	0	0	0	16	3	1	0	2	2
SCHOOL BUSINESS OFFICIAL	7	4	0	0	0	1	1	1	0	0	0
SCHOOL NURSE	7	3	0	0	1	0	0	3	0	0	0
SCHOOL PSYCHOLOGIST	7	4	0	0	1	2	0	0	0	0	0
SOCIAL SERVICE & ATTENDANCE	5	2	0	0	0	1	0	0	0	1	1
SPEECH LANGUAGE PATHOLOGIST	31	12	1	0	1	8	3	3	0	1	2
SUPERINTENDENT	11	5	0	0	0	4	1	0	0	0	1
SUPERVISOR OF INSTRUCTION	15	14	0	0	0	1	0	0	0	0	0
VOCATIONAL ADMINISTRATION	2	1	0	0	0	0	1	0	0	0	0
ADMIN/SUPPORT TOTALS	206	116	1	0	4	42	16	9	0	4	14
VOCATIONAL EDUCATION											
Agriculture	5	1	0	0	1	2	1	0	0	0	0
Business Education	26	15	1	0	0	3	2	2	0	1	2
Computer Science	1	2	0	0	0	1	0	0	0	0	0
Family and Consumer Science	16	9	0	0	1	5	0	0	0	0	2
Marketing	0	0	0	0	0	0	0	0	0	0	0
Technology Education	5	3	0	0	0	2	0	0	0	0	0
VOCATIONAL EDUCATION TOTALS	55	30	1	0	2	13	3	2	0	1	4
OTHER SPECIALIZATIONS											
Career Technical/Industrial Ed.	12	9	0	0	0	1	0	1	0	0	1
Other	29	17	0	1	0	7	1	2	0	0	1
TOTALS	1,576	902	19	9	15	271	84	32	9	33	204

TABLE B5
WEST VIRGINIA TREND DATA AS REPORTED BY COUNTIES RELATED TO THE
EMPLOYMENT OF EDUCATORS ON LESS THAN A PROFESSIONAL LICENSE
BETWEEN 2008 - 2011

PROFESSIONAL SPECIALIZATIONS	2008 - 2009			2009- 2010			2010- 2011		
	OUT OF FIELD AUTHORIZATION	PERMIT	PERMIT HELD WITH PROFESSIONAL LICENSE	OUT OF FIELD AUTHORIZATION	PERMIT	PERMIT HELD WITH PROFESSIONAL LICENSE	OUT OF FIELD AUTHORIZATION	PERMIT	PERMIT HELD WITH PROFESSIONAL LICENSE
	(1)	(2)	(3)	(4)	(5)	(6)	(7)	(8)	(9)
GENERAL EDUCATION									
ALTERNATIVE EDUCATION	1	0	4	0	4	1	0	4	1
ART	0	5	0	2	1	0	1	1	0
BIOLOGY	2	3	0	1	8	1	0	4	1
CHEMISTRY	1	6	0	1	6	0	0	5	0
CHINESE	0	0	0	0	1	0	0	0	0
DANCE	0	0	0	0	0	0	0	0	0
DRIVER/SAFETY EDUCATION	0	0	0	0	1	0	0	2	0
EARLY CHILDHOOD K- 4	0	0	0	0	5	2	0	0	0
EARLY EDUCATION	5	3	2	1	3	1	0	2	1
ELEMENTARY EDUCATION	0	4	0	0	3	1	0	5	7
ENGLISH AS A SECOND LANGUAGE	0	0	0	1	1	0	1	0	0
ENGLISH/LANGUAGE ARTS	5	17	0	1	6	1	1	4	2
FRENCH	0	0	0	0	0	0	0	0	0
GENERAL SCIENCE	4	18	0	2	6	2	2	8	3
GERMAN	0	0	0	0	0	0	1	0	0
HEALTH	2	4	2	2	3	1	2	2	0
JAPANESE	0	0	0	0	0	0	0	0	0
JOURNALISM	0	0	0	0	0	0	0	0	0
LATIN	0	0	0	0	0	0	0	0	0
MATHEMATICS	6	21	1	3	12	1	4	11	2
MUSIC	0	3	0	1	1	0	1	1	0
ORAL COMMUNICATIONS	0	0	0	0	0	0	0	0	0
PHYSICAL EDUCATION	1	0	1	0	1	0	0	3	0
PHYSICS	0	1	0	0	4	0	2	1	1
PRESCHOOL EDUCATION	0	0	0	0	4	2	13	0	2
READING	0	0	0	1	5	1	10	10	4
READING SPECIALIST	34	36	22	18	15	6	19	10	8
RUSSIAN	0	0	0	0	0	0	0	0	0
SAFETY EDUCATION	1	1	0	0	0	0	0	0	0
SCHOOL LIBRARY/MEDIA	6	8	7	2	7	1	2	2	0
SOCIAL STUDIES	1	3	0	0	1	0	1	2	0
SPANISH	1	9	2	3	8	0	4	3	0
THEATER	0	0	0	0	0	0	0	0	0
WELLNESS	0	0	0	0	0	0	0	0	0
GENERAL EDUCATION TOTALS	67	139	40	37	103	19	61	77	31
SPECIAL EDUCATION									
AMERICAN SIGN LANGUAGE	0	0	0	0	0	0	0	0	0
AUTISM	12	18	3	16	46	8	22	19	11
BEHAVIOR DISORDERS	2	3	0	8	9	2	8	12	1
GIFTED	15	8	8	16	4	2	10	5	1
HEARING IMPAIRED	2	3	1	0	2	0	1	0	0
MENTALLY IMPAIRED	3	3	0	4	7	1	3	7	0
MULTI- CATEGORICAL	43	111	41	34	74	17	37	87	28
PRESCHOOL SPECIAL NEEDS	21	14	10	14	16	4	13	9	11
SEVERELY/PROFOUNDLY IMPAIRED	5	8	6	1	3	0	5	2	2
SPECIFIC LEARNING DISABILITIES	6	6	0	2	8	1	1	10	1
VISUALLY IMPAIRED	3	4	1	2	6	1	1	4	0
SPECIAL EDUCATION TOTALS	110	176	69	95	174	35	100	154	54
ADMINISTRATIVE/SUPPORT									
ATHLETIC TRAINER	0	5	0	1	9	2	0	5	3
COUNSELOR	2	18	0	1	6	1	0	4	1
EDUCATIONAL AUDIOLOGIST	0	0	0	0	0	0	0	0	0
PRINCIPAL	0	2	1	0	0	0	0	2	4
SCHOOL BUSINESS OFFICIAL	0	0	0	0	0	0	0	1	0
SCHOOL NURSE	0	15	0	1	8	0	0	5	0
SCHOOL PSYCHOLOGIST	0	0	0	0	3	0	0	2	0
SOCIAL SERVICE & ATTENDANCE	0	2	0	0	2	1	0	3	0
SPEECH LANGUAGE PATHOLOGIST	0	3	0	0	2	0	0	1	0
SUPERINTENDENT	0	1	0	0	0	0	0	0	0
SUPERVISOR OF INSTRUCTION	0	0	0	0	0	0	0	2	1
VOCATIONAL ADMINISTRATION	0	1	0	0	1	0	1	0	1
ADMIN/SUPPORT TOTALS	2	46	1	3	31	4	1	25	10
CAREER EDUCATION									
AGRICULTURE	0	3	2	1	0	0	0	0	0
BUSINESS EDUCATION	1	3	1	0	3	0	0	2	0

TABLE B5
 WEST VIRGINIA TREND DATA AS REPORTED BY COUNTIES RELATED TO THE
 EMPLOYMENT OF EDUCATORS ON LESS THAN A PROFESSIONAL LICENSE
 BETWEEN 2008 - 2011

PROFESSIONAL SPECIALIZATIONS	2008 - 2009			2009- 2010			2010- 2011		
	OUT OF FIELD AUTHORIZATION	PERMIT	PERMIT HELD WITH PROFESSIONAL LICENSE	OUT OF FIELD AUTHORIZATION	PERMIT	PERMIT HELD WITH PROFESSIONAL LICENSE	OUT OF FIELD AUTHORIZATION	PERMIT	PERMIT HELD WITH PROFESSIONAL LICENSE
COMPUTER SCIENCE	0	0	0	0	1	1	0	0	0
FAMILY & CONSUMER SCIENCE	3	3	1	2	5	0	4	2	1
MARKETING	0	2	1	0	0	0	0	1	1
TECHNOLOGY EDUCATION	0	4	4	1	3	0	0	4	2
VOCATIONAL EDUCATION TOTALS	4	14	9	4	12	1	4	8	4
OTHER SPECIALIZATIONS									
CAREER TECHNICAL/INDUSTRIAL ED.	0	0	0	0	0	0	1	11	1
OTHER	4	11	8	0	9	1	0	7	0
TOTALS	119	247	87	101	225	41	104	194	67

TABLE B6
WEST VIRGINIA TREND DATA FOR TOTAL POSITIONS POSTED
TOTAL NON-RETURNING EDUCATORS TERMINATED DUE TO A REDUCATION IN FORCE
BETWEEN 2008-2010

PROFESSIONAL SPECIALIZATIONS	2008-2009			2009-2010			2010-2011		
	TOTAL POSITIONS POSTED	TOTAL NON-RETURNING EDUCATORS	TERMINATED DUE TO A REDUCTION IN FORCE	TOTAL POSITIONS POSTED	TOTAL NON-RETURNING EDUCATORS	TERMINATED DUE TO A REDUCTION IN FORCE	TOTAL POSITIONS POSTED	TOTAL NON-RETURNING EDUCATORS	TERMINATED DUE TO A REDUCTION IN FORCE
	(1)	(2)	(3)	(4)	(5)	(6)	(7)	(8)	(9)
GENERAL EDUCATION									
ALTERNATIVE EDUCATION	29	15	1	26	4	0	39	10	0
ART	72	32	0	48	20	0	49	24	0
BIOLOGY	36	20	0	41	13	0	51	27	0
CHEMISTRY	30	20	1	20	5	0	22	13	0
CHINESE	0	0	0	1	1	0	2	0	0
DANCE	0	0	0	0	0	0	2	0	0
DRIVER/SAFETY EDUCATION	0	0	0	16	10	0	12	6	1
EARLY CHILDHOOD K-4	0	0	0	166	80	0	185	73	0
EARLY EDUCATION	182	39	2	54	12	1	137	64	0
ELEMENTARY EDUCATION	1,190	363	7	924	296	1	893	262	1
ENGLISH AS A SECOND LANGUAGE	0	0	0	7	1	0	9	2	0
ENGLISH/LANGUAGE ARTS	281	118	3	203	104	1	175	84	1
FRENCH	10	6	0	10	3	0	1	2	0
GENERAL SCIENCE	125	45	1	87	37	0	103	55	0
GERMAN	1	1	0	1	0	0	1	1	0
HEALTH	47	19	1	44	18	0	60	35	1
JAPANESE	0	0	0	0	0	0	0	0	0
JOURNALISM	3	0	0	3	2	0	0	0	0
LATIN	0	0	0	1	1	0	2	2	0
MATHEMATICS	229	80	2	174	58	0	227	95	1
MUSIC	106	34	2	77	39	2	76	52	0
ORAL COMMUNICATIONS	8	2	0	1	0	0	3	3	0
PHYSICAL EDUCATION	108	32	1	74	36	1	98	57	1
PHYSICS	10	2	0	9	4	0	10	4	0
PRESCHOOL EDUCATION	0	0	0	45	9	1	36	8	0
READING	0	0	0	57	13	0	90	23	0
READING SPECIALIST	244	61	3	156	33	0	87	24	0
RUSSIAN	0	0	0	0	0	0	0	0	0
SAFETY EDUCATION	13	7	0	5	1	0	0	0	0
SCHOOL LIBRARY/MEDIA	41	20	1	36	13	0	32	25	0
SOCIAL STUDIES	153	75	3	132	75	1	143	85	0
SPANISH	58	19	0	35	19	0	41	22	0
THEATRE	0	0	0	2	0	0	2	1	0
WELLNESS	0	0	0	0	0	0	0	0	0
GENERAL EDUCATION TOTALS	2,970	1,006	26	2,448	900	8	2,582	1,055	6
SPECIAL EDUCATION									
AMERICAN SIGN LANGUAGE	-	-	-	0	0	0	0	0	0
AUTISM	66	12	0	100	19	0	88	35	0
BEHAVIOR DISORDERS	47	4	0	56	8	1	57	9	0
GIFTED	46	12	0	34	14	0	35	12	0
HEARING IMPAIRED	14	4	0	9	4	0	8	2	0
MENTALLY IMPAIRED	40	12	2	47	10	2	52	9	0
MULTI-CATEGORICAL	432	109	2	303	86	3	401	114	2
PHYSICALLY HANDICAPPED	1	0	0	0	0	0	0	0	0
PRESCHOOL SPECIAL NEEDS	88	16	0	64	13	0	57	11	0
SEVERELY/PROFOUNDLY IMPAIRED	34	6	0	13	4	0	18	4	0
SPECIFIC LEARNING DISABILITIES	48	7	0	53	21	1	46	20	0
VISUALLY IMPAIRED	15	6	0	11	5	0	8	5	0
SPECIAL EDUCATION TOTALS	829	187	4	688	182	6	767	220	2
ADMINISTRATIVE/SUPPORT									
ATHLETIC TRAINER	28	3	0	24	5	0	29	6	0
COUNSELOR	137	53	0	90	42	0	96	47	0
EDUCATIONAL AUDIOLOGIST	0	0	0	0	0	0	0	0	0
PRINCIPAL	181	86	0	158	73	0	181	69	0
SCHOOL BUSINESS OFFICIAL	4	2	0	13	9	0	7	7	0
SCHOOL NURSE	28	15	0	27	11	0	26	7	0
SCHOOL PSYCHOLOGIST	9	4	0	15	7	0	11	7	0
SOCIAL SERVICE & ATTENDANCE	6	3	1	13	7	0	11	5	0
SPEECH LANGUAGE PATHOLOGIST	74	28	0	61	31	1	57	31	0
SUPERINTENDENT	8	4	0	12	11	0	12	11	0
SUPERVISOR OF INSTRUCTION	36	12	0	32	8	0	21	15	0
VOCATIONAL ADMINISTRATION	2	2	0	7	8	0	6	2	0
ADMIN/SUPPORT TOTALS	511	211	1	452	210	1	455	206	0
CAREER EDUCATION									
AGRICULTURE	14	7	1	7	4	0	8	5	0
BUSINESS EDUCATION	40	28	1	37	19	0	45	26	0
COMPUTER SCIENCE	0	0	0	6	0	0	9	3	0
FAMILY & CONSUMER SCIENCE	29	11	0	19	12	0	24	16	0
MARKETING	3	3	0	1	1	0	1	0	0
TECHNOLOGY EDUCATION	34	15	0	45	17	1	38	5	0
VOCATIONAL EDUCATION TOTALS	119	63	2	113	52	1	124	55	0
OTHER SPECIALIZATIONS									
CAREER TECHNICAL/INDUSTRIAL ED.	0	0	0	0	0	0	28	12	0
OTHER	166	54	0	100	27	0	93	29	1
TOTALS	4,594	1,520	33	3,801	1,370	16	4,049	1,576	9

**CLASSIFICATION OF SERVICE PERSONNEL
BY ASSIGNMENT AND FUNDING SOURCE (FTE BASIS)*
AS OF SECOND SCHOOL MONTH
(EXCLUDING RESA PERSONNEL)
2010-11 YEAR**

Position Assignment	State Aid Eligible	Other State Funds	Federal Funds	County Funds	Other Sources	Total
Aide	2,219.87	2.50	447.43	-	-	2,669.80
Licensed Practical Nurse	78.50	-	14.10	-	-	92.60
Paraprofessional	320.18	2.87	95.70	1.00	-	419.75
Autism Mentor	288.85	1.00	89.20	-	-	379.05
Director or Coordinator of Services	110.17	-	4.75	-	-	114.92
Accountant	127.01	-	6.35	0.50	-	133.86
Auditor	18.35	-	0.50	-	-	18.85
Buyer	6.00	-	-	-	-	6.00
Braille/Sign Language Specialist	47.25	1.50	20.75	-	-	69.50
Clerk	85.52	1.00	4.90	-	-	91.42
Secretary	1,432.56	9.68	51.86	3.58	0.50	1,498.18
Switchboard Operator/Receptionist	3.79	-	-	-	-	3.79
Computer Operator	36.98	-	-	-	-	36.98
Programmer	23.20	-	-	-	-	23.20
Draftsman	2.00	-	-	-	-	2.00
Graphic Artist	2.00	-	-	-	-	2.00
Inventory Supervisor	10.81	-	-	-	-	10.81
Printing Operator	0.25	-	-	-	-	0.25
Printing Supervisor	1.00	-	-	-	-	1.00
Accounts Payable Supervisor	22.61	-	-	-	-	22.61
Payroll Supervisor	18.83	-	-	-	-	18.83
Supervisor of Maintenance	33.95	-	-	-	-	33.95
Audiovisual Technician	1.00	-	-	-	-	1.00
Cabinet Maker	21.41	-	-	-	-	21.41
Carpenter	71.71	1.00	-	-	-	72.71
Chief Mechanic	40.45	-	-	-	-	40.45
Crew Leader	15.60	-	-	-	-	15.60
Electrician	97.41	-	-	-	-	97.41
Electronic Technician	32.33	-	-	-	-	32.33
Foreman	49.94	-	-	-	-	49.94
General Maintenance	57.01	-	-	-	-	57.01
Glazier	3.58	-	-	-	-	3.58
Handyman	7.49	-	-	-	-	7.49
Heating & Air Conditioning Mechanic	65.80	-	-	-	-	65.80
Locksmith	14.47	-	-	-	-	14.47
Lubrication Man	0.50	-	-	-	-	0.50
Mason	26.14	-	-	-	-	26.14
Mechanic Assistant	5.95	-	-	-	-	5.95
Mechanic	188.00	-	-	-	-	188.00
Office Equipment Repairman	5.25	-	-	-	-	5.25
Painter	33.01	-	-	-	-	33.01
Plumber	86.93	-	-	-	-	86.93
Roofing/Sheet Metal Mechanic	7.17	-	-	-	-	7.17
Welder	10.19	-	-	-	-	10.19
Supervisor of Transportation	37.00	-	-	-	-	37.00
School Bus Supervisor	10.00	-	-	-	-	10.00
Bus Operator	2,863.35	-	16.60	-	-	2,879.95
Heavy Equipment Operator	13.27	-	-	-	-	13.27
Truck Driver	49.68	-	-	-	-	49.68
Food Services Supervisor	4.70	-	-	-	-	4.70
Cafeteria Manager	426.69	-	-	-	-	426.69
Cook	1,762.14	-	0.50	-	-	1,762.64
Custodian	2,208.95	0.66	1.80	-	-	2,211.41
Groundsman	3.06	-	-	-	-	3.06
Watchman	0.30	-	-	-	-	0.30
Sanitation Plant Operator	18.63	-	-	-	-	18.63
Total	13,128.80	20.21	754.44	5.08	0.50	13,909.02

Note: Service personnel are presented on a regular FTE basis with full-time personnel employed beyond 200 days counted as 1.00, as opposed to an extended FTE basis where the FTE is determined by dividing each employee's number of days employed by 200 days.

OSF

12/22/10

Classification Report 11

**DISTRIBUTION OF SERVICE PERSONNEL (FTE BASIS)
BY PAY GRADE AND YEARS OF EXPERIENCE
ALL FUNDING SOURCES - ALL DISTRICTS
2010-11 YEAR**

Years Exp.	PAY GRADE										Total
	A	B	C	D	E	F	G	H	Total		
0	27.980	61.765	110.158	91.440	53.683	59.307	26.573	3.400	434.305		
1	57.430	65.515	115.415	179.975	61.997	79.575	33.475	4.680	598.062		
2	63.400	49.723	162.288	205.115	74.423	66.940	31.360	7.200	660.447		
3	68.433	69.858	161.380	239.700	80.870	94.512	61.809	14.110	790.671		
4	43.472	79.695	150.663	219.810	92.249	80.144	53.130	11.305	730.467		
5	27.330	100.618	145.606	228.370	61.438	71.707	41.730	7.950	684.748		
6	21.272	71.015	142.103	209.405	62.198	64.493	32.198	10.140	612.822		
7	13.127	72.405	114.950	208.520	66.025	58.805	39.750	4.610	578.192		
8	10.203	64.003	118.835	194.795	53.645	68.318	51.855	11.305	572.957		
9	12.462	77.165	103.277	189.500	44.055	69.815	49.433	7.225	552.933		
10	8.855	65.955	112.312	175.850	39.770	86.311	60.375	12.510	561.937		
11	12.912	64.335	112.888	170.120	39.080	68.615	53.650	12.925	534.525		
12	4.300	57.300	101.438	181.290	40.790	69.185	43.670	9.049	507.022		
13	4.788	54.090	74.676	189.330	43.180	83.360	46.010	6.505	501.938		
14	7.612	29.165	89.543	150.885	39.725	61.631	51.230	8.865	438.655		
15	3.175	37.220	96.230	151.345	31.190	45.820	48.465	12.760	426.205		
16	2.750	24.585	87.960	140.505	27.515	52.660	38.474	14.537	388.986		
17	2.650	26.040	67.718	125.380	25.933	39.430	35.305	6.755	329.209		
18	3.225	21.080	52.145	93.630	19.305	31.823	37.760	1.805	260.773		
19	1.100	17.445	48.470	82.020	16.958	25.607	19.284	11.010	221.894		
20	5.480	17.005	47.693	103.360	19.348	29.930	33.438	5.710	261.963		
21	2.788	22.245	53.450	129.290	26.420	66.548	33.930	17.680	352.350		
22	2.075	22.600	59.525	122.505	12.305	48.770	36.175	10.420	314.375		
23	3.575	9.500	58.065	101.730	24.863	42.168	38.635	2.605	281.140		
24	2.000	7.740	55.700	91.675	19.710	30.003	58.768	14.115	279.710		
25	2.075	13.605	27.565	70.310	20.480	34.278	32.040	10.525	210.877		
26	4.685	5.000	36.710	85.545	12.555	25.610	35.982	7.620	213.707		
27	3.150	4.000	40.610	76.485	16.265	24.020	21.713	10.445	196.688		
28	1.075	2.000	17.360	56.450	17.823	29.550	19.820	6.365	150.442		
29	1.075	2.040	23.290	59.620	14.530	35.016	37.815	12.235	185.621		
30	-	3.500	21.248	83.055	19.720	37.585	38.019	26.835	229.962		
31	3.275	1.000	22.015	55.465	19.060	29.920	41.090	16.340	188.164		
32	1.000	5.305	24.990	47.355	12.880	21.834	38.875	16.619	168.858		
33	-	2.000	12.685	32.015	10.205	16.765	25.876	8.655	108.201		
34	1.075	2.000	14.660	33.535	13.110	21.675	26.695	7.115	119.865		
35	1.075	-	12.125	25.085	7.220	14.415	17.465	9.820	87.205		
36	-	1.305	3.455	15.315	6.000	10.913	25.920	8.156	71.064		
37	2.075	-	2.610	14.715	8.305	15.370	10.710	7.830	61.615		
38	-	-	2.000	7.000	7.305	3.810	12.290	5.010	37.415		
39	1.075	2.000	1.000	11.305	4.000	14.085	10.030	3.870	47.365		
40+	-	-	5.045	6.605	6.075	20.005	14.970	7.525	60.225		
Total	434.028	1,231.820	2,709.850	4,655.405	1,272.203	1,850.325	1,465.787	394.141	14,013.558		

Note: Service personnel are presented on a regular FTE basis with full-time personnel employed beyond 200 days counted as 1.00, as opposed to an extended FTE basis where the FTE is determined by dividing each employee's number of days employed by 200 days.

**COUNTY BOARDS OF EDUCATION
AVERAGE CONTRACTED SALARIES - SERVICE PERSONNEL
(EXCLUDING RESA PERSONNEL)
2010-11 YEAR**

County	FTE	Average Salary
Barbour	119.500	\$ 23,780.44
Berkeley	897.800	25,809.60
Boone	243.000	28,102.29
Braxton	118.500	24,644.69
Brooke	167.500	27,163.22
Cabell	556.500	27,151.83
Calhoun	58.500	26,603.34
Clay	112.000	23,802.48
Doddridge	72.000	24,317.13
Fayette	340.500	25,651.97
Gilmer	49.500	24,456.18
Grant	98.500	24,082.56
Greenbrier	317.500	24,123.61
Hampshire	186.500	23,968.76
Hancock	195.250	26,827.46
Hardy	107.500	23,679.35
Harrison	528.500	26,332.82
Jackson	242.000	28,197.51
Jefferson	449.000	25,220.13
Kanawha	1,286.900	27,135.80
Lewis	145.500	24,561.20
Lincoln	189.000	24,709.31
Logan	326.000	25,467.38
Marion	407.000	25,513.57
Marshall	271.000	25,327.36
Mason	231.500	25,405.54
McDowell	215.500	26,197.74
Mercer	440.000	25,507.44
Mineral	235.500	26,731.76
Mingo	253.500	25,794.61
Monongalia	498.500	26,120.45
Monroe	126.005	23,462.18
Morgan	126.250	25,988.19
Nicholas	218.000	23,782.83
Ohio	239.000	28,325.94
Pendleton	63.000	25,526.72
Pleasants	76.000	28,351.96
Pocahontas	72.000	26,460.23
Preston	220.500	24,310.24
Putnam	424.500	27,329.48
Raleigh	547.500	25,792.49
Randolph	208.500	23,556.71
Ritchie	92.500	24,831.99
Roane	132.000	24,188.90
Summers	78.500	23,737.23
Taylor	119.000	24,653.34
Tucker	57.500	24,759.03
Tyler	79.500	24,915.00
Upshur	192.500	24,123.31
Wayne	388.000	23,501.19
Webster	82.500	23,520.63
Wetzel	148.500	24,612.02
Wirt	49.000	24,569.21
Wood	600.820	28,074.89
Wyoming	207.500	24,002.39
Total	13,909.024	\$ 25,808.20

OSF3

06/02/11

Avg Contracted Salary SP - All positions 11

**SERVICE PERSONNEL STATE MINIMUM MONTHLY PAY SCALE
STATE BASIC PAY SCALE WITHOUT EQUITY
FOR THE 2010-11 YEAR**

Years Exp.	PAY GRADE							
	A	B	C	D	E	F	G	H
0	1,577	1,598	1,639	1,691	1,743	1,805	1,836	1,908
1	1,609	1,630	1,671	1,723	1,775	1,837	1,868	1,940
2	1,641	1,662	1,703	1,755	1,807	1,869	1,900	1,972
3	1,673	1,694	1,735	1,787	1,839	1,901	1,932	2,004
4	1,705	1,726	1,767	1,819	1,871	1,933	1,964	2,037
5	1,737	1,758	1,799	1,851	1,903	1,965	1,996	2,069
6	1,769	1,790	1,832	1,883	1,935	1,997	2,028	2,101
7	1,802	1,822	1,864	1,915	1,967	2,029	2,060	2,133
8	1,834	1,854	1,896	1,947	1,999	2,061	2,092	2,165
9	1,866	1,886	1,928	1,980	2,031	2,093	2,124	2,197
10	1,898	1,919	1,960	2,012	2,063	2,126	2,157	2,229
11	1,930	1,951	1,992	2,044	2,095	2,158	2,189	2,261
12	1,962	1,983	2,024	2,076	2,128	2,190	2,221	2,293
13	1,994	2,015	2,056	2,108	2,160	2,222	2,253	2,325
14	2,026	2,047	2,088	2,140	2,192	2,254	2,285	2,357
15	2,058	2,079	2,120	2,172	2,224	2,286	2,317	2,389
16	2,090	2,111	2,152	2,204	2,256	2,318	2,349	2,422
17	2,122	2,143	2,185	2,236	2,288	2,350	2,381	2,454
18	2,154	2,175	2,217	2,268	2,320	2,382	2,413	2,486
19	2,187	2,207	2,249	2,300	2,352	2,414	2,445	2,518
20	2,219	2,239	2,281	2,333	2,384	2,446	2,477	2,550
21	2,251	2,271	2,313	2,365	2,416	2,478	2,509	2,582
22	2,283	2,304	2,345	2,397	2,448	2,511	2,542	2,614
23	2,315	2,336	2,377	2,429	2,481	2,543	2,574	2,646
24	2,347	2,368	2,409	2,461	2,513	2,575	2,606	2,678
25	2,379	2,400	2,441	2,493	2,545	2,607	2,638	2,710
26	2,411	2,432	2,473	2,525	2,577	2,639	2,670	2,742
27	2,443	2,464	2,505	2,557	2,609	2,671	2,702	2,774
28	2,475	2,496	2,537	2,589	2,641	2,703	2,734	2,807
29	2,507	2,528	2,570	2,621	2,673	2,735	2,766	2,839
30	2,540	2,560	2,602	2,653	2,705	2,767	2,798	2,871
31	2,572	2,592	2,634	2,685	2,737	2,799	2,830	2,903
32	2,604	2,624	2,666	2,718	2,769	2,831	2,862	2,935
33	2,636	2,656	2,698	2,750	2,801	2,863	2,895	2,967
34	2,668	2,689	2,730	2,782	2,833	2,896	2,927	2,999
35	2,700	2,721	2,762	2,814	2,866	2,928	2,959	3,031
36	2,732	2,753	2,794	2,846	2,898	2,960	2,991	3,063
37	2,764	2,785	2,826	2,878	2,930	2,992	3,023	3,095
38	2,796	2,817	2,858	2,910	2,962	3,024	3,055	3,127
39	2,828	2,849	2,890	2,942	2,994	3,056	3,087	3,159
40	2,860	2,881	2,922	2,974	3,026	3,088	3,119	3,192

Note: This schedule does not include the \$12/month supplemental pay for having a high school diploma or GED; the educational bonuses of: \$11/month for each of the following levels of college credit or comparable training in a trade or vocational school: 12, 24, 36, 48, 60, 72, 84, 96, 108, or 120 hours; \$40/month for an associate, bachelor's, master's, or doctorate degree; or \$11/month for each of the following: BA+15, MA+15, MA+30, MA+45, or MA+60; or the \$10/month shift differential pay.

OSF
03/24/10
State Salary Schedules 11

**SERVICE PERSONNEL STATE MINIMUM MONTHLY PAY SCALE
STATE EQUITY SUPPLEMENT PAY SCALE
FOR THE 2010-11 YEAR**

Years Exp.	PAY GRADE							
	A	B	C	D	E	F	G	H
0	115	115	115	115	115	115	115	115
1	115	115	115	115	115	115	115	115
2	115	115	115	115	115	115	115	115
3	115	115	115	115	115	115	115	115
4	115	115	115	115	115	115	115	115
5	115	115	115	115	115	115	115	115
6	115	115	115	115	115	115	115	115
7	115	115	115	115	115	115	115	115
8	115	115	115	115	115	115	115	115
9	115	115	115	115	115	115	115	115
10	115	115	115	115	115	115	115	115
11	115	115	115	115	115	115	115	115
12	115	115	115	115	115	115	115	115
13	115	115	115	115	115	115	115	115
14	115	115	115	115	115	115	115	115
15	115	115	115	115	115	115	115	115
16	115	115	115	115	115	115	115	115
17	115	115	115	115	115	115	115	115
18	115	115	115	115	115	115	115	115
19	115	115	115	115	115	115	115	115
20	115	115	115	115	115	115	115	115
21	115	115	115	115	115	115	115	115
22	115	115	115	115	115	115	115	115
23	115	115	115	115	115	115	115	115
24	115	115	115	115	115	115	115	115
25	115	115	115	115	115	115	115	115
26	115	115	115	115	115	115	115	115
27	115	115	115	115	115	115	115	115
28	115	115	115	115	115	115	115	115
29	115	115	115	115	115	115	115	115
30	115	115	115	115	115	115	115	115
31	115	115	115	115	115	115	115	115
32	115	115	115	115	115	115	115	115
33	115	115	115	115	115	115	115	115
34	115	115	115	115	115	115	115	115
35	115	115	115	115	115	115	115	115
36	115	115	115	115	115	115	115	115
37	115	115	115	115	115	115	115	115
38	115	115	115	115	115	115	115	115
39	115	115	115	115	115	115	115	115
40	115	115	115	115	115	115	115	115

Note: This schedule does not include the \$12/month supplemental pay for having a high school diploma or GED; the educational bonuses of: \$11/month for each of the following levels of college credit or comparable training in a trade or vocational school: 12, 24, 36, 48, 60, 72, 84, 96, 108, or 120 hours; \$40/month for an associate, bachelor's, master's, or doctorate degree; or \$11/month for each of the following: BA+15, MA+15, MA+30, MA+45, or MA+60; or the \$10/month shift differential pay.

OSF
03/24/10
State Salary Schedules 11

**SERVICE PERSONNEL STATE MINIMUM MONTHLY PAY SCALE
TOTAL MINIMUM REQUIRED PAY SCALE (BASIC PLUS EQUITY)
FOR THE 2010-11 YEAR**

Years Exp.	PAY GRADE							
	A	B	C	D	E	F	G	H
0	1,692	1,713	1,754	1,806	1,858	1,920	1,951	2,023
1	1,724	1,745	1,786	1,838	1,890	1,952	1,983	2,055
2	1,756	1,777	1,818	1,870	1,922	1,984	2,015	2,087
3	1,788	1,809	1,850	1,902	1,954	2,016	2,047	2,119
4	1,820	1,841	1,882	1,934	1,986	2,048	2,079	2,152
5	1,852	1,873	1,914	1,966	2,018	2,080	2,111	2,184
6	1,884	1,905	1,947	1,998	2,050	2,112	2,143	2,216
7	1,917	1,937	1,979	2,030	2,082	2,144	2,175	2,248
8	1,949	1,969	2,011	2,062	2,114	2,176	2,207	2,280
9	1,981	2,001	2,043	2,095	2,146	2,208	2,239	2,312
10	2,013	2,034	2,075	2,127	2,178	2,241	2,272	2,344
11	2,045	2,066	2,107	2,159	2,210	2,273	2,304	2,376
12	2,077	2,098	2,139	2,191	2,243	2,305	2,336	2,408
13	2,109	2,130	2,171	2,223	2,275	2,337	2,368	2,440
14	2,141	2,162	2,203	2,255	2,307	2,369	2,400	2,472
15	2,173	2,194	2,235	2,287	2,339	2,401	2,432	2,504
16	2,205	2,226	2,267	2,319	2,371	2,433	2,464	2,537
17	2,237	2,258	2,300	2,351	2,403	2,465	2,496	2,569
18	2,269	2,290	2,332	2,383	2,435	2,497	2,528	2,601
19	2,302	2,322	2,364	2,415	2,467	2,529	2,560	2,633
20	2,334	2,354	2,396	2,448	2,499	2,561	2,592	2,665
21	2,366	2,386	2,428	2,480	2,531	2,593	2,624	2,697
22	2,398	2,419	2,460	2,512	2,563	2,626	2,657	2,729
23	2,430	2,451	2,492	2,544	2,596	2,658	2,689	2,761
24	2,462	2,483	2,524	2,576	2,628	2,690	2,721	2,793
25	2,494	2,515	2,556	2,608	2,660	2,722	2,753	2,825
26	2,526	2,547	2,588	2,640	2,692	2,754	2,785	2,857
27	2,558	2,579	2,620	2,672	2,724	2,786	2,817	2,889
28	2,590	2,611	2,652	2,704	2,756	2,818	2,849	2,922
29	2,622	2,643	2,685	2,736	2,788	2,850	2,881	2,954
30	2,655	2,675	2,717	2,768	2,820	2,882	2,913	2,986
31	2,687	2,707	2,749	2,800	2,852	2,914	2,945	3,018
32	2,719	2,739	2,781	2,833	2,884	2,946	2,977	3,050
33	2,751	2,771	2,813	2,865	2,916	2,978	3,010	3,082
34	2,783	2,804	2,845	2,897	2,948	3,011	3,042	3,114
35	2,815	2,836	2,877	2,929	2,981	3,043	3,074	3,146
36	2,847	2,868	2,909	2,961	3,013	3,075	3,106	3,178
37	2,879	2,900	2,941	2,993	3,045	3,107	3,138	3,210
38	2,911	2,932	2,973	3,025	3,077	3,139	3,170	3,242
39	2,943	2,964	3,005	3,057	3,109	3,171	3,202	3,274
40	2,975	2,996	3,037	3,089	3,141	3,203	3,234	3,307

Note: This schedule does not include the \$12/month supplemental pay for having a high school diploma or GED; the educational bonuses of: \$11/month for each of the following levels of college credit or comparable training in a trade or vocational school: 12, 24, 36, 48, 60, 72, 84, 96, 108, or 120 hours; \$40/month for an associate, bachelor's, master's, or doctorate degree; or \$11/month for each of the following: BA+15, MA+15, MA+30, MA+45, or MA+60; or the \$10/month shift differential pay.

OSF
03/24/10
State Salary Schedules 11

**SUMMARY OF INCREASES TO SERVICE PERSONNEL
MONTHLY STATE BASIC PAY SCALE
1975-76 THROUGH 2010-11**

	Pay Grade								Exp. Incr.
	A	B	C	D	E	F	G	H	
Basic salary - 1975-76	350	370	410	460	510	570	600	670	10
Basic salary increases:									
1976-77	100	100	100	100	100	100	100	100	-
1977-78 (a)	25	25	25	25	25	25	25	25	-
1978-79	35	35	35	35	35	35	35	35	-
1979-80	28	28	28	28	28	28	28	28	3
1980-81	80	80	80	80	80	80	80	80	-
1981-82 (b)	56	56	56	56	56	56	56	56	5
1982-83	-	-	-	-	-	-	-	-	-
1983-84	-	-	-	-	-	-	-	-	-
1984-85 (c)	44	44	44	44	44	44	44	44	2
1985-86 (d)	44	44	44	44	44	44	44	44	-
1986-87	60	60	60	60	60	60	60	60	-
1987-88	-	-	-	-	-	-	-	-	-
1988-89	-	-	-	-	-	-	-	-	-
1989-90 (e)	27	27	27	27	27	27	27	27	2
1990-91	84	84	84	84	84	84	84	84	-
1991-92	17	17	17	17	17	17	17	17	-
1992-93	-	-	-	-	-	-	-	-	-
1993-94	-	-	-	-	-	-	-	-	-
1994-95 (f)	60	60	60	60	60	60	60	60	3
1995-96	--	--	--	--	--	--	--	--	-
1996-97	30	30	30	30	30	30	30	30	1
1997-98	-	-	-	-	-	-	-	-	-
1998-99 (g)	60	60	60	60	60	60	60	60	1
1999-2000 (h)	60	60	60	60	60	60	60	60	1
2000-01 (i)	60	60	60	60	60	60	60	60	1
2001-02 (j)	75	75	75	75	75	75	75	75	1
2002-03 (k)	71	71	71	71	71	71	71	71	1
2003-04	-	-	-	-	-	-	-	-	-
2004-05	-	-	-	-	-	-	-	-	-
2005-06	90	90	90	90	90	90	90	90	-
2006-07	-	-	-	-	-	-	-	-	-
2007-08 (m)	51	52	53	55	57	59	60	62	1
2008-09	70	70	70	70	70	70	70	70	-
2009-10	-	-	-	-	-	-	-	-	-
2010-11	-	-	-	-	-	-	-	-	-
Total increases	1,227	1,228	1,229	1,231	1,233	1,235	1,236	1,238	22
Basic salary 2010-11	1,577	1,598	1,639	1,691	1,743	1,805	1,836	1,908	32
Annual experience increment:									
Years 1 - 40	32	32	32	32	32	32	32	32	(m)
Maximum years for increase	40	40	40	40	40	40	40	40	
Maximum incremental increase	1,280	1,283	1,283	1,283	1,283	1,283	1,283	1,284	
Basic salary with maximum experience increment 2010-11	2,860	2,881	2,922	2,974	3,026	3,088	3,119	3,192	

Notes:

- (a) Experience increment increase extended from 10 years to 13 years.
- (b) Experience increment increase extended from 13 years to 16 years.
- (c) Salary equity began in 1984-85; salaries shown do not include salary equity. Exp. Incr. extended from 16 years to 20 years.
- (d) Experience increment increase extended from 20 years to 25 years.
- (e) Experience increment increase extended from 25 years to 30 years. Additional \$10/month provided for a high school diploma or equivalent; increases in salary was provided in second half of year.
- (f) Additional \$10/month provided for 12 college hours or comparable training in a trade or vocational school and add'l \$10/month provided for working between 6pm and 5am, or which only \$5/month is funded by the State.
- (g) Experience increment increase extended from 30 years to 36 years.
- (h) Additional \$10/month pay for college or comparable training extended to 24, 36, and 48 hours.
- (i) Exp. increment increase extended from 36 to 40 years & add'l \$10/mo. pay for college or comparable trn. extended to 60 and 72 hrs.
- (j) In addition to the \$75/mo. increase in basic salaries, the experience increment was increased by \$1/mo, HS bonus increased to \$12/mo, and the \$10 educational bonuses were extended to 84, 96, 104, and 120 college hours or comparable training and to those with BA and MA degrees; all increases were made effective the 2nd quarter.
- (k) In addition to the \$71/month increase in basic salaries, educational bonuses were extended to include BA+15, MA+15, MA+30, MA+45, MA+60, and associate and doctorate degrees; bonuses for a college degree were increased to \$40/mo. for each degree level, and remaining bonuses were increased to \$11/mo.
- (l) Increase in basic salary made effective the first day of second quarter.
- (m) Basic salaries increased by 3.5% for the 2007-08 year, which also increased the experience increment by \$1.09 per month.

**SERVICE PERSONNEL JOB TITLES BY PAY GRADE
FOR THE 2010-11 YEAR**

Pay Grade A:

501 Aide I
675 Cook I
681 Custodian I

Pay Grade B:

502 Aide II
528 Clerk I
533 WVEIS Data Entry & Admin. Clerk
547 Key Punch Operator
557 Printing Operator
601 Handyman
676 Cook II
682 Custodian II
686 Groundsman
688 Watchman

Pay Grade C:

503 Aide III
529 Clerk II
531 Clerk - Maintenance
532 Clerk - Warehouse
574 Audiovisual Technician
597 General Maintenance
613 Lubrication Man
677 Cook III
683 Custodian III

Pay Grade D:

504 Aide IV
522 Accountant I
530 Clerk - Mail
535 Secretary I
541 Switchboard Operator/Recpt.
549 Draftsman
551 Graphic Artist
555 Inventory Supervisor
559 Printing Supervisor
599 Glazier
655 Bus Operator
659 Truck Driver
672 Cafeteria Manger
684 Custodian IV

Pay Grade E:

523 Accountant II
527 Braille or Sign Language Specialist
536 Secretary II
545 Computer Operator
578 Carpenter I

Pay Grade E (Continued):

605 Heating & Air Cond. Mechanic I
623 Mechanic Assistant
635 Painter
638 Plumber I
652 School Bus Supervisor
657 Heavy Equipment Operator

Pay Grade F:

511 Licensed Practical Nurse
515 Paraprofessional
519 Autism Mentor
524 Accountant III
526 Buyer
537 Secretary III
579 Carpenter II
583 Crew Leader
587 Electrician I
591 Electronic Technician I
617 Machinist
625 Mechanic
631 Office Equipment Repairman I
641 Roofing/Sheet Metal Mechanic
644 Welder

Pay Grade G:

525 Auditor
538 Executive Secretary
560 Accounts Payable Supervisor
561 Payroll Supervisor
576 Cabinet Maker
581 Chief Mechanic
588 Electrician II
592 Electronic Technician II
595 Foreman
606 Heating & Air Cond. Mechanic II
609 Locksmith
619 Mason
633 Office Equip. Repairman II
639 Plumber II
670 Food Services Supervisor
690 Sanitation Plant Operator

Pay Grade H:

521 Director/Coordinator of Services
546 Programmer
570 Supervisor of Maintenance
650 Supervisor of Transportation

Service Job Titles

PROGRAMS

WEST VIRGINIA DEPARTMENT OF EDUCATION
Charleston, West Virginia

OFFICE OF CHILD NUTRITION

The Department administers six United States Department of Agriculture (USDA) nutrition programs for children. They include the National School Lunch Program, School Breakfast Program, Child and Adult Care Food Program, Summer Food Service Program, Fresh Fruit and Vegetable Program and the Special Milk Program. In West Virginia more than 85 million dollars assist program sponsors to provide healthful, low-cost or free meals and snacks to children and functionally impaired adults in a variety of settings, including public and private schools, child care centers, residential institutions, shelters, family day care homes, summer camps and parks. In addition to providing nutritious meals and snacks, child nutrition programs promote lifelong healthful eating practices by integrating nutrition education, creating healthy learning environments and promoting nutrition in the community.

Child nutrition programs are intended to serve the nutrition needs of all children, regardless of family income. Since the inception of the National School Lunch Act more than 50 years ago, Congress has affirmed the importance of sound nutrition to the health and welfare of children. Nutrition programs enhance learning and quality of life. Children who are well nourished achieve and perform better than those who are not.

The School Lunch Program provides lunches to students in all public schools, 17 private schools and 30 institutions. The School Breakfast Program provides breakfasts in 689 public and 9 private schools and 30 institutions. The Child and Adult Care Food Program is sponsored by 235 child care agencies and subsidizes meals and snacks in 503 centers and 1,094 homes. Two agencies sponsor nutrition programs in adult day care. The Summer Food Service Program provides meals to children in 616 summer programs (104 sponsors). The Special Milk Program provides milk to children in 8 camps and 7 private schools. Based on current records, West Virginia participants receive daily:

186,326	school lunches (59% free and reduced price)
83,864	school breakfasts (72% free and reduced price)
4,237	afterschool snacks
22,774	meals to children under child care (55% free and reduced price)
16,954	summer meals (100% free)
168	meals to functionally impaired adults
13,836	meals to children in family day care homes

The USDA Team Nutrition Training grants provide grant opportunities to schools, child care institutions, and in-service training to food service and teaching personnel.

The Fresh Fruit and Vegetable Program (FFVP) provides all children in participating schools with a variety of free fresh fruits and vegetables throughout the school day. It is an effective and creative way of introducing fresh fruits and vegetables as healthy snack options. The FFVP also encourages community partnerships to support the schools when they offer free fruit and vegetables to children during the school day. West Virginia will receive \$2,038,684 in funding to support this program in the 2011/12 school year.

Title I

Federally funded compensatory education programs in West Virginia operate under Public Law 107-110, known as the *No Child Left Behind Act of 2001* (NCLB). Title I is the largest single program of federal aid for elementary and secondary education. Therefore, Title I funding impacts the ability of districts to implement and accomplish the two missions of the United States Department of Education: enforcing equity and promoting excellence in education. The purpose of Title I is to ensure that all children have a fair, equal, and significant opportunity to obtain a high quality education and reach, at a minimum, proficiency on challenging State academic achievement standards and assessments.

The parts of Title I and the amount of funding allocated in 2010-2011 to various programs in the state are summarized in the chart below.

Title I			
Section of Title I	Purpose	Amount of Funding	Number of Districts/Schools
Part A	Provide assistance students in high poverty schools	\$89,066,367	55 districts
Part A - school imp. 4% set aside from SEA allocation	Provide assistance to Title I schools identified for improvement	\$1,137,004	16 districts 19 schools
Part D – Subpart 1 State agency programs for Neglected and Delinquent	Provide services and support to children in institutions for neglected and delinquent to assist these students in making a successful transition from institutionalization to further education or employment	\$751,326 non BOE centers	6 non BOE institutions receive services from this funding
Part D – Subpart 2 Local agency programs for Neglected and Delinquent	Provide support for the operation of local educational agency programs that involve collaboration with locally operated correctional facilities	\$353,352	5 districts

**Description of Approved IASA Title I Expenditures in West Virginia
For Instruction, By County, By Delivery Model 2010-2011**

County	Schoolwide Programs	Targeted Assistance		Total Instruction
		Schools	Other Programs	
Barbour	\$ 621,000.28	\$ -	\$ 126,000.00	\$ 747,000.28
Berkeley	2,338,144.20	-	167,373.80	2,505,518.00
Boone	947,937.71	-	75,000.00	1,022,937.71
Braxton	850,754.29	-	40,537.98	891,292.27
Brooke	515,338.91	-	6,700.00	522,038.91
Cabell	6,105,616.10	-	2,270,905.06	8,376,521.16
Calhoun	286,963.66	-	178,939.34	465,903.00
Clay	778,748.21	-	10,000.00	788,748.21
Doddridge	349,872.92	-	125,377.07	475,249.99
Fayette	2,071,171.61	-	65,900.00	2,137,071.61
Gilmer	190,367.98	-	32,414.95	222,782.93
Grant	584,013.15	-	2,000.00	586,013.15
Greenbrier	1,079,330.09	-	26,000.00	1,105,330.09
Hampshire	852,620.88	-	52,270.00	904,890.88
Hancock	634,521.03	-	96,043.68	730,564.71
Hardy	375,966.39	-	4,393.09	380,359.48
Harrison	2,032,715.06	-	576,931.43	2,609,646.49
Jackson	1,211,843.81	-	2,500.00	1,214,343.81
Jefferson	900,377.67	-	13,500.00	913,877.67
Kanawha	9,602,291.95	-	731,332.90	10,333,624.85
Lewis	652,530.91	-	1,239,311.72	1,891,842.63
Lincoln	1,271,055.00	-	-	1,271,055.00
Logan	1,773,796.55	-	92,112.86	1,865,909.41
Marion	1,661,583.51	-	1,436,702.20	3,098,285.71
Marshall	962,782.72	-	32,650.00	995,432.72
Mason	1,180,824.02	-	2,000.00	1,182,824.02
McDowell	1,283,232.11	-	1,000,767.30	2,283,999.41
Mercer	2,491,713.86	-	1,045,008.14	3,536,722.00
Mineral	693,584.98	-	376,473.02	1,070,058.00
Mingo	1,215,425.44	-	46,980.00	1,262,405.44
Monongalia	1,818,859.26	-	27,736.04	1,846,595.30
Monroe	394,564.32	-	53,142.55	447,706.87
Morgan	327,790.00	-	2,500.00	330,290.00
Nicholas	792,943.78	-	391,344.13	1,184,287.91
Ohio	1,396,100.38	-	256,865.64	1,652,966.02
Pendleton	266,474.96	-	-	266,474.96
Pleasants	186,764.38	-	4,000.00	190,764.38
Pocahontas	23,892.13	-	18,500.00	42,392.13
Preston	989,086.96	-	372,698.04	1,361,785.00
Putnam	836,399.71	-	-	836,399.71
Raleigh	3,635,837.97	-	243,557.00	3,879,394.97
Randolph	781,947.21	-	701,256.79	1,483,204.00
Ritchie	236,234.34	-	237,355.66	473,590.00
Roane	781,181.21	-	-	781,181.21
Summers	431,291.10	-	179,000.00	610,291.10
Taylor	593,402.57	-	176,174.26	769,576.83
Tucker	279,801.51	-	1,059.46	280,860.97
Tyler	308,593.15	-	59,122.04	367,715.19
Upshur	890,816.20	-	179,610.18	1,070,426.38
Wayne	2,038,004.50	-	-	2,038,004.50
Webster	540,512.00	-	-	540,512.00
Wetzel	705,309.01	-	139,704.99	845,014.00
Wirt	298,758.66	-	2,000.00	300,758.66
Wood	4,156,110.52	-	2,683,824.48	6,839,935.00
Wyoming	1,332,909.24	-	193,032.38	1,525,941.62
Totals	\$ 69,559,710.07	\$ -	\$ 15,798,608.18	\$ 85,358,318.25

**Title I Expenditures
2010-2011 Year**

County	Administrative Salaries	Professional/Service Salaries	Fixed Charges	Supplies	Equipment
Barbour	\$ 93,255.37	\$ 497,110.50	\$ 196,506.94	\$ 7,714.90	\$ 7,700.00
Berkeley	163,972.24	1,191,170.31	474,550.62	119,129.48	22,944.70
Boone	101,893.83	491,528.26	274,007.05	57,920.28	-
Braxton	47,144.76	488,548.00	172,589.48	33,035.58	33,453.01
Brooke	58,263.64	140,134.14	127,826.74	46,691.54	40,567.56
Cabell	144,464.00	1,586,877.60	758,430.40	182,922.17	80,844.35
Calhoun	54,009.20	204,502.10	89,853.36	17,158.48	8,000.00
Clay	89,106.32	537,309.97	213,243.96	30,493.96	-
Doddridge	20,672.11	198,667.00	82,024.27	32.57	-
Fayette	150,039.00	1,392,454.00	501,038.35	101,327.85	31,094.00
Gilmer	74,160.00	146,107.00	54,314.00	-	-
Grant	13,144.92	90,420.90	95,534.42	9,000.00	88,502.99
Greenbrier	144,752.76	802,269.00	335,537.18	39,190.72	400.00
Hampshire	68,500.00	437,630.00	212,259.04	36,436.89	-
Hancock	38,954.00	317,920.00	125,886.00	47,826.80	8,700.00
Hardy	29,450.00	242,593.00	93,905.08	21,936.71	-
Harrison	262,250.00	1,488,118.99	50,942.00	36,894.50	5,054.58
Jackson	81,345.00	725,192.00	309,037.00	20,785.16	-
Jefferson	157,853.00	314,247.76	209,773.00	25,000.00	2,500.00
Kanawha	119,376.90	5,587,828.70	2,095,848.23	141,176.07	58,486.75
Lewis	52,370.00	440,190.00	223,099.00	18,202.57	36,000.00
Lincoln	69,350.00	847,320.43	315,462.42	18,896.76	-
Logan	178,090.00	768,554.87	549,710.61	45,666.47	69,026.46
Marion	178,721.00	1,317,402.03	577,060.32	46,204.79	-
Marshall	67,766.55	680,530.65	284,205.19	38,362.64	300.00
Mason	192,259.59	456,220.41	274,834.78	2,000.00	-
McDowell	372,246.76	1,566,096.00	1,077,219.97	119,554.10	24,000.00
Mercer	75,476.00	2,207,355.00	847,896.57	96,266.00	-
Mineral	50,200.00	448,683.00	157,727.00	19,106.00	26,722.92
Mingo	144,500.00	946,382.00	432,020.13	108,679.69	102,682.00
Monongalia	78,468.00	1,228,984.60	376,311.81	20,752.22	-
Monroe	34,663.00	230,779.32	92,889.85	2,216.70	900.00
Morgan	8,511.31	171,264.85	81,723.65	45,038.79	1,565.98
Nicholas	93,489.00	575,489.00	269,698.55	61,001.57	-
Ohio	83,087.25	987,246.80	319,597.57	26,245.53	17,267.88
Pendleton	-	174,235.98	47,249.64	7,153.80	-
Pleasants	-	17,337.90	37,457.36	13,500.00	22,000.00
Pocahontas	22,432.00	304,198.99	90,494.00	25,558.39	127,512.20
Preston	70,324.16	352,023.86	268,908.02	40,597.06	72,658.01
Putnam	-	674,383.20	289,009.32	15,734.13	-
Raleigh	261,325.00	2,290,595.00	990,187.00	112,380.00	40,000.00
Randolph	83,867.76	827,128.04	332,819.12	10,624.96	12,087.34
Ritchie	56,990.35	152,174.00	54,339.82	20,354.99	50,701.50
Roane	25,125.38	486,362.41	170,873.94	24,774.26	-
Summers	31,620.00	510,249.40	155,498.99	38,647.97	10,000.00
Taylor	62,812.21	303,979.60	141,398.37	17,500.00	17,000.00
Tucker	28,584.00	69,469.53	59,437.77	-	-
Tyler	38,032.20	223,054.00	109,798.92	1,227.31	30,377.62
Upshur	103,666.22	706,080.51	259,204.80	38,760.48	5,000.00
Wayne	102,545.61	632,416.00	360,451.82	336,523.49	171,800.00
Webster	63,000.00	560,489.75	195,251.00	14,935.00	-
Wetzel	64,117.03	251,527.46	116,390.50	25,393.90	136,827.14
Wirt	44,019.52	106,866.28	53,757.39	26,523.78	268.49
Wood	165,000.00	920,326.26	589,174.68	113,627.10	234,285.59
Wyoming	66,368.56	623,910.07	299,048.47	231,738.53	26,000.00
Totals	\$ 4,881,635.51	\$ 39,939,936.43	\$ 16,973,315.47	\$ 2,758,422.64	\$ 1,623,231.07

**Number of Personnel Employed by Title I Funds
2010-2011 Year**

County	Teachers		Aides	
	Number	FTE	Number	FTE
Barbour	15	10.00	0	0.00
Berkeley	27	26.60	2	2.00
Boone	17	17.00	0	0.00
Braxton	12	12.00	0	0.00
Brooke	5	5.00	0	0.00
Cabell	35	35.00	2	2.00
Calhoun	5	5.00	0	0.00
Clay	11	11.00	0	0.00
Doddridge	6	5.25	1	0.25
Fayette	35	34.50	0	0.00
Gilmer	4	4.00	0	0.00
Grant	6	5.00	0	0.00
Greenbrier	16	15.00	1	0.00
Hampshire	11	11.00	0	0.00
Hancock	6	6.00	0	0.00
Hardy	5	5.00	0	0.00
Harrison	32	32.00	0	0.00
Jackson	21	21.00	0	0.00
Jefferson	9	9.00	0	0.00
Kanawha	102	101.50	0	0.00
Lewis	9	8.50	0	0.00
Lincoln	18	18.00	0	0.00
Logan	32	30.55	0	0.00
Marion	30	30.00	0	0.00
Marshall	13	13.00	0	0.00
Mason	13	13.00	0	0.00
McDowell	19	19.00	0	0.00
Mercer	28	27.50	0	0.00
Mineral	10	7.10	0	0.00
Mingo	23	23.00	0	0.00
Monongalia	17	17.00	0	0.00
Monroe	5	5.00	0	0.00
Morgan	6	5.50	0	0.00
Nicholas	12	11.00	1	0.50
Ohio	19	19.00	0	0.00
Pendleton	4	3.50	0	0.00
Pleasants	2	2.00	0	0.00
Pocahontas	5	4.50	0	0.00
Preston	12	12.00	0	0.00
Putnam	18	17.50	0	0.00
Raleigh	47	46.50	0	0.00
Randolph	21	20.75	0	0.00
Ritchie	3	3.00	0	0.00
Roane	9	8.00	0	0.00
Summers	5	5.00	0	0.00
Taylor	9	8.50	0	0.00
Tucker	4	3.50	0	0.00
Tyler	6	6.00	0	0.00
Upshur	13	13.00	0	0.00
Wayne	25	25.00	0	0.00
Webster	11	10.50	0	0.00
Wetzel	5	5.00	0	0.00
Wirt	5	5.00	0	0.00
Wood	49	48.50	0	0.00
Wyoming	19	19.00	0	0.00
Totals	906	884.75	7	4.75

Title II, Part A

Preparing, Training, and Recruiting Quality Teachers and Principals

Title II, Preparing, Training, and Recruiting High Quality Teachers and Principals was reauthorized under the Elementary and Secondary Education Act of 1965, as amended by the No Child Left Behind Act of 2002. The purpose of this program is to provide grants to State Educational Agencies, Local Educational Agencies, State agencies for higher education, and eligible partnerships in order to increase student academic achievement through strategies such as improving teacher and principal quality and increasing the number of highly qualified teachers in classrooms and highly qualified principals and assistant principals in schools. Title II also has the responsibility of holding Local Educational Agencies and schools accountable for improvements in student academic achievement. The West Virginia Department of Education's Office of Title II, Title III & System Improvement administers the elementary and secondary education portion of the Title II grant.

West Virginia received \$22,762,290 as the FY 2011 allocation; of that amount \$21,979,116 was allocated for local county school systems. The West Virginia Department of Education was allocated \$783,174 for state level training and administration. Of the funds received and administered by the West Virginia Department of Education, less than one half of one percent of the funds retained at the state level are used for statewide administration of the program.

A total of \$21,979,116 of the state allocation flowed to the 55 county school systems. Each county's allocation was based upon the total public and private non-profit school enrollments and in proportion to the county's allocation received under part A of Title I.

Examples of the variety of programs and services provided in school year 2010-2011 include:

- Participation in a variety of research based professional development activities for teachers targeted to individual county needs, including Title I and special education teachers, in collaboration and coordination with other funding sources such as Title I.
- A multi-year training program for state, RESA and local school improvement specialists targeted to improve low-performing schools.
- Support for training teacher teams from schools to collect student engagement data through the use of the Instructional Practices Inventory.
- Continued development of high quality classrooms for pre-kindergarten and kindergarten children because of the growth in this population of professionals as a result of W.Va. Code §18-5-44. This development includes: three week-long college courses specifically designed for WV Pre-k teachers and assistants, an instructional coach to help move

professional development for WV Pre-k teachers from awareness to implementation, and the development of a cadre of kindergarten teachers to address issues specific to kindergarten teaching and children.

- Provision of professional development for social studies teachers in digital resources to support students as they learn 21st Century Skills.
- Development of a network of schools that build content specific collaborative teams that regularly meet and develop knowledge of the curriculum well enough to understand what students need to know, skills in classroom assessment that will help understand whether students know that content, and develop interventions for those students who do not know the acceptable curriculum content and enrichment activities for those students who already know the curriculum. This process leads to the school becoming a professional learning community for developing 21st century skills in the students of West Virginia.
- Continued support for hiring of qualified teachers to reduce class size especially in lower grades.
- Assist school systems develop and implement highly qualified teacher plans that will increase the percentage of classes taught by a highly qualified teacher.

Math Science Partnership Program
Title II, Part B

The Math Science Partnership (MSP) program was created under the No Child Left Behind Act of 2001 (NCLB), which reauthorized the Elementary and Secondary Education Act (ESEA). The goal of the MSP program is to improve academic achievements of elementary and secondary students in mathematics and science by increasing instructional quality. In achieving this aim, the MSP must provide a minimum of a two-week summer institute for teachers with at least four follow-up days of support for teachers' learning during the school year.

The MSP is a competitive grant program awarded to partnerships between eligible county school systems and institutions of higher education. The partnerships must contain these two partners, but other partners such as community organizations, science centers and museums, professional societies, research laboratories, and business and industry organizations may participate. Successful partnerships are ones in which all the participants are willing to take risks. Each partner must have a stake in the outcome, something to gain if the partnership is successful and something to lose if it is not.

The grants are approximately \$170,000 per year for three years. For FY 2011 the West Virginia Department of Education awarded two new Math Science partnership Grants. These grants are completing the first year. There will be one additional grant awarded this year. The FY 2011 allocation to West Virginia is \$1,007.298.

Title III

Authorized under Public Law 107-110, *No Child Left Behind*, Title III subgrants support the efforts of school districts to assist limited English proficient (LEP) students to learn English and meet challenging State Content Standards and Objectives. Districts are eligible to apply for three types of Title III funding. Formula-based Federal and State Title III grants are awarded based on the number of LEP students enrolled. Immigrant grants are awarded based on significant increases in the number of immigrant LEP students. Title III funds must be used to carry out activities that use approaches and methodologies that are based on scientifically-based research on teaching LEP children and immigrant children. The funds should be used for developing and implementing new language instruction educational programs; expanding or enhancing existing language instruction educational programs; implementing school-wide or system-wide programs designed to restructure, reform, and upgrade all programs, activities, and operations related to the education of limited English proficient students. The following school systems/consortia received Title III funding in FY11.

County/Consortia	Type of Funding	Amount of Funding	Type of Funding	Amount of Funding
Berkeley	Federal Title III Formula	\$ 115,050.00	State Title III Formula	\$ 66,865.00
Boone	Federal Title III Formula		State Title III Formula	\$ 645.00
Brooke	Federal Title III Formula		State Title III Formula	\$ 1,075.00
Cabell	Federal Title III Formula	\$ 42,180.00	State Title III Formula	\$ 24,510.00
Fayette	Federal Title III Formula		State Title III Formula	\$ 1,075.00
Gilmer	Federal Title III Formula		State Title III Formula	\$ 215.00
Grant	Federal Title III Formula		State Title III Formula	\$ 2,365.00
Greenbrier	Federal Title III Formula	\$ 10,730.00	State Title III Formula	\$ 6,235.00
Hampshire	Federal Title III Formula		State Title III Formula	\$ 430.00
Hancock	Federal Title III Formula		State Title III Formula	\$ 1,290.00
Hardy	Federal Title III Formula	\$ 21,830.00	State Title III Formula	\$ 12,685.00

Harrison	Federal Title III Formula	\$ 26,270.00	State Title III Formula	\$ 15,265.00
Jefferson	Federal Title III Formula	\$ 109,150.00	State Title III Formula	\$ 63,425.00
Kanawha	Federal Title III Formula	\$ 86,950.00	State Title III Formula	\$ 50,525.00
Lewis	Federal Title III Formula		State Title III Formula	\$ 1,505.00
Marion	Federal Title III Formula		State Title III Formula	\$ 2,795.00
Mason	Federal Title III Formula		State Title III Formula	\$ 2,150.00
Mercer	Federal Title III Formula		State Title III Formula	\$ 2,150.00
Monongalia	Federal Title III Formula	\$ 93,610.00	State Title III Formula	\$ 54,395.00
Morgan	Federal Title III Formula		State Title III Formula	\$ 3,010.00
Nicholas	Federal Title III Formula		State Title III Formula	\$ 1,290.00
Ohio	Federal Title III Formula		State Title III Formula	\$ 1,075.00
Putnam/Jackson	Federal Title III Formula	\$ 18,130.00	State Title III Formula	\$ 10,535
Raleigh	Federal Title III Formula	\$ 11,840.00	State Title III Formula	\$ 6,880.00
Taylor	Federal Title III Formula		State Title III Formula	\$ 430.00
Upshur	Federal Title III Formula		State Title III Formula	\$ 430.00
Wayne	Federal Title III Formula		State Title III Formula	\$ 3,870.00

Webster	Federal Title III Formula		State Title III Formula	\$ 215.00
Wetzel	Federal Title III Formula		State Title III Formula	\$ 645.00
Wood	Federal Title III Formula	\$ 15,170.00	State Title III Formula	\$ 8,815.00
RESA 4 Consortium	Title III Formula	\$20,350.00		
RESA 6 Consortium	Title III Formula	\$20,350.00		
Monongalia County	Immigrant	\$10.000		
TOTAL	Federal Title III	\$ 601,610.00	State Title III	\$ 346,795.00

Title IV Part A

21st Century Community Learning Center Grant Program

The West Virginia Department of Education serves as the administrator for the federally funded 21st Century Learning Center (21st CCLC) grant program. The purpose of the 21st CCLC is to establish and expand community learning centers that will assist learning and development for school age children and their families during out-of-school time. The program is authorized under Title IV, Part B of the Elementary and Secondary Act, H.R.-1. Allocations for each state are based upon the state's student enrollment and Title I participation. Since 2004, West Virginia's 21st Century CCLC programs have served 102,917 children in 152 centers through the provision of meaningful academic enrichment opportunities.

The 21st Century Community Learning Center Program name, county or area served, yearly amount of funding and current year of the five-year cycle of funding is indicated in the chart below:

County/Area Served	Project Name	Current year of 5-year cycle*	Current Year of Funding 11
Braxton, Fayette, Greenbrier, Nicholas, Pocahontas, Webster (RESA IV)	SPACE (School Programs to Accelerate Curricular Excellence) Expansion	Fifth	\$196,238.98
Harrison, Preston, Lewis, Randolph, Upshur (RESA VII)	Project ISAAC (Increasing Student Achievement Advancing Communities) (Expansion 2)	Fifth	\$292,746.54

County/Area Served	Project Name	Current year of 5-year cycle*	Current Year of Funding 11
Wayne	Playmates Preschool and Child Care Centers	Fifth	\$196,238.98
Monroe		Fourth year w/ a 25% cut PLUS an additional 7.5%	\$69,375.00
RESA VII		Fourth year w/ a 25% cut PLUS an additional 7.5%	\$138,750.00

County/Area Served	Project Name	Current year of 5-year cycle*	Current Year of Funding 11
PATCH (Jackson)		Fourth year w/ a 25% cut PLUS an additional 7.5%	\$167,382.45
RESA VII		Third	\$323,750.00
Monroe County		Third	\$231,250.00
Marion County		Third	\$231,250.00
Roane PATCH 21		Third	\$231,250.00
Wayne County		Third	\$231,250.00
Mercer County		Third	\$185,000.00
Clay County		Third	\$185,000.00

County/Area Served	Project Name	Current year of 5-year cycle*	Current Year of Funding 11
Jackson PATCH		Third	\$185,000.00
Huntington Boys and Girls		Third	\$185,000.00
RESA IV		Third	\$253,820.33
McDowell County		Third	\$185,000.00
Barbour	KidREACH	Second	\$185,000.00
Wayne County	Playmates Preschool and Child Care Centers	Second	\$208,125.00
Monongalia	Kaleidoscope 21st CCLC	Second	\$185,000.00
RESA IV	Connections	Second	\$231,250.00
Partnership of African American Churches	Communités Closing the Gap	Second	\$185,000.00
Preston	Preston Co. Community Learning Centers	Second	\$185,000.00

County/Area Served	Project Name	Current year of 5-year cycle*	Current Year of Funding 11
Ritchie	S.T.A.R.S (Strategies To Accelerate Ritchie Students)	Second	\$185,000.00
RESA VII	Project ISSAC	Second	\$185,000.00
Clay	Clay County 21st CLC Expansion Project	Second	\$150,879.53
Fayette	New River Health Association, Inc./Accent Education	Second	\$139,443.32
Kanawha- The Bob Burdette Center	Charleston Exnded Learning Centers	Second	\$185,000.00
Ohio	Anchor II	Second	\$185,000.00
Lincoln	Lincoln Co. Schools 21st Century Community Learning Center	Second	\$185,000.00
Calhoun	Heads Up	Second	\$138,750.00

County/Area Served	Project Name	Current year of 5-year cycle*	Current Year of Funding 11
McDowell County	DREAMS 2 (Developing Realistic Expectations Among McDowell Students)	Second	\$159,951.00
Step by Step	WV Dreamers Afterschool Program (21st CCLC)	Second	\$166,500.00
RESA I	Project Challenge	Second	\$185,000.00
Nicholas	Project Connect	Second	\$138,750.00
			\$6,671,951.13

*** Yellow Highlighted areas are FY-11 Funding and Amounts.**

Rural and Low Income School Program Title VI, Part B, Subpart 2

The Rural and Low-Income School Program was a new program as of the passing of the No Child Left Behind Amendments to ESEA in 2001. The program targets rural school districts that serve high numbers of poor students. Not all West Virginia counties are eligible for the program, and the number of eligible counties varies from year to year. County school systems are eligible if they have 20 percent or more of the children aged 5 through 17 served by the system from families with incomes below the poverty line and all the schools served by the county are rural as defined by this program. For FY 2011 the allocation for the Rural and Low-Income School Program was \$3,154,088. Of this amount, \$2,996,383 was allocated to county school systems and \$157,705 was retained by the state for administration, monitoring, and technical assistance. The thirty-one (31) county school systems eligible for Rural and Low-Income School program funding have a great amount of flexibility in how to use the funds from this grant. The funding for this program can be used for any expense that would be eligible for funding in any of the following programs:

1. Title I, Part A - Improving academic achievement of the disadvantaged.
2. Title II, Part A - Recruitment, retention and professional development for teachers and principals.
3. Title II, Part D – Educational technology.
4. Title III - Language instruction for limited English proficient students.
5. Title IV – Providing for safe and drug free schools and communities.
6. Parental Involvement in any program.

Once a county school system is identified for improvement they may only continue to use the funds in this program if it is spent for school improvement activities targeted at the reason they were identified.

The largest portion of this grant in eligible counties in West Virginia supports teacher professional development activities and provides for integration of technology into the curriculum.

SECOND MONTH REPORT CHILD COUNT

The eligible count of students with exceptionalities is reported to the Office of School Finance for computation of adjusted enrollment in the Public School Support Program. Prior to 2008-2009, students with exceptionalities receiving special education services by the end of the second school month received additional weighting in the school-aid formula to yield the county's adjusted enrollment. Beginning in FY09, legislative revisions to the Public School Support Program based funding primarily on net enrollment. For the first five years, however, districts projected to receive less funding under the new computation continue to receive an adjustment based on the amount they would have received using the adjusted enrollment calculation.

The total number of exceptional students at the end of the second school month for the 2010-2011 school year was 48,521. The eligible count for the 2009-2010 school year was 49,827. Therefore, FY11 shows a decrease of 1,306 students. These counts do not include students in institutional programs or West Virginia Schools for the Deaf and the Blind, which are not included in the Public School Support Program.

**Second Month Count of Students with Exceptionalities
2010-2011**

Barbour	412	Mingo	670
Berkeley	2981	Monongalia	2055
Boone	908	Monroe	307
Braxton	437	Morgan	351
Brooke	755	McDowell	657
Cabell	2028	Nicholas	846
Calhoun	157	Ohio	956
Clay	355	Pendleton	248
Doddridge	245	Pleasants	235
Fayette	979	Pocahontas	207
Gilmer	153	Preston	1001
Grant	377	Putnam	1790
Greenbrier	999	Raleigh	1872
Hampshire	629	Randolph	796
Hancock	859	Ritchie	312
Hardy	322	Roane	464
Harrison	2190	Summers	199
Jackson	876	Taylor	380
Jefferson	1235	Tucker	179
Kanawha	4576	Tyler	286
Lewis	532	Upshur	688
Lincoln	765	Wayne	1313
Logan	731	Webster	198
Marion	1275	Wetzel	547
Marshall	858	Wirt	147
Mason	806	Wood	2365
Mercer	1389	Wyoming	819
Mineral	804	State Total	48,521

**STATE FUNDING FOR THE EDUCATION OF STUDENTS WITH EXCEPTIONALITIES
IN
WEST VIRGINIA FOR SCHOOL YEAR 2010-2011**

SOURCE	PURPOSE	DISTRIBUTION	AMOUNT
0314-159 Aid for Exceptional Students			
County Grant Awards	To provide funding which may be expended by county boards of education for the initiation, maintenance and/or improvement of special education programs for school-age and preschool students with exceptionalities.	See Attachment	\$ 6,036,822.00
RESA Special Education Support	To assist county school districts in the planning, implementation and provision of special education and related services to exceptional students and to provide leadership to targeted schools in improving results for students with disabilities.	\$ 47,000 per RESA	\$ 376,000.00
Out-of-County Reimbursement	To provide partial reimbursement to counties for the provision of special education and related services to students placed in facilities operated or supported by the Department of Health and Human Resources and the Department of Corrections.	End-of-year reimbursement; based on number of students placed and available funding.	\$ 558,935.00
Out-of-State Instruction	To provide partial funding for students and youth with severe disabilities who are served in out-of-state placements.	Bi-annual reimbursement program; based on cost of placement, number of districts applying and available dollars.	\$ 300,000.00
Sub-total			\$ 7,271,757.00

STATE FUNDING FOR THE EDUCATION OF STUDENTS WITH EXCEPTIONALITIES (continued)

IN
WEST VIRGINIA FOR SCHOOL YEAR 2010-2011

SOURCE	PURPOSE	DISTRIBUTION	AMOUNT
0314-160 Aid for Exceptional Students			
State Department Administration	Department of Education personnel salaries and expenses.	None	\$ 490,000.00
	Office of Institutional Education Programs		\$ 3,153,819.00
Special State Projects	To assist in the support of Medicaid and gifted administration costs.		\$ 22,500.00
0314-634 High Acuity Special Needs	To support children with high acuity needs		\$ 250,000.00
0313-097 Sp Ed MOE Supp	To support children with high acuity needs		\$526,522.00
0320 Schools for the Deaf and the Blind	To operate the West Virginia Schools for the Deaf and the Blind.	State Appropriation	\$ 12,716,474.00
	Sub-total		\$ 17,159,315.00
	TOTAL		\$ 24,431,072.00

**STATE FUNDING FOR THE EDUCATION OF STUDENTS WITH EXCEPTIONALITIES
IN
WEST VIRGINIA FOR SCHOOL YEAR 2010-2011**

SOURCE	PURPOSE	DISTRIBUTION	AMOUNT
0314-159 Aid for Exceptional Students			
County Grant Awards	To provide funding which may be expended by county boards of education for the initiation, maintenance and/or improvement of special education programs for school-age and preschool students with exceptionalities.	See Attachment	\$6,036,822.00
RESA Special Education Support	To assist county school districts in the planning, implementation and provision of special education and related services to exceptional students and to provide leadership to targeted schools in improving results for students with disabilities.	\$47,000 per RESA	\$ 376,000.00
Out-of-County Reimbursement	To provide partial reimbursement to counties for the provision of special education and related services to students placed in facilities operated or supported by the Department of Health and Human Resources and the Department of Corrections.	End-of-year reimbursement; based on number of students placed and available funding.	\$ 558,935.00
Out-of-State Instruction	To provide partial funding for students and youth with severe disabilities who are served in out-of-state placements.	Bi-annual reimbursement program; based on cost of placement, number of districts applying and available dollars.	\$ 300,000.00
Sub-total			\$7,271,757.00

**STATE FUNDING FOR THE EDUCATION OF STUDENTS WITH EXCEPTIONALITIES
IN
WEST VIRGINIA FOR SCHOOL YEAR 2010-2011**

SOURCE	PURPOSE	DISTRIBUTION	AMOUNT
0314-159 Aid for Exceptional Students	To provide funding which may be expended by county boards of education for the initiation, maintenance and/or improvement of special education programs for school-age and preschool students with exceptionalities.	See Attachment	\$6,036,822.00
RESA Special Education Support	To assist county school districts in the planning, implementation and provision of special education and related services to exceptional students and to provide leadership to targeted schools in improving results for students with disabilities.	\$47,000 per RESA	\$ 376,000.00
131 Out-of-County Reimbursement	To provide partial reimbursement to counties for the provision of special education and related services to students placed in facilities operated or supported by the Department of Health and Human Resources and the Department of Corrections.	End-of-year reimbursement; based on number of students placed and available funding.	\$ 558,935.00
Out-of-State Instruction	To provide partial funding for students and youth with severe disabilities who are served in out-of-state placements.	Bi-annual reimbursement program; based on cost of placement, number of districts applying and available dollars.	\$ 300,000.00
		Sub-total	\$7,271,757.00

STATE FUNDING FOR THE EDUCATION OF STUDENTS WITH EXCEPTIONALITIES (continued)
IN
WEST VIRGINIA FOR SCHOOL YEAR 2010-2011

SOURCE	PURPOSE	DISTRIBUTION	AMOUNT
0314-160 Aid for Exceptional Students			
State Department Administration	Department of Education personnel salaries and expenses.	None	\$490,000.00
	Office of Institutional Education Programs		\$3,153,819.00
Special State Projects	To assist in the support of Medicaid and gifted administration costs.		\$ 22,500.00
0314-634 High Acuity Special Needs	To support children with high acuity needs		\$250,000.00
0313-097 Sp Ed MOE Supp	To support children with high acuity needs		\$526,522.00
0320 Schools for the Deaf and the Blind	To operate the West Virginia Schools for the Deaf and the Blind.	State Appropriation	\$12,716,474.00
	Sub-total		\$17,159,315.00
	TOTAL		\$24,431,072.00

MEDICAID

For more than 15 years, the West Virginia Department of Education (WVDE) has been authorized to seek federal Medicaid reimbursement for health-related services that are part of a student's Individualized Education Program (IEP). The reimbursable services are speech, physical and occupational therapies, psychological services, audiology and private duty nursing services provided to eligible students.

In January 2000, in collaboration with the Department of Health and Human Resources, the WVDE included six (6) additional services to be reimbursed by Medicaid. Those services are initial/reevaluation treatment planning, annual/update treatment planning, care coordination, personal care services and specialized transportation vehicles and aides. The rates for these services are calculated based on school districts' costs.

The WVDE developed a system for billing these services directly with the eight (8) Regional Education Service Agencies (RESAs) acting as the billing/processing agents for the Local Education Agencies (LEAs). The billing system was incorporated into the West Virginia Education Information System (WVEIS), establishing an electronic billing record. Data may be entered from either the LEA or RESA level.

As a result, \$50.5 million in federal Medicaid reimbursement was received by LEAs statewide in FY 2011. West Virginia returns 100 percent of its federal Medicaid reimbursement to the LEAs and RESAs using state and local education funds to certify the State's match.

PRESCHOOL CHILDREN WITH DISABILITIES

In the 2010-2011 school year, special education and related services were provided to 5607 children ages 3-5, including children identified as having developmentally delay, speech-language impairment and other disabilities as per available information. These services promoted their skills in all developmental areas. In addition, each eligible family is involved in an active partnership with education to enhance the child's development and promote family empowerment.

SERVICES TO STUDENTS WITH DEAFBLINDNESS

One hundred twenty-two (122) children, birth through 21, have been identified as deafblind in West Virginia based on the DeafBlind Census, conducted annually by the WVDE. These are children with hearing and visual impairments occurring together, the combination of which causes such severe communication and other developmental and educational challenges that they cannot be appropriately educated in special education programs solely for children with deafness or blindness. Federal funds appropriated under this program are to improve special education and related services for these children. The project currently serves the one hundred twenty-two (122) children who are deafblind and their families, teachers and service providers throughout the state.

**FEDERAL FUNDING FOR THE EDUCATION OF STUDENTS WITH DISABILITIES
IN
WEST VIRGINIA FOR SCHOOL YEAR 2010-2011**

SOURCE	PURPOSE	DISTRIBUTION	AMOUNT
Individuals with Disabilities Education Act (IDEA 2004)			
IDEA, Part B (FY 11)	To expand, improve and maintain direct services to children and youth with disabilities and support state-level administration.	88% flow through to counties, WVSDB* and OIEP**based on base year child counts and population and poverty levels, 1% for a high needs fund for distribution to counties, 9% for projects and 2% of grant for administration (See attachment for flow through amounts).	\$66,177,437.00
			\$ 761,148.00
			\$ 6,850,331.00
			\$ 1,635,066.00
		Sub-total	\$ 75,423,982.00
IDEA, Section 619 Preschool Grant (FY 11)	To assist in the provision of services to preschool children with disabilities.	74% flow through to counties and WVSDB based on base year child counts and population and poverty levels, 21% for discretionary projects and 5% of grant for administration (See attachment for flow through amounts).	\$ 2,529,043.00
			\$ 719,707.00
			\$ 179,927.00
		Sub-total	\$ 3,428,677.00
		TOTAL	\$78,852,659.00

*WV Schools for the Deaf and the Blind (WVSDB)

**Office of Institutional Education Programs (OIEP), West Virginia Department of Education, provides services to state operated programs and facilities under the West Virginia Department of Juvenile Services.

**FEDERAL FUNDING FOR THE EDUCATION OF STUDENTS WITH DISABILITIES
IN
WEST VIRGINIA FOR SCHOOL YEAR 2010-2011**

SOURCE	PURPOSE	DISTRIBUTION	AMOUNT
Individuals with Disabilities Education Act (IDEA 2004)			
IDEA, Part B (FY 11)	To expand, improve and maintain direct services to children and youth with disabilities and support state-level administration.	88% flow through to counties, WVSDDB* and OIEP**based on base year child counts and population and poverty levels, 1% for a high needs fund for distribution to counties, 9% for projects and 2% of grant for administration (See attachment for flow through amounts).	\$66,177,437.00
		Sub-total	\$ 761,148.00
			\$ 6,850,331.00
			<u>\$ 1,635,066.00</u>
			\$ 75,423,982.00
IDEA, Section 619 Preschool Grant (FY 11)	To assist in the provision of services to preschool children with disabilities.	74% flow through to counties and WVSDDB based on base year child counts and population and poverty levels, 21% for discretionary projects and 5% of grant for administration (See attachment for flow through amounts).	\$ 2,529,043.00
			\$ 719,707.00
			<u>\$ 179,927.00</u>
		Sub-total	\$ 3,428,677.00
		TOTAL	\$78,852,659.00

*WV Schools for the Deaf and the Blind (WVSDDB)

**Office of Institutional Education Programs (OIEP), West Virginia Department of Education, provides services to state operated programs and facilities under the West Virginia Department of Juvenile Services.

INDIVIDUALS WITH DISABILITIES EDUCATION ACT (IDEA)

The Office of Special Programs is responsible for the general supervision of the Individuals with Disabilities Education Act (IDEA) in West Virginia. In addition, the office is responsible for monitoring the instructional programs for students with disabilities placed in out-of-state facilities by the court system. The office coordinates and monitors all local educational agencies (LEAs) to ensure that they are administering and complying with the requirements of IDEA, and provides technical assistance and training to school districts, teachers, and other stakeholders.

The following pages reflect the state and federal funds administered by the office for the education of students with disabilities.

TABLE 1
COUNTY BOARDS OF EDUCATION, WVSD&B, & OIEP
SPECIAL EDUCATION - SCHOOL AGE ALLOCATION PROJECTIONS
8715-096 IDEA PART B (611)
FOR THE 2010-2011 YEAR

County	1998 Child Count	Base Amount	County Population	Private Population	Cnty/Private Total Population	Population Amount	Poverty Count	Poverty Amount	Total School Age Entitlement
BARBOUR	456	\$ 209,048	2478	46	2524	\$ 313,624	1519	\$ 67,044	\$ 589,716
BERKELEY	1760	\$ 806,853	17446	985	18431	\$ 2,290,173	7881	\$ 347,841	\$ 3,444,867
BOONE	890	\$ 408,011	4672	57	4729	\$ 587,609	2436	\$ 107,517	\$ 1,103,137
BRAXTON	581	\$ 266,353	2230	0	2230	\$ 277,092	1320	\$ 58,260	\$ 601,705
BROOKE	683	\$ 313,114	3404	0	3404	\$ 422,969	1597	\$ 70,486	\$ 806,569
CABELL	2317	\$ 1,062,204	12552	1203	13755	\$ 1,709,149	6458	\$ 285,035	\$ 3,056,388
CALHOUN	289	\$ 132,489	1104	0	1104	\$ 137,179	717	\$ 31,646	\$ 301,314
CLAY	349	\$ 159,995	2043	28	2071	\$ 257,335	1396	\$ 61,615	\$ 478,945
DODDRIDGE	239	\$ 109,567	1169	9	1178	\$ 146,374	730	\$ 32,220	\$ 288,161
FAYETTE	1261	\$ 578,092	6759	352	7111	\$ 883,589	4054	\$ 178,930	\$ 1,640,611
GILMER	247	\$ 113,235	939	0	939	\$ 116,677	573	\$ 25,290	\$ 255,202
GRANT	353	\$ 161,829	1935	39	1974	\$ 245,283	1032	\$ 45,549	\$ 452,661
GREENBRIER	1061	\$ 486,404	5285	303	5588	\$ 694,346	2877	\$ 126,981	\$ 1,307,731
HAMPSHIRE	584	\$ 267,729	3653	0	3653	\$ 453,909	2212	\$ 97,630	\$ 819,268
HANCOCK	686	\$ 314,489	4311	639	4950	\$ 615,070	1955	\$ 86,287	\$ 1,015,846
HARDY	421	\$ 193,003	2307	0	2307	\$ 286,660	1190	\$ 52,523	\$ 532,186
HARRISON	2054	\$ 941,634	11196	622	11818	\$ 1,468,464	5217	\$ 230,261	\$ 2,640,359
JACKSON	856	\$ 392,424	5040	70	5110	\$ 634,951	2345	\$ 103,501	\$ 1,130,876
JEFFERSON	1124	\$ 515,286	8595	172	8767	\$ 1,089,357	2930	\$ 129,321	\$ 1,733,964
KANAWHA	4551	\$ 2,086,358	28481	2065	30546	\$ 3,795,542	15042	\$ 663,904	\$ 6,545,804
LEWIS	513	\$ 235,179	2650	140	2790	\$ 346,676	1542	\$ 68,059	\$ 649,914
LINCOLN	904	\$ 414,429	3626	0	3626	\$ 450,554	2444	\$ 107,870	\$ 972,853
LOGAN	1048	\$ 480,444	6431	145	6576	\$ 817,111	3545	\$ 156,465	\$ 1,454,020
MARION	1215	\$ 557,004	8116	250	8366	\$ 1,039,531	4040	\$ 178,312	\$ 1,774,847
MARSHALL	1041	\$ 477,235	4821	589	5410	\$ 672,228	2415	\$ 106,590	\$ 1,256,053
MASON	970	\$ 444,686	4308	50	4358	\$ 541,510	2363	\$ 104,295	\$ 1,090,491
MCDOWELL	1164	\$ 533,623	3674	36	3710	\$ 460,992	2974	\$ 131,263	\$ 1,125,878
MERCER	1650	\$ 756,425	9552	243	9795	\$ 1,217,093	5573	\$ 245,974	\$ 2,219,492
MINERAL	812	\$ 372,253	4460	38	4498	\$ 558,906	2091	\$ 92,290	\$ 1,023,449
MINGO	1072	\$ 491,447	4586	219	4805	\$ 597,053	3032	\$ 133,822	\$ 1,222,322
MONONGALIA	1414	\$ 648,233	10459	950	11409	\$ 1,417,643	4273	\$ 188,596	\$ 2,254,472
MONROE	373	\$ 170,998	1945	47	1992	\$ 247,519	1166	\$ 51,463	\$ 469,980
MORGAN	298	\$ 136,615	2655	0	2655	\$ 329,901	1388	\$ 61,262	\$ 527,778
NICHOLAS	813	\$ 372,711	4042	158	4200	\$ 521,878	2353	\$ 103,854	\$ 998,443
OHIO	924	\$ 423,598	5285	1794	7079	\$ 879,612	2430	\$ 107,252	\$ 1,410,462
PENDLETON	234	\$ 107,275	1085	0	1085	\$ 134,818	621	\$ 27,409	\$ 269,502
PLEASANTS	285	\$ 130,655	1299	30	1329	\$ 165,137	639	\$ 28,203	\$ 323,995
POCAHONTAS	280	\$ 128,363	1202	4	1206	\$ 149,853	734	\$ 32,396	\$ 310,612
PRESTON	932	\$ 427,265	4628	0	4628	\$ 575,059	2551	\$ 112,593	\$ 1,114,917
PUTNAM	1561	\$ 715,624	9517	541	10058	\$ 1,249,773	3538	\$ 156,156	\$ 2,121,553
RALEIGH	2041	\$ 935,675	12340	506	12846	\$ 1,596,200	6330	\$ 279,385	\$ 2,811,260
RANDOLPH	830	\$ 380,505	4356	0	4356	\$ 541,262	2409	\$ 106,325	\$ 1,028,092
RITCHIE	377	\$ 172,832	1626	7	1633	\$ 202,911	823	\$ 36,325	\$ 412,068
ROANE	573	\$ 262,686	2554	24	2578	\$ 320,333	1576	\$ 69,559	\$ 652,578
SUMMERS	317	\$ 145,325	1548	89	1637	\$ 203,408	995	\$ 43,916	\$ 392,649
TAYLOR	456	\$ 209,048	2450	4	2454	\$ 304,926	1251	\$ 55,215	\$ 569,189
TUCKER	176	\$ 80,685	1096	0	1096	\$ 136,185	639	\$ 28,203	\$ 245,073
TYLER	299	\$ 137,073	1482	0	1482	\$ 184,148	836	\$ 36,898	\$ 358,119
UPSHUR	642	\$ 294,318	3825	24	3849	\$ 478,264	2137	\$ 94,320	\$ 866,902
WAYNE	1417	\$ 649,609	7556	0	7556	\$ 938,883	3793	\$ 167,410	\$ 1,755,902
WEBSTER	357	\$ 163,663	1577	0	1577	\$ 195,953	1134	\$ 50,051	\$ 409,667
WETZEL	702	\$ 321,824	2864	0	2864	\$ 355,871	1431	\$ 63,160	\$ 740,855
WIRT	220	\$ 100,857	967	6	973	\$ 120,902	562	\$ 24,805	\$ 246,564
WOOD	1950	\$ 893,957	13486	921	14407	\$ 1,790,165	6724	\$ 296,775	\$ 2,980,897
WYOMING	887	\$ 406,636	4161	37	4198	\$ 521,629	2481	\$ 109,503	\$ 1,037,768
WV Sch D & B	152	\$ 69,683	160	0	160	\$ 19,881	120	\$ 5,296	\$ 94,860
OFC OF INST E	273	\$ 125,154	674	0	674	\$ 83,749	674	\$ 29,748	\$ 238,651
TOTALS	49934	22,891,709	282662	13442	296104	36,792,869	147108	\$ 6,492,859	\$ 66,177,437

TABLE 3
COUNTY BOARDS OF EDUCATION & WVSD&B
SPECIAL EDUCATION - PRESCHOOL ALLOCATION PROJECTIONS
8715-096 IDEA PART B (619)
FOR THE 2010-2011 YEAR

County	1996 Child Count	Base Amount	County Population	Private Population	Cnty/Private Total Population	Population Amount	Poverty Count	Poverty Amount	Total PS Entitlement
BARBOUR	48	\$ 23,306	2478	46	2524	\$ 316	1519	\$ 68	\$ 23,690
BERKELEY	100	\$ 48,555	17446	985	18431	\$ 2,308	7881	\$ 351	\$ 51,214
BOONE	88	\$ 42,728	4672	57	4729	\$ 592	2436	\$ 109	\$ 43,429
BRAXTON	104	\$ 50,497	2230	0	2230	\$ 279	1320	\$ 59	\$ 50,835
BROOKE	46	\$ 22,335	3404	0	3404	\$ 426	1597	\$ 71	\$ 22,832
CABELL	201	\$ 97,595	12552	1203	13755	\$ 1,723	6458	\$ 288	\$ 99,606
CALHOUN	65	\$ 31,561	1104	0	1104	\$ 138	717	\$ 32	\$ 31,731
CLAY	20	\$ 9,711	2043	28	2071	\$ 259	1396	\$ 62	\$ 10,032
DODDRIDGE	7	\$ 3,399	1169	9	1178	\$ 148	730	\$ 33	\$ 3,580
FAYETTE	199	\$ 96,624	6759	352	7111	\$ 890	4054	\$ 181	\$ 97,695
GILMER	34	\$ 16,509	939	0	939	\$ 118	573	\$ 26	\$ 16,653
GRANT	31	\$ 15,052	1935	39	1974	\$ 247	1032	\$ 46	\$ 15,345
GREENBRIER	131	\$ 63,607	5285	303	5588	\$ 700	2877	\$ 128	\$ 64,435
HAMPSHIRE	65	\$ 31,561	3653	0	3653	\$ 457	2212	\$ 99	\$ 32,117
HANCOCK	34	\$ 16,509	4311	639	4950	\$ 620	1955	\$ 87	\$ 17,216
HARDY	40	\$ 19,422	2307	0	2307	\$ 289	1190	\$ 53	\$ 19,764
HARRISON	213	\$ 103,422	11196	622	11818	\$ 1,480	5217	\$ 232	\$ 105,134
JACKSON	180	\$ 87,399	5040	70	5110	\$ 640	2345	\$ 105	\$ 88,144
JEFFERSON	63	\$ 30,590	8595	172	8767	\$ 1,098	2930	\$ 131	\$ 31,819
KANAWHA	441	\$ 214,126	28481	2065	30546	\$ 3,825	15042	\$ 670	\$ 218,621
LEWIS	77	\$ 37,387	2650	140	2790	\$ 349	1542	\$ 69	\$ 37,805
LINCOLN	110	\$ 53,410	3626	0	3626	\$ 454	2444	\$ 109	\$ 53,973
LOGAN	110	\$ 53,410	6431	145	6576	\$ 823	3545	\$ 158	\$ 54,391
MARION	109	\$ 52,925	8116	250	8366	\$ 1,048	4040	\$ 180	\$ 54,153
MARSHALL	119	\$ 57,780	4821	589	5410	\$ 677	2415	\$ 108	\$ 58,565
MASON	130	\$ 63,121	4308	50	4358	\$ 546	2363	\$ 105	\$ 63,772
MCDOWELL	42	\$ 20,393	3674	36	3710	\$ 465	2974	\$ 133	\$ 20,991
MERCER	193	\$ 93,711	9552	243	9795	\$ 1,227	5573	\$ 248	\$ 95,186
MINERAL	92	\$ 44,670	4460	38	4498	\$ 563	2091	\$ 93	\$ 45,326
MINGO	67	\$ 32,532	4586	219	4805	\$ 602	3032	\$ 135	\$ 33,269
MONONGALIA	118	\$ 57,295	10459	950	11409	\$ 1,429	4273	\$ 190	\$ 58,914
MONROE	63	\$ 30,590	1945	47	1992	\$ 249	1166	\$ 52	\$ 30,891
MORGAN	22	\$ 10,682	2655	0	2655	\$ 332	1388	\$ 62	\$ 11,076
NICHOLAS	72	\$ 34,959	4042	158	4200	\$ 526	2353	\$ 105	\$ 35,590
OHIO	115	\$ 55,838	5285	1794	7079	\$ 886	2430	\$ 108	\$ 56,832
PENDLETON	37	\$ 17,965	1085	0	1085	\$ 136	621	\$ 28	\$ 18,129
PLEASANTS	47	\$ 22,821	1299	30	1329	\$ 166	639	\$ 28	\$ 23,015
POCAHONTAS	44	\$ 21,364	1202	4	1206	\$ 151	734	\$ 33	\$ 21,548
PRESTON	48	\$ 23,306	4628	0	4628	\$ 580	2551	\$ 114	\$ 24,000
PUTNAM	67	\$ 32,532	9517	541	10058	\$ 1,260	3538	\$ 158	\$ 33,950
RALEIGH	237	\$ 115,075	12340	506	12846	\$ 1,609	6330	\$ 282	\$ 116,966
RANDOLPH	49	\$ 23,792	4356	0	4356	\$ 545	2409	\$ 107	\$ 24,444
RITCHIE	54	\$ 26,220	1626	7	1633	\$ 204	823	\$ 37	\$ 26,461
ROANE	95	\$ 46,127	2554	24	2578	\$ 323	1576	\$ 70	\$ 46,520
SUMMERS	20	\$ 9,711	1548	89	1637	\$ 205	995	\$ 44	\$ 9,960
TAYLOR	71	\$ 34,474	2450	4	2454	\$ 307	1251	\$ 56	\$ 34,837
TUCKER	35	\$ 16,994	1096	0	1096	\$ 137	639	\$ 28	\$ 17,159
TYLER	38	\$ 18,451	1482	0	1482	\$ 186	836	\$ 37	\$ 18,674
UPSHUR	45	\$ 21,850	3825	24	3849	\$ 482	2137	\$ 95	\$ 22,427
WAYNE	152	\$ 73,803	7556	0	7556	\$ 946	3793	\$ 169	\$ 74,918
WEBSTER	37	\$ 17,965	1577	0	1577	\$ 197	1134	\$ 51	\$ 18,213
WETZEL	66	\$ 32,046	2864	0	2864	\$ 359	1431	\$ 64	\$ 32,469
WIRT	37	\$ 17,965	967	6	973	\$ 122	562	\$ 25	\$ 18,112
WOOD	204	\$ 99,052	13486	921	14407	\$ 1,804	6724	\$ 300	\$ 101,156
WYOMING	95	\$ 46,127	4161	37	4198	\$ 526	2481	\$ 111	\$ 46,764
WV Sch D & B	92	\$ 44,670	160	0	160	\$ 20	120	\$ 5	\$ 44,695
TOTALS	5,119	2,485,521	281,988	13,442	295,430	36,994	146,434	6,528	2,529,043

TABLE 4
COUNTY BOARDS OF EDUCATION
SPECIAL EDUCATION - STATE ALLOCATION
0314-159 SCHOOL AGE AND PRE SCHOOL
FOR THE 2010-2011 YEAR

NAME	SCHOOL AGE BASE	EXCEPT STUDENTS	PER STUDENT BASE	PER STUDENT	SCHOOL AGE SUB-TOTAL	PRE-SCHOOL BASE	PRE-SCHOOL STUDENTS	PER STUDENT BASE	PER STUDENT	PRE-SCHOOL SUBTOTAL	TOTAL ALLOCATION
BARBOUR	30,402	439	67.1168	29,464	59,866	10,000.00	47	82.0513	3,856	13,856	73,722
BERKELEY	30,402	3,011	67.1168	202,089	232,491	10,000.00	362	82.0513	29,701	39,701	272,192
BOONE	30,402	907	67.1168	60,875	91,277	10,000.00	92	82.0513	7,549	17,549	108,826
BRAXTON	30,402	432	67.1168	28,994	59,396	10,000.00	73	82.0513	5,990	15,990	75,386
BROOKE	30,402	771	67.1168	51,747	82,149	10,000.00	82	82.0513	6,728	16,728	98,877
CABELL	30,402	1,981	67.1168	132,958	163,360	10,000.00	228	82.0513	18,708	28,708	192,068
CALHOUN	30,402	163	67.1168	10,940	41,342	10,000.00	18	82.0513	1,477	11,477	52,819
CLAY	30,402	352	67.1168	23,625	54,027	10,000.00	51	82.0513	4,185	14,185	68,212
DODDRIDGE	30,402	254	67.1168	17,048	47,450	10,000.00	12	82.0513	985	10,985	58,435
FAYETTE	30,402	953	67.1168	63,962	94,364	10,000.00	153	82.0513	12,554	22,554	116,918
GILMER	30,402	154	67.1168	10,336	40,738	10,000.00	21	82.0513	1,723	11,723	52,461
GRANT	30,402	407	67.1168	27,317	57,719	10,000.00	54	82.0513	4,431	14,431	72,150
GREENBRIER	30,402	998	67.1168	66,983	97,385	10,000.00	105	82.0513	8,615	18,615	116,000
HAMPSHIRE	30,402	646	67.1168	43,357	73,759	10,000.00	55	82.0513	4,513	14,513	88,272
HANCOCK	30,402	869	67.1168	58,325	88,727	10,000.00	129	82.0513	10,585	20,585	109,312
HARDY	30,402	332	67.1168	22,283	52,685	10,000.00	42	82.0513	3,446	13,446	66,131
HARRISON	30,402	2,254	67.1168	151,281	181,683	10,000.00	236	82.0513	19,364	29,364	211,047
JACKSON	30,402	883	67.1168	59,264	89,666	10,000.00	144	82.0513	11,815	21,815	111,481
JEFFERSON	30,402	1,271	67.1168	85,305	115,707	10,000.00	141	82.0513	11,569	21,569	137,276
KANAWHA	30,402	4,982	67.1168	334,376	364,778	10,000.00	466	82.0513	38,236	48,236	413,014
LEWIS	30,402	551	67.1168	36,981	67,383	10,000.00	52	82.0513	4,267	14,267	81,650
LINCOLN	30,402	746	67.1168	50,069	80,471	10,000.00	79	82.0513	6,482	16,482	96,953
LOGAN	30,402	809	67.1168	54,298	84,700	10,000.00	121	82.0513	9,928	19,928	104,628
MARION	30,402	1,305	67.1168	87,587	117,989	10,000.00	153	82.0513	12,554	22,554	140,543
MARSHALL	30,402	1,007	67.1168	67,587	97,989	10,000.00	128	82.0513	10,503	20,503	118,492
MASON	30,402	819	67.1168	54,969	85,371	10,000.00	120	82.0513	9,846	19,846	105,217
MCDOWELL	30,402	663	67.1168	44,498	74,900	10,000.00	52	82.0513	4,267	14,267	89,167
MERCER	30,402	1,402	67.1168	94,098	124,500	10,000.00	190	82.0513	15,590	25,590	150,090
MINERAL	30,402	846	67.1168	56,781	87,183	10,000.00	99	82.0513	8,123	18,123	105,306
MINGO	30,402	695	67.1168	46,646	77,048	10,000.00	123	82.0513	10,092	20,092	97,140
MONONGALIA	30,402	2,017	67.1168	135,375	165,777	10,000.00	128	82.0513	10,503	20,503	186,280
MONROE	30,402	331	67.1168	22,216	52,618	10,000.00	45	82.0513	3,692	13,692	66,310
MORGAN	30,402	360	67.1168	24,162	54,564	10,000.00	46	82.0513	3,774	13,774	68,338
NICHOLAS	30,402	820	67.1168	55,036	85,438	10,000.00	67	82.0513	5,497	15,497	100,935
OHIO	30,402	1,036	67.1168	69,533	99,935	10,000.00	199	82.0513	16,328	26,328	126,263
PENDLETON	30,402	238	67.1168	15,974	46,376	10,000.00	24	82.0513	1,969	11,969	58,345
PLEASANTS	30,402	236	67.1168	15,840	46,242	10,000.00	32	82.0513	2,626	12,626	58,868
POCAHONTAS	30,402	215	67.1168	14,430	44,832	10,000.00	27	82.0513	2,215	12,215	57,047
PRESTON	30,402	967	67.1168	64,902	95,304	10,000.00	97	82.0513	7,959	17,959	113,263
PUTNAM	30,402	1,748	67.1168	117,320	147,722	10,000.00	148	82.0513	12,144	22,144	169,866
RALEIGH	30,402	1,943	67.1168	130,408	160,810	10,000.00	259	82.0513	21,251	31,251	192,061
RANDOLPH	30,402	818	67.1168	54,902	85,304	10,000.00	77	82.0513	6,318	16,318	101,622
RITCHIE	30,402	304	67.1168	20,404	50,806	10,000.00	31	82.0513	2,544	12,544	63,350
ROANE	30,402	441	67.1168	29,599	60,001	10,000.00	51	82.0513	4,185	14,185	74,186
SUMMERS	30,402	212	67.1168	14,229	44,631	10,000.00	34	82.0513	2,790	12,790	57,421
TAYLOR	30,402	396	67.1168	26,578	56,980	10,000.00	55	82.0513	4,513	14,513	71,493
TUCKER	30,402	180	67.1168	12,081	42,483	10,000.00	26	82.0513	2,133	12,133	54,616
TYLER	30,402	332	67.1168	22,283	52,685	10,000.00	19	82.0513	1,559	11,559	64,244
UPSHUR	30,402	719	67.1168	48,257	78,659	10,000.00	60	82.0513	4,923	14,923	93,582
WAYNE	30,402	1,441	67.1168	96,715	127,117	10,000.00	196	82.0513	16,082	26,082	153,199
WEBSTER	30,402	214	67.1168	14,363	44,765	10,000.00	22	82.0513	1,805	11,805	56,570
WETZEL	30,402	552	67.1168	37,048	67,450	10,000.00	83	82.0513	6,810	16,810	84,260
WIRT	30,402	131	67.1168	8,792	39,194	10,000.00	19	82.0513	1,559	11,559	50,753
WOOD	30,402	2,392	67.1168	160,543	190,945	10,000.00	228	82.0513	18,708	28,708	219,653
WYOMING	30,402	882	67.1168	59,197	89,599	10,000.00	133	82.0513	10,913	20,913	110,512
TOTAL	1,672,110	49,827	-	3,344,230	5,016,340	550,000	5,734	-	470,482	1,020,482	6,036,822

OFFICE OF SCHOOL TRANSPORTATION

The Office of School Transportation (OST) provides oversight and technical assistance to the 55 county boards of education regarding student transportation. The office also conducts two inspections annually of every school bus operated by the school districts to ensure they are being maintained correctly. In addition, the OST recertifies all school bus drivers based upon the driver's physical condition, first aid certification, background check, training and driving history.

School bus transportation is the safest way to transport a child to school. Fatal crashes involving occupants are extremely rare events, even though school buses serve daily in every community. Every school day across West Virginia, 3841 buses transport 223,000 students. Last year West Virginia did not have a single child killed as a school bus occupant while traveling over 42.2 million miles. The Office of School Transportation provides the following services to the county school systems:

- Provide certification, training, inspections, coordination, and technical assistance to assure the performance of safe, efficient transportation of all students riding a school bus to and from school.
- Ensure all school bus operators in West Virginia are properly licensed, certified, trained, and are physically fit to perform their duties safely and effectively.
- Ensure all public school buses in West Virginia are in the best possible mechanical condition by regularly scheduled inspections.
- Promote school bus safety programs.

The minimum requirement of forty hours of classroom and 12 hours of skills training for all school bus operator applicants, required annual refresher training of twelve hours, written examinations, annual physical examinations, criminal records checks, motor vehicle records checks, and pre-employment and random drug and alcohol screening combine to make West Virginia among the leaders in our nation in the amount of training and testing required for school bus operators.

Each summer, more than 400 people attend the school transportation conference. During the conference many timely and informative workshops and in-service sessions are held for county transportation administrators and maintenance mechanics.

The Office of School Transportation is responsible for regulating the minimum requirements for design and equipment of school buses. West Virginia leads the way in school bus safety and school bus design and construction. School transportation officials from around the United States recognize and respect the performance, efficiency, and safety record of school transportation in West Virginia.

OFFICE OF SCHOOL FACILITIES

The Office of School Facilities (OSFac) provides facilities oversight and technical assistance for West Virginia's county school systems in the following ways: 1) indoor air quality investigation and remediation, 2) building automation design and operational technical support, 3) Heating Ventilating technical support, 4) Federal and State regulatory implementation and evaluations, 5) energy management and utilization, 6) plant operations and maintenance, 7) Comprehensive Educational Facilities Plans (CEFPs) development and administration, 9) accountability and responsibility for the West Virginia State Board of Education Policies' 6200, 6201, 6202, 6203, and 6204, and 10) facilities reviews for School Building Authority financed schools. The professional staff supports and enhances a safe and comfortable environment for children to learn and play.

In March 1999, the West Virginia Legislature enacted legislation that provides for investigation and resolution of indoor air quality issues in public schools. The OSFac in conjunction with the West Virginia Department of Health and Human Resources, Radiation, Toxics and Indoor Air Division developed a policy for investigating complaints of compromised indoor air quality in school facilities.

The progress made in improving school facilities in recent years has drawn national recognition defining the West Virginia Department of Education's, Office of School Facilities, as a world-class leader in enhancing the indoor learning environment.

The OSFac has saved the county systems millions of dollars in operational costs since its inception. The cost savings include technical assistance in energy, maintenance, indoor air quality, engineering, construction and design, risk management, and training that we provide at no expense to the county school systems.

Our staff members include a Certified Indoor Environmentalist, a Certified Mold Environmentalist, a mechanical engineer, a Registered Educational Facilities Manager (REFP), and a Certified Energy Manager (CEM).

Additionally, staff members are members of the Association of Physical Plant Administrators, the American Society of Heating, Refrigeration and Air Conditioning Engineers (ASHRAE), the Construction Owners Association of America, and the Indoor Air Quality Association of America.

Division of Technical, Adult & Institutional Education

The Division of Technical, Adult and Institutional Education provides funding, technical assistance and oversight for the public school career, technical and adult education programs statewide. In 2009-2010, 94,801 secondary students were enrolled in one or more CTE classes; 5,874 full time and 131,231 part time adults were served in technical classes; and, 33,023 adults were enrolled in adult basic education, resulting in 5,946 GEDs being awarded.

Technical education is provided in seven multi-county centers, 23 county centers, 25 comprehensive high schools, high schools with five or less offerings, and 10 community and technical colleges. In 2009-2010, 4,479 high school graduates completed the core requirements to be designated a completer in one of the 87 career & technical concentration areas (25.53% of the graduating class). 4,325 or 96% of these graduates were placed in employment or continued their education immediately after graduation (1,554 or 46.5% in jobs and 1,717 or 47.1% continuing education).

Funding for technical & adult programs is provided through both state and federal appropriations. In 2009-2010, \$9,305,231 under the federal Carl D. Perkins Act was directed to local systems and schools under a formula allocation to support CTE. Also, the state allocated \$20,404,926 for CTE, which was allocated to the schools through formulas and discretionary grants.

In 2009-2010, Adult Basic Education was supported through \$3,837,905 federal funds under the Adult Education Act and \$3,895,435 of state funding. These funds were distributed statewide through a competitive grant process.

**WEST VIRGINIA
TECHNICAL AND ADULT EDUCATION SUMMARY
2009-2010**

ENROLLMENT:

Secondary, Occupational	43,105
Secondary, Family & Consumer Sciences	15,477
Secondary, Technology Education	19,118
Secondary, Applied Academics and Prevocational	17,101
Sub Total.....	94,801
Postsecondary, College	25,895
Postsecondary, Non-College	1,828
Sub Total.....	27,723
Adult Full-Time, Occupational	5,874
Adult Supplemental, Occupational	131,231
Adult Supplemental, Public Service	44,443
Sub Total.....	181,548
Adult Basic Education (ABE)	33,023
Sub Total.....	33,023
Grand Total	337,095

NUMBER OF PROGRAMS:

Secondary, Occupational	1,097
Secondary, All Other	3,598
Postsecondary, College	199
Postsecondary, Non-College	113
Adult Supplemental and Public Service Training	3,266
Total	8,173

NUMBER OF FACILITIES:

Multi-County Centers	7
County Vocational Centers, Five or More Programs	23
High Schools, Five or More Programs	25
Special Schools, Five or More Programs	3
Colleges, Five or More Programs	10
Colleges, Less than Five Programs	0
All Other	192
Total	260

ADULT BASIC EDUCATION ENROLLMENT AND FUNDING

Fiscal Year	Enrollment	Federal Amount	State Amount
1979	11,511	\$ 995,582	\$ 700,000
1980	14,628	\$ 1,089,943	\$ 700,000
1981	14,663	\$ 1,089,943	\$ 700,000
1982	14,529	\$ 1,089,973	\$ 768,994
1983	16,588	\$ 951,177	\$ 825,635
1984	15,618	\$ 1,050,749	\$ 950,784
1985	17,795	\$ 1,102,444	\$ 1,248,000
1986	17,746	\$ 1,150,132	\$ 1,248,000
1987	19,634	\$ 11,006,810	\$ 1,282,400
1988	20,738	\$ 1,209,933	\$ 1,282,400
1989	20,019	\$ 1,307,994	\$ 1,282,400
1990	21,186	\$ 15,432,917	\$ 1,226,500
1991	23,077	\$ 1,756,166	\$ 1,707,000
1992	26,133	\$ 2,206,982	\$ 1,789,000
1993	25,866	\$ 2,566,069	\$ 1,901,127
1994	24,028	\$ 2,493,878	\$ 1,899,450
1995	26,232	\$ 2,493,882	\$ 2,052,666
1996	24,712	\$ 2,472,850	\$ 2,085,524
1997	24,892	\$ 2,427,162	\$ 2,360,207
1998	25,556	\$ 3,292,467	\$ 2,425,358
1999	23,751	\$ 339,039	\$ 2,600,500
2000	29,817	\$ 3,597,698	\$ 2,743,941
2001	28,184	\$ 4,088,283	\$ 2,887,437
2002	32,109	\$ 4,507,025	\$ 3,076,481
2003	29,228	\$ 4,516,055	\$ 3,276,216
2004	30,982	\$ 4,412,561	\$ 2,987,191
2005	29,942	\$ 3,977,305	\$ 3,113,039
2006	28,940	\$ 3,879,445	\$ 3,229,263
2007	30,132	\$ 3,842,198	\$ 3,523,655
2008	30,552	\$ 3,842,198	\$ 3,693,116
2009	32,996	\$ 3,837,905	\$ 3,895,435
2010	33,023	\$ 3,656,484	\$ 3,906,702

**TECHNICAL AND ADULT EDUCATION
PLACEMENT OF GRADUATES AVAILABLE FOR EMPLOYMENT***

YEAR	LEVEL	PERCENTAGE
1983	SECONDARY	76.2
	ADULT	87.0
1984	SECONDARY	79.6
	ADULT	88.7
1985	SECONDARY	81.3
	ADULT	87.1
1986	SECONDARY	84.3
	ADULT	93.5
1987	SECONDARY	86.7
	ADULT	88.9
1988	SECONDARY	88.3
	ADULT	93.0
1989	SECONDARY	85.6
	ADULT	88.9
1990	(DATA NOT AVAILABLE)	(DATA NOT AVAILABLE)
1991	SECONDARY	88.0
	ADULT	95.8
1992	SECONDARY	89.4
	ADULT	97.9
1993	SECONDARY	87.6
	ADULT	92.3
1994	SECONDARY	77.9
	ADULT	93.4
1995	SECONDARY	87.5
	ADULT	92.0
1996	SECONDARY and ADULT	93.7
1997	SECONDARY and ADULT	86.4
1998	SECONDARY and ADULT	90.5
1999	SECONDARY and ADULT	87.9
2000	SECONDARY and ADULT	88.8
2001	SECONDARY and ADULT	91.2
2002	SECONDARY and ADULT	82.8
2003	SECONDARY and ADULT	73.0
2004	SECONDARY and ADULT	91.7
2005	SECONDARY and ADULT	92.8
2006	SECONDARY and ADULT	89.7
2007	SECONDARY and ADULT	90.8
2008	SECONDARY AND ADULT	94.7
2009	SECONDARY AND ADULT	92.7
2010	SECONDARY AND ADULT	94.8

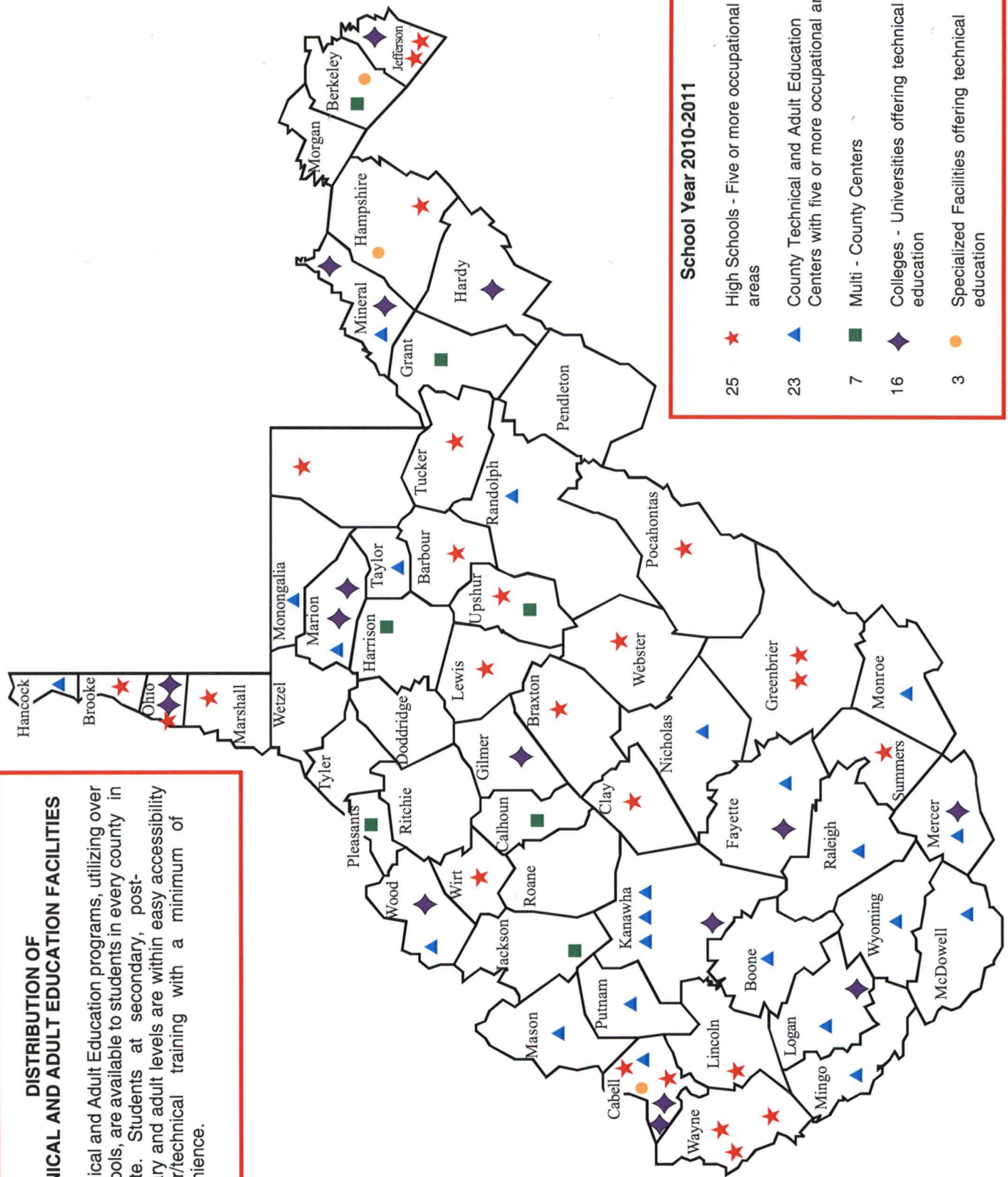
*Placement as indicated by this data shows the percentage of students who were actively seeking employment who found a job.

**TECHNICAL AND ADULT EDUCATION
STATE APPROPRIATIONS**

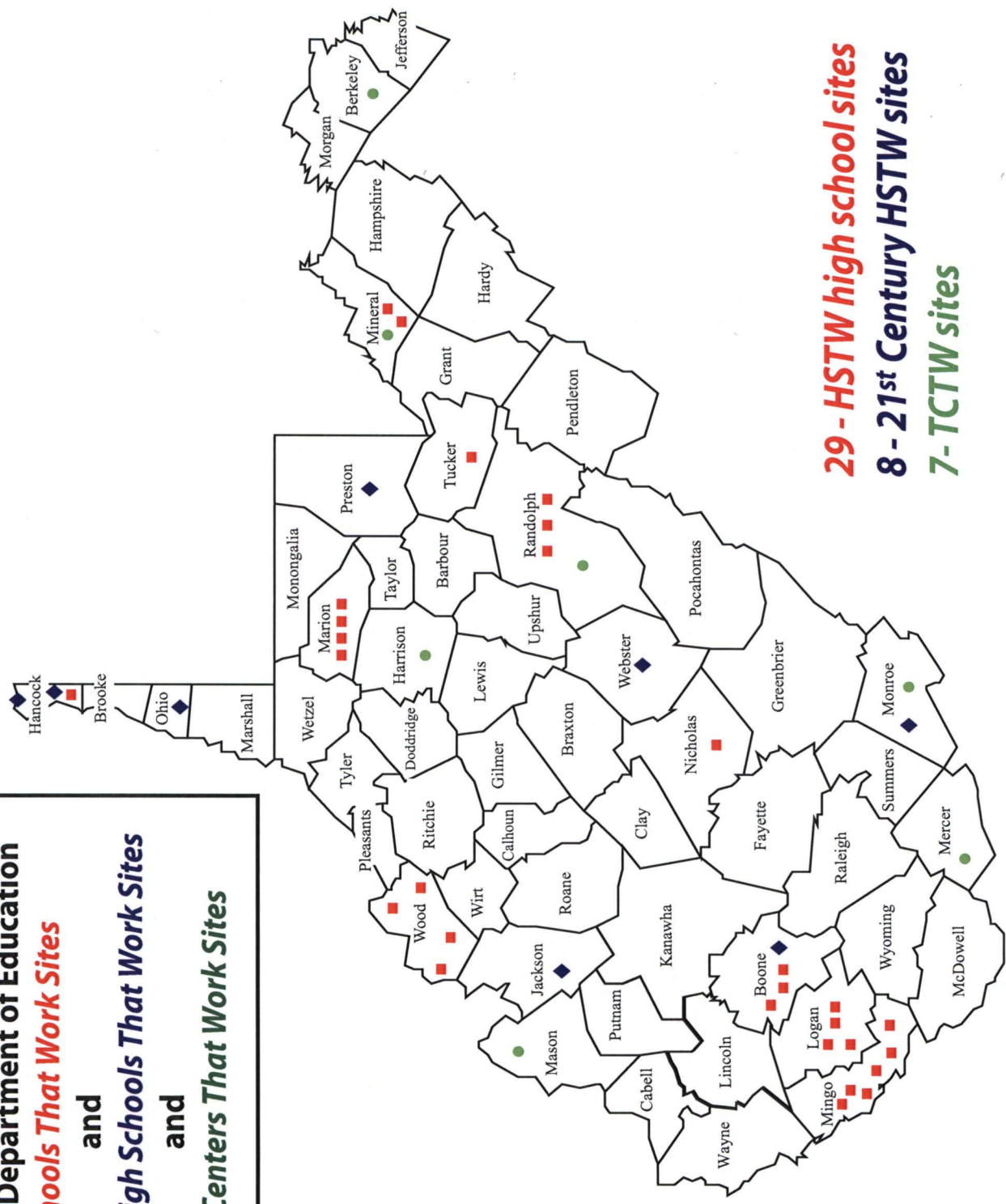
FISCAL YEAR	STATE APPROPRIATION
1980-1981	10,017,604
1981-1982	9,685,509
1982-1983	10,542,529
1983-1984	10,832,669
1984-1985	11,080,000
1985-1986	11,608,009
1986-1987	11,509,945
1987-1988	10,934,945
1988-1989	11,667,147
1989-1990	11,559,064
1990-1991	11,501,167
1991-1992	11,864,632
1992-1993	11,798,561
1993-1994	11,734,183
1994-1995	11,739,925
1995-1996	11,791,881
1996-1997	12,689,369
1997-1998	13,708,374
1998-1999	13,730,996
1999-2000	13,976,812
2000-2001	14,053,724
2001-2002	15,721,333
2002-2003	16,358,734
2003-2004	15,554,960
2004-2005	16,226,673
2005-2006	17,532,365
2006-2007	18,323,877
2007-2008	19,181,878
2008-2009	20,389,215
2009-2010	20,404,926
2010-2011	21,357,557

DISTRIBUTION OF TECHNICAL AND ADULT EDUCATION FACILITIES

Technical and Adult Education programs, utilizing over 300 schools, are available to students in every county in the state. Students at secondary, post-secondary and adult levels are within easy accessibility of career/technical training with a minimum of inconvenience.



West Virginia Department of Education
High Schools That Work Sites
and
21st Century High Schools That Work Sites
and
Technical Centers That Work Sites



29 - HSTW high school sites
8 - 21st Century HSTW sites
7 - TCTW sites

INSTITUTIONAL EDUCATION PROGRAMS

In 1988, the West Virginia Legislature enacted reform legislation, which transferred the responsibility for education within juvenile and adult state correctional institutions from the West Virginia Division of Corrections to the State Board of Education and State Superintendent of Schools. This landmark reform legislation charged the State Board and the State Superintendent with a duty to reform educational programs in state correctional institutions. At that time there were six facilities.

In 1995, the State Legislature amended this statute to include educational programs in regional jails. As a result, the Dept. of Education through the Office of Institutional Education Programs presently provides educational services in all ten of the states regional jails.

In 1991, the Department of Health and Human Resources (DHHR) declared that it would no longer support education services in residential foster care institutions. In order to provide this education and to ensure that youth at these institutions received their guaranteed constitutional right to an education, the State Superintendent of Schools and State Board of Education, with support from the State Legislature, moved to provide direct education services in these facilities.

In 1998, the State Legislature again turned to Dept. of Education and the Office of Institutional Education Programs (OIEP) to provide educational programming in the short-term juvenile detention facilities.

Today, The WV Department of Education, OIEP, provides educational services for juveniles and adults in 41 facilities located in 26 WV counties. Approximately 300 staff including teachers, administrators and support personnel work with OIEP. For the school year 2010-11, 94% of these teachers were highly qualified.

WV is one of four states to have all of its adult and juvenile correctional facilities accredited by the Correctional Education Association. These educational programs consist of academic, career and technical education, affective skills, transition and post secondary programs. Educational services were provided to over 9,600 institutionalized juveniles and adults during the 2010-11 school year. The State Dept. of Education and State Board of Education have assumed an important role in protecting the constitutional rights of institutionalized people by providing programs and services that help change their lives. Moreover, the results of studies and data collected indicate that education in institutions has reduced recidivism and is cost effective.

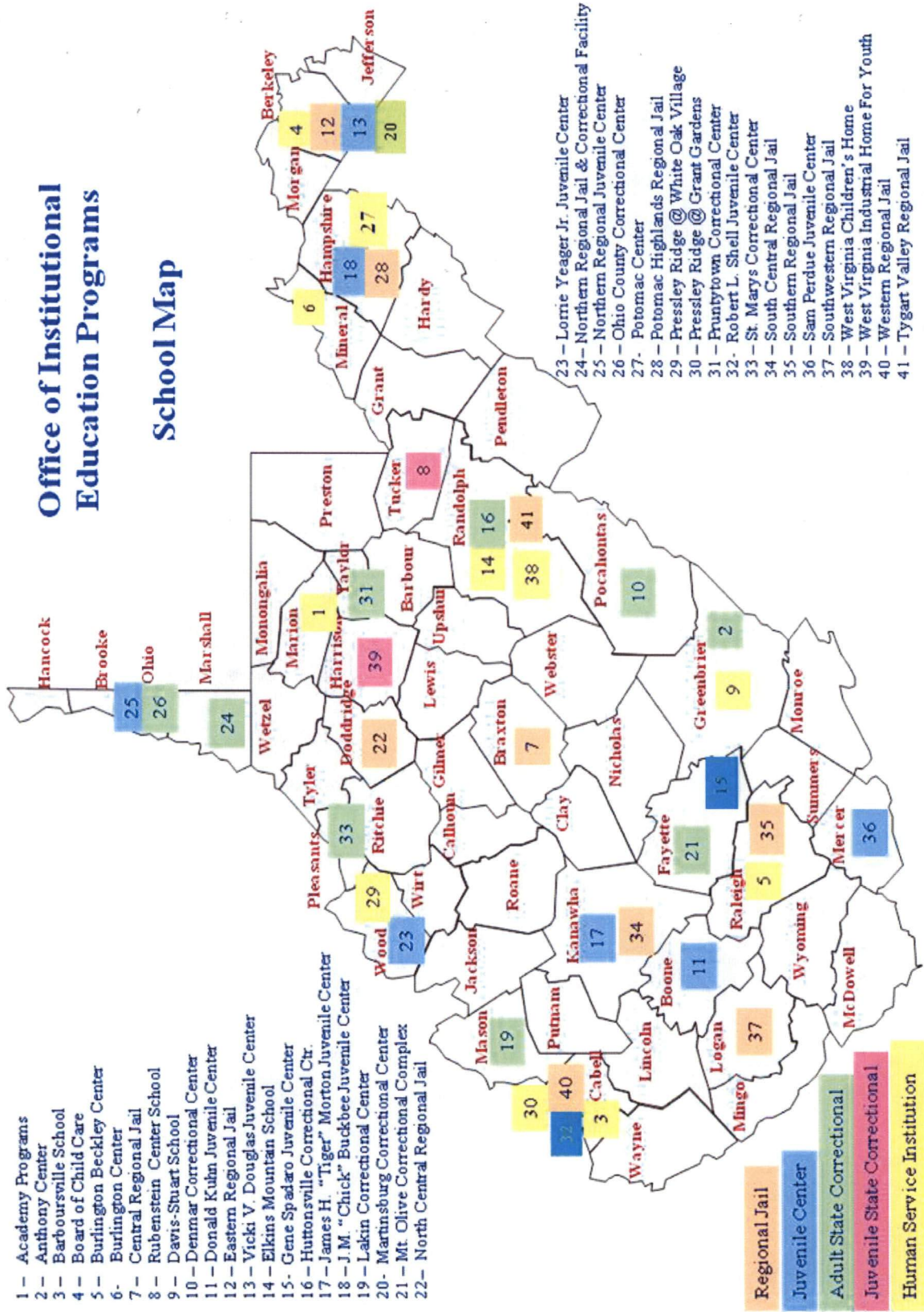
WVDE Office of Institutional Education Programs
2009-2010



	Number of unduplicated students	Earned HS course credits	Number of HS credits earned	Earned a GED	Obtained High School diploma	Enrolled in post-secondary education	Number of FFL Completers	Enrolled in CTE program	Completed CTE program	Associate Degree	Earned a College Degree	Students with IEP	Percentage of Highly Qualified Teachers
Juvenile Schools	3236	1160	3763	242	61	98	100	1665	838			868	90.40%
Adult Schools	4774	7	42	232	7	606	812	3267	2076	7	5		
Regional Jail Schools	2347			236			797						
OIEP TOTALS	10347	1167	3805	710	68	704	1709	4932	2914	7	5	868	

Office of Institutional Education Programs

School Map



- 1 - Academy Programs
- 2 - Anthony Center
- 3 - Barboursville School
- 4 - Board of Child Care
- 5 - Burlington Beckley Center
- 6 - Burlington Center
- 7 - Central Regional Jail
- 8 - Rubenstein Center School
- 9 - Davis-Stuart School
- 10 - Denmar Correctional Center
- 11 - Donald Kuhn Juvenile Center
- 12 - Eastern Regional Jail
- 13 - Vicki V. Douglas Juvenile Center
- 14 - Elkins Mountain School
- 15 - Gene Spadaro Juvenile Center
- 16 - Hutonsville Correctional Ctr.
- 17 - James H. "Tiger" Morton Juvenile Center
- 18 - J.M. "Chick" Buckbee Juvenile Center
- 19 - Lakin Correctional Center
- 20 - Martinsburg Correctional Center
- 21 - Mt. Olive Correctional Complex
- 22 - North Central Regional Jail

- 23 - Lorie Yeager Jr. Juvenile Center
- 24 - Northern Regional Jail & Correctional Facility
- 25 - Northern Regional Juvenile Center
- 26 - Ohio County Correctional Center
- 27 - Potomac Center
- 28 - Potomac Highlands Regional Jail
- 29 - Pressley Ridge @ White Oak Village
- 30 - Pressley Ridge @ Grant Gardens
- 31 - Pruntytown Correctional Center
- 32 - Robert L. Shell Juvenile Center
- 33 - St. Marys Correctional Center
- 34 - South Central Regional Jail
- 35 - Southern Regional Jail
- 36 - Sam Perdue Juvenile Center
- 37 - Southwestern Regional Jail
- 38 - West Virginia Children's Home
- 39 - West Virginia Industrial Home For Youth
- 40 - Western Regional Jail
- 41 - Tygart Valley Regional Jail

- Regional Jail
- Juvenile Center
- Adult State Correctional
- Juvenile State Correctional
- Human Service Institution

Cedar Lakes Conference Center

Ripley, West Virginia

(304) 372-7860

Cedar Lakes Conference Center was established by an act of the Legislature in 1949 as the home for the West Virginia Future Farmers of America and the West Virginia Future Homemakers of America. Officially opened in 1955, the camp continues to grow each year. The name more commonly used is Cedar Lakes Conference Center, which more accurately reflects its growing role in the state.

Cedar Lakes has approximately 275 acres of land and 52 buildings to provide lodging, meeting and food facilities for over 700 people. Cedar Lakes was constructed primarily with contributions that were supplemented by state and federal funds. It is estimated that the total assets of Cedar Lakes Conference Center are valued at over \$15,000,000.

Over 192,180 people utilized Cedar Lakes' facilities last year. In 2010, the guest population represented all 55 states, the District of Columbia and many foreign countries. Cedar Lakes offers an inspirational retreat setting for business, education and recreation. The facilities are adaptable to meet the needs of corporate, civic, church, camp, family, social and government groups.

Cedar Lakes has dedicated itself to serving the youth of West Virginia by providing an affordable conference center where youth can meet and be housed while developing their leadership skills. In addition to the FFA and FCCLA, Cedar Lakes provides facilities to other organizations such as the Distributive Education Clubs of America (DECA), Technology Student Association (TSA) many other school sponsored activities, including 24 high school bands during the summer.

The 7th Annual Winterfest Activities and Light Show drew over 28,256 people through the center during the end of November through the end of December 2010. The total value of displays, grants and cash donated exceeds \$698,000. Career and Technical students from Mingo County, Roane-Jackson Technical Center, Wyoming County and Mason County won awards in the 2010 Winterfest Light Competition.

Of major cultural importance, Cedar Lakes Craft Center offers a variety of weekend and week long craft classes along with nationally recognized Elderhostel workshops. Cedar Lakes is also home to the Mountain State Art & Craft Fair. The 2010 Fair drew over 16,000 visitors who purchased \$565,000 from 150+ crafters and artisans. The Fair adds over one million dollars annually to the economy of West Virginia.



Charles K. Heinlein
State Superintendent of Schools