



*2009 Source  
Book*

*West Virginia  
Department of Education*

**WEST VIRGINIA BOARD OF EDUCATION  
2009-2010**

**Priscilla M. Haden**, President  
**Jenny N. Phillips**, Vice President  
**Robert W. Dunlevy**, Secretary

**Delores W. Cook**, Member  
**Michael I. Green**, Member  
**Burma Hatfield**, Member  
**Lowell E. Johnson**, Member  
**L. Wade Linger Jr.**, Member  
**Gayle C. Manchin**, Member

**Brian E. Noland**, Ex Officio  
Chancellor  
West Virginia Higher Education Policy Commission

**James L. Skidmore**, Ex Officio  
Chancellor  
West Virginia Council for Community and Technical College Education

**Steven L. Paine**, Ex Officio  
State Superintendent of Schools  
West Virginia Department of Education

---

Public Education  
In West Virginia

# Source Book 2009

December 2009  
No. 29

Steven L. Paine  
State Superintendent of Schools  
West Virginia Department of Education

---

# Foreword

The 2009 edition of the West Virginia Department of Education Source Book contains current information about education in West Virginia. A comprehensive index is provided at the beginning of the document, followed by five color-coded sections:

- Education facts at-a-glance (white), beginning with page iii
- Finance (blue), beginning with page 1
- Student enrollment (pink), beginning with page 55
- Personnel (green), beginning with page 69
- Programs (gold), beginning with page 117

These statistical data are the most recent available and provide important information about public education. For further information about the data, please feel free to contact the Office of Communications at 304-558-2699 or any of the following:

- Jack McClanahan (Deputy Superintendent), 304-558-3762,
- Pamela S. Cain (Division of Student Support Services),  
304-558-2691,
- Stanley Hopkins (Division of Technical and Adult Education Services),  
304-558-2346,
- Jorea Marple (Division of Curriculum and Instructional Services),  
304-558-8098, and
- Karen Huffman, (Division of Educator Quality and System Support)  
304-558-3199.



Steven L. Paine  
State Superintendent of Schools



# QUICK FACTS ON EDUCATION IN WEST VIRGINIA

## Public School Enrollment (Second month, 2008-2009)

Prekindergarten .....	13,135
Kindergarten .....	20,905
Elementary (Grades 1-8) .....	165,211
Secondary (Grades 9-12) .....	82,657
<b>TOTAL .....</b>	<b>281,908</b>

## Technical and Adult Education Enrollments 2007-2008

Secondary .....	91,352
<b>Adult Technical:</b>	
Full Time .....	2,454
Part Time .....	126,556
Adult Basic Education .....	30,552
<b>TOTAL .....</b>	<b>250,194</b>

## Public High School Graduates (2007-2008) .....

## General Education Development (GED) Certificates Earned (2007-2008) .....

## Number of Public Schools (September 2009)

Elementary .....	576
Secondary .....	164
<b>TOTAL .....</b>	<b>740</b>

## Revenues by Source (2007-2008)

Local	\$942,539,325	33.2%
State	\$1,573,306,330	55.3%
Federal	\$327,375,536	11.5%
<b>TOTAL</b>	<b>\$2,843,221,196</b>	<b>100.0%</b>

## Total Expenditures (2007-2008)

Current operations .....	\$2,619,536,405
Capital outlay .....	\$221,151,784
Debt service .....	\$31,280,220
<b>TOTAL .....</b>	<b>\$2,871,968,409</b>

## Per Pupil Expenditure (2007-2008)

Based on student enrollment ..... \$9,054.11

## Public Staff Ratios (2008-2009)

Pupil teacher ratio ..... 14.0  
Pupil administrator ratio ..... 149.8

## Public School Staff (2008-2009)

(Excluding RESAs)

No. of professional personnel (FTE)  
..... 24,423.88  
No. of classroom teachers (FTE) (Included  
above)  
..... 19,797.83  
No. of professional student support  
personnel (FTE) (Included above)  
..... 943.29  
No. of school service personnel (FTE)  
..... 13,804.98

## Standardized Test Scores (2007-2008)

West Virginia American College Testing  
Program (ACT) composite score ..... 20.7

## West Virginia Teacher Salaries (2007-2008)

A.B. degree .....	\$30,187 - \$50,996
A.B +15 .....	\$31,040 - \$51,849
M.A. ....	\$32,999 - \$53,808
M.A. +15 .....	\$33,856 - \$54,665
M.A. +30 .....	\$34,713 - \$55,522
M.A. +45 .....	\$35,474 - \$56,283
Doctorate .....	\$36,600 - \$57,409

## Average Contracted Salaries (2008-2009)

Professional Personnel .....	\$47,002
Classroom Teachers .....	\$44,701
Service Personnel .....	\$25,734

*Note: (Source, The West Virginia Department of Education)*

# TABLE OF CONTENTS

# FINANCE

## PROPERTY TAXES

Taxable Assessed Valuations .....	2
Levy Rates - Class I Property .....	3
Projected Gross Tax Collections .....	4
Excess Levies in Effect .....	5
Bond Elections Attempted (alphabetical) .....	6-10
Bond Elections Attempted (chronological) .....	11-15
Bonding Potential .....	16

## PUBLIC SCHOOL SUPPORT PROGRAM

Final Computations .....	17-23
Student Enrollment .....	24
Number of Professional Educators Data .....	25
Number of Service Personnel Data .....	26
Personnel Ratios Per 1,000 Students .....	27
Number of Professional/Instructional Personnel .....	28-29

## PRELIMINARY BUDGETS, COUNTY BOARDS OF EDUCATION

Summary of Proposed Budgets .....	30
-----------------------------------	----

## REVENUES AND EXPENDITURES A2006-2007

Total Revenues by Source 2007-2008 (graph) .....	31
Total Revenues by Source 2007-2008 .....	32
Total Expenditures, 2007-2008 .....	33
Per Pupil Expenditures (arranged) .....	34
Current Expenditures, 2007-2008 (graph) .....	35
Current Expenditures, 2007-2008 .....	36-38
Per Pupil Expenditures, by County .....	39
Expenditures for Salaries and Employee Benefits .....	40-42
Salaries: Professional Personnel and Substitutes .....	43
Salaries: Service Personnel and Substitutes .....	44
Expenditures for Instructional Supplies .....	45
Total Expenditures .....	46

## SPECIAL FUNDING FOR THE EDUCATION OF EXCEPTIONAL CHILDREN

Summary .....	47
Aid for Exceptional Students .....	48
Projected State Allocations .....	49
State Funding .....	50-51
Federal Funding .....	52-53
School Age Allocations .....	54
Preschool Allocations .....	55

# STUDENT ENROLLMENTS

ENROLLMENT, SECOND MONTH, 2008-09	
Public School Headcount Enrollment by Grade .....	57-58
Comparison of Enrollment Factors .....	59-65
ADULT BASIC EDUCATION PROGRAMS	
General Educational Development Test (GED)/Equivalent	
High School Diplomas Issued .....	66



# PERSONNEL

## PROFESSIONAL EDUCATORS

Classification of Professional Personnel by Assignment and Funding Source .....	68
Distribution of Professional Educators (Eligible for State Aid Funding) .....	69
Average Contracted Salaries - Professional Personnel .....	70
Average Contracted Salaries - Classroom Teachers .....	71
Teachers' State Minimum Salary Schedule - Basic Salary First Quarter .....	72
Teachers' State Equity Supplement Schedules First Quarter .....	73
Teachers' State Minimum Salary Schedule with Equity First Quarter .....	74
Principals and Assistant Principals State Minimum Salary Increment Schedule First Quarter .....	75
Teachers' State Minimum Salary Schedule - Basic Salary Second Quarter .....	76

## DEMOGRAPHICS OF EDUCATORS

A Profile of West Virginia Public School Educators .....	77
A Profile of West Virginia Public School Administrators .....	78
Distribution by Age of Educators .....	79
Distribution by Age of Administrators .....	80
Experience in Years by Percentage of Educators .....	81
Experience in Years by Percentage of Administrators .....	82
Salary Classification of Educators .....	83
Salary Classification of Administrators .....	84
Experience and Salary Classification of Employed Educators .....	85
Experience and Salary Classification of Employed Administrators .....	85
Average Salaries for Public School Educators .....	86
Average Salaries for Classroom Teachers .....	87
Average Salaries for Beginning Classroom Teachers .....	88
West Virginia Educators Holding Permanent Licenses .....	89
Professional Posted Positions by Specialization .....	90
Professional Positions Not Filled and Reasons .....	91
Professional Posted Positions by Specialization .....	92
Reasons for Not Returning Educators .....	93
Trend Data Related to Personnel on Less than a Professional License .....	94
Non-Returning Educators Terminated Due to a Reduction in Force .....	95

## SERVICE PERSONNEL

Classification of Service Personnel by Assignment and Funding Source .....	96
Distribution of Service Personnel (Eligible for State Aid Funding) .....	97
Average Contracted Salaries - Service Personnel .....	98
Service Personnel State Minimum Monthly Pay Scale .....	99
Service Personnel State Equity Monthly Supplement Pay Scale .....	100
Service Personnel State Minimum Monthly Pay Scale with Equity .....	101
Service Personnel State Minimum Monthly Pay Scale .....	102
Service Personnel Job Titles by Pay Grade .....	103

# PROGRAMS

CHILD NUTRITION PROGRAMS	
Average Number of Meals Served Daily .....	105
TITLE I FUNDS	
Summary.....	106
Description of Approved Expenditures.....	107-109
TITLE II PART A	
Summary.....	110-111
TITLE II PART B	
Summary.....	112
TITLE III	
Summary.....	113
TITLE IV PART A	
Summary.....	114
County Allocations.....	114-115
TITLE IV PART B	
Summary.....	116
County Allocations.....	117
TITLE VI PART B	
Summary.....	118
EXCEPTIONAL CHILDREN	
Second Month Report, Student Count.....	119
Second Month Report, Exceptional Student Count.....	120
Medicaid.....	121
Preschool Children with Disabilities.....	122
Services to Students with Deafblindness .....	122
SCHOOL TRANSPORTATION	
Program Summary .....	123
SCHOOL FACILITIES	
Board Approved Comprehensive Facilities Plans .....	124
TECHNICAL AND ADULT EDUCATION SERVICES	
Summary of Enrollment, Programs and Facilities.....	125
Adult Basic Education, Funding and Enrollments .....	126
Placement of Graduates 1983-2008 .....	127
State Appropriations, 1980-2009 .....	128
Distribution of Technical and Adult Education Facilities (map) .....	129
High Schools That Work and Making Middle Grades Work Sites (map) .....	130
Cedar Lakes Conference Center.....	131

# FINANCE

**COUNTY BOARDS OF EDUCATION  
TAXABLE ASSESSED VALUATIONS  
FOR THE 2008-09 FISCAL YEAR**

County	Class I Assessed Valuations	Class II Assessed Valuations	Class III Assessed Valuations	Class IV Assessed Valuations	Total Assessed Valuations
Barbour	-	133,111,058	170,070,248	48,979,675	352,160,981
Berkeley	-	3,368,293,930	1,460,494,002	468,978,812	5,297,766,744
Boone	-	180,680,464	1,229,834,603	59,387,284	1,469,902,351
Braxton	-	152,472,594	279,056,810	40,800,372	472,329,776
Brooke	-	259,307,073	94,154,622	410,204,278	763,665,973
Cabell	-	1,188,644,672	715,522,224	1,014,488,838	2,918,655,734
Calhoun	-	66,481,874	138,296,078	9,226,418	214,004,370
Clay	-	61,529,197	230,787,814	12,567,422	304,884,433
Doddridge	-	104,346,164	270,876,108	8,988,450	384,210,722
Fayette	-	376,050,350	519,720,984	202,593,512	1,098,364,846
Gilmer	-	71,760,934	221,802,448	23,172,725	316,736,107
Grant	-	217,872,014	462,322,296	44,603,745	724,798,055
Greenbrier	-	623,901,527	642,690,904	199,391,648	1,465,984,079
Hampshire	-	821,943,842	502,840,471	53,047,024	1,377,831,337
Hancock	-	351,468,280	308,567,227	262,227,929	922,263,436
Hardy	-	399,550,550	255,128,916	108,821,918	763,501,384
Harrison	-	999,656,016	1,076,095,501	744,707,769	2,820,459,286
Jackson	-	394,434,965	609,328,746	125,217,383	1,128,981,094
Jefferson	-	2,568,421,740	1,002,329,292	435,255,769	4,006,006,801
Kanawha	-	3,003,654,846	2,303,972,986	2,728,979,753	8,036,607,585
Lewis	-	207,630,760	589,949,619	56,654,110	854,234,489
Lincoln	-	123,948,172	310,607,343	14,399,446	448,954,961
Logan	-	196,998,636	980,014,195	106,498,036	1,283,510,867
Marion	-	806,302,134	594,313,919	493,718,864	1,894,334,917
Marshall	-	345,188,333	913,883,701	205,516,862	1,464,588,896
Mason	-	322,128,846	663,049,003	86,938,315	1,072,116,164
McDowell	-	45,089,276	691,011,437	84,281,229	820,381,942
Mercer	-	592,857,264	555,918,915	311,664,692	1,460,440,871
Mineral	-	467,531,739	302,510,183	86,446,624	856,488,546
Mingo	-	134,891,363	788,009,033	93,207,801	1,016,108,197
Monongalia	-	1,406,135,012	1,497,334,488	748,451,321	3,651,920,821
Monroe	-	139,904,913	107,655,913	12,814,381	260,375,207
Morgan	-	657,840,859	280,234,904	41,476,762	979,552,525
Nicholas	-	274,750,050	422,864,829	109,951,008	807,565,887
Ohio	-	718,452,478	243,036,792	595,293,292	1,556,782,562
Pendleton	-	229,586,768	116,646,504	15,535,383	361,768,655
Pleasants	-	99,152,694	428,835,001	35,048,029	563,035,724
Pocahontas	-	214,685,880	436,898,665	29,584,412	681,168,957
Preston	-	484,089,400	504,994,342	104,923,327	1,094,007,069
Putnam	-	1,219,724,517	1,144,441,489	153,748,022	2,517,914,028
Raleigh	-	846,954,860	1,181,381,199	422,959,271	2,451,295,330
Randolph	-	356,305,426	423,131,095	134,752,732	914,189,253
Ritchie	-	153,757,396	218,828,117	43,121,713	415,707,226
Roane	-	155,298,244	173,850,062	39,142,393	368,290,699
Summers	-	140,432,806	156,172,637	40,301,080	336,906,523
Taylor	-	241,671,278	190,267,020	60,474,045	492,412,343
Tucker	-	135,572,159	282,247,295	46,190,817	464,010,271
Tyler	-	116,469,894	196,262,453	30,762,501	343,494,848
Upshur	-	328,777,535	379,882,176	96,113,849	804,773,560
Wayne	-	355,095,114	554,422,986	131,802,137	1,041,320,237
Webster	-	45,640,361	215,787,145	19,977,043	281,404,549
Wetzel	-	179,585,402	267,787,109	139,394,171	586,766,682
Wirt	-	63,470,596	46,251,829	9,111,390	118,833,815
Wood	-	1,490,992,174	789,587,506	777,493,967	3,058,073,647
Wyoming	-	71,683,502	743,364,784	47,017,165	862,065,451
<b>Total</b>	<b>-</b>	<b>28,712,177,931</b>	<b>29,885,325,968</b>	<b>12,426,406,914</b>	<b>71,023,910,813</b>

Source: Levy Order and Rate Sheet submitted by each county board for the 2008-09 fiscal year.

OSF2  
05/30/08

Taxable Assessed Valuations 09

**COUNTY BOARDS OF EDUCATION  
LEVY RATES - CLASS I PROPERTY  
FOR THE 2008-09 FISCAL YEAR**

County	Current Expense Purposes	Permanent Improvement Purposes	Excess Levy Purposes	Percent of Maximum (22.95)	Bond Purposes	Total Levy Rates
Barbour	19.40	-	-	-	7.25	26.65
Berkeley	19.40	-	22.50	98.0%	3.03	44.93
Boone	19.40	-	22.95	100.0%	-	42.35
Braxton	19.40	-	-	-	3.73	23.13
Brooke	19.40	-	22.95	100.0%	5.60	47.95
Cabell	17.90	1.50	22.95	100.0%	6.61	48.96
Calhoun	19.40	-	0.53	2.3%	4.74	24.67
Clay	19.40	-	6.50	28.3%	-	25.90
Doddridge	19.40	-	22.95	100.0%	6.34	48.69
Fayette	19.40	-	22.95	100.0%	-	42.35
Gilmer	19.40	-	8.85	38.6%	-	28.25
Grant	19.40	-	-	-	-	19.40
Greenbrier	19.40	-	11.475	50.0%	3.37	34.25
Hampshire	19.40	-	-	-	0.37	19.77
Hancock	19.40	-	20.65	90.0%	-	40.05
Hardy	19.40	-	-	-	-	19.40
Harrison	19.40	-	20.33	88.6%	-	39.73
Jackson	19.40	-	22.95	100.0%	-	42.35
Jefferson	19.40	-	22.95	100.0%	3.25	45.60
Kanawha	19.40	-	18.23	79.4%	1.66	39.29
Lewis	19.40	-	12.62	55.0%	-	32.02
Lincoln	19.40	-	22.95	100.0%	-	42.35
Logan	19.40	-	22.95	100.0%	-	42.35
Marion	19.40	-	21.00	91.5%	-	40.40
Marshall	19.40	-	22.49	98.0%	5.71	47.60
Mason	19.40	-	20.48	89.2%	3.88	43.76
McDowell	19.40	-	22.95	100.0%	-	42.35
Mercer	19.40	-	22.95	100.0%	-	42.35
Mineral	19.40	-	22.95	100.0%	-	42.35
Mingo	17.90	1.50	22.95	100.0%	-	42.35
Monongalia	19.40	-	17.21	75.0%	3.18	39.79
Monroe	17.90	1.50	17.21	75.0%	2.61	39.22
Morgan	19.40	-	19.16	83.5%	-	38.56
Nicholas	19.40	-	13.31	58.0%	-	32.71
Ohio	19.40	-	21.92	95.5%	2.53	43.85
Pendleton	19.40	-	-	-	-	19.40
Pleasants	19.40	-	19.06	83.1%	-	38.46
Pocahontas	19.40	-	-	-	-	19.40
Preston	19.40	-	4.73	20.6%	-	24.13
Putnam	19.40	-	22.95	100.0%	-	42.35
Raleigh	19.40	-	22.95	100.0%	2.98	45.33
Randolph	19.40	-	-	-	-	19.40
Ritchie	19.40	-	14.92	65.0%	-	34.32
Roane	19.40	-	-	-	2.68	22.08
Summers	19.40	-	-	-	-	19.40
Taylor	19.40	-	11.475	50.0%	6.80	37.68
Tucker	19.40	-	1.74	7.6%	-	21.14
Tyler	19.40	-	22.95	100.0%	-	42.35
Upshur	19.40	-	9.83	42.8%	-	29.23
Wayne	19.40	-	22.95	100.0%	-	42.35
Webster	19.40	-	-	-	-	19.40
Wetzel	19.40	-	22.95	100.0%	-	42.35
Wirt	19.40	-	20.66	90.0%	-	40.06
Wood	19.40	-	18.36	80.0%	3.74	41.50
Wyoming	17.90	1.50	22.95	100.0%	2.35	44.70
<b>State</b>	<b>55</b>	<b>4</b>	<b>44</b>	<b>44</b>	<b>21</b>	<b>55</b>

OSF2  
05/30/08  
Taxable Assessed Valuations 09

**COUNTY BOARDS OF EDUCATION  
SUMMARY OF PROJECTED GROSS TAX COLLECTIONS  
FOR THE 2008-09 FISCAL YEAR**

County	Current Expense Purposes	Permanent Improvement Purposes	Excess Levy Purposes	Bond Purposes	Total
Barbour	2,216,298	-	-	828,256	3,044,554
Berkeley	28,041,689	-	32,522,578	4,379,707	64,943,974
Boone	10,705,402	-	12,684,380	-	23,369,782
Braxton	3,073,686	-	-	590,972	3,664,658
Brooke	4,919,936	-	5,820,233	1,420,188	12,160,357
Cabell	16,642,227	1,394,599	21,337,381	6,145,537	45,519,744
Calhoun	1,402,725	-	38,322	342,727	1,783,774
Clay	2,127,169	-	712,711	-	2,839,880
Doddridge	2,576,612	-	3,048,106	842,048	6,466,766
Fayette	7,064,236	-	8,356,918	-	15,421,154
Gilmer	2,179,439	-	994,229	-	3,173,668
Grant	4,779,089	-	-	-	4,779,089
Greenbrier	8,955,298	-	5,297,013	1,555,637	15,807,948
Hampshire	7,502,829	-	-	143,095	7,645,924
Hancock	5,793,068	-	6,166,332	-	11,959,400
Hardy	4,374,514	-	-	-	4,374,514
Harrison	18,008,098	-	18,871,374	-	36,879,472
Jackson	7,230,486	-	8,553,590	-	15,784,076
Jefferson	21,121,136	-	24,986,087	3,538,334	49,645,557
Kanawha	50,709,894	-	47,651,617	4,339,094	102,700,605
Lewis	5,823,252	-	3,788,116	-	9,611,368
Lincoln	3,002,972	-	3,552,484	-	6,555,456
Logan	9,195,690	-	10,878,406	-	20,074,096
Marion	11,571,586	-	12,525,944	-	24,097,530
Marshall	10,025,880	-	11,622,785	2,950,916	24,599,581
Mason	7,069,761	-	7,463,336	1,413,952	15,947,049
McDowell	6,191,217	-	7,324,147	-	13,515,364
Mercer	9,032,735	-	10,685,633	-	19,718,368
Mineral	4,832,328	-	5,716,594	-	10,548,922
Mingo	6,792,424	569,197	8,708,722	-	16,070,343
Monongalia	22,883,102	-	20,299,907	3,750,941	46,933,950
Monroe	1,363,427	114,254	1,310,870	198,801	2,987,352
Morgan	5,048,906	-	4,986,444	-	10,035,350
Nicholas	5,200,681	-	3,568,096	-	8,768,777
Ohio	9,293,038	-	10,500,175	1,211,927	21,005,140
Pendleton	1,916,529	-	-	-	1,916,529
Pleasants	3,984,445	-	3,914,614	-	7,899,059
Pocahontas	4,452,890	-	-	-	4,452,890
Preston	6,611,228	-	1,611,913	-	8,223,141
Putnam	14,806,482	-	17,515,916	-	32,322,398
Raleigh	15,735,867	-	18,615,368	2,417,158	36,768,393
Randolph	5,711,643	-	-	-	5,711,643
Ritchie	2,629,309	-	2,022,128	-	4,651,437
Roane	2,255,378	-	-	311,568	2,566,946
Summers	2,069,515	-	-	-	2,069,515
Taylor	2,883,436	-	1,705,538	1,010,688	5,599,662
Tucker	3,074,700	-	275,772	-	3,350,472
Tyler	2,213,617	-	2,618,686	-	4,832,303
Upshur	4,969,386	-	2,517,994	-	7,487,380
Wayne	6,702,876	-	7,929,434	-	14,632,310
Webster	2,006,615	-	-	-	2,006,615
Wetzel	3,856,518	-	4,562,221	-	8,418,739
Wirt	675,884	-	719,783	-	1,395,667
Wood	17,945,602	-	16,983,570	3,459,616	38,388,788
Wyoming	5,915,762	495,734	7,584,734	776,650	14,772,880
<b>Total</b>	<b>437,168,512</b>	<b>2,573,784</b>	<b>408,530,201</b>	<b>41,627,812</b>	<b>889,900,309</b>

OSF2

05/30/08

Taxable Assessed Valuations 09

**COUNTY BOARDS OF EDUCATION  
EXCESS LEVIES IN EFFECT  
2008-09 YEAR**

County	Date of Election	Percent of Votes for Levy	Class I Levy Rate Per \$100	Percent of Maximum (22.95)	Max Rate Allowed By Levy Call	Number of Years	Expiration Date
Barbour	-	-	-	-	-	-	-
Berkeley	05-09-06	71.3%	22.50	98.0%	22.50	4	6-30-11
Boone	11-02-04	78.1%	22.95	100.0%	22.95	5	6-30-10
Braxton	-	-	-	-	-	-	-
Brooke	11-08-03	78.4%	22.95	100.0%	22.95	5	6-30-09
Cabell	05-11-04	67.5%	22.95	100.0%	22.95	5	6-30-10
Calhoun	11-07-06	65.4%	0.53	2.3%	0.53	5	6-30-12
Clay	01-19-02	68.2%	6.50	28.3%	6.50	5	6-30-12
Doddridge	03-05-05	79.6%	22.95	100.0%	22.95	4	6-30-09
Fayette	11-05-02	65.6%	22.95	100.0%	22.95	5	6-30-09
Gilmer	09-15-07	72.8%	8.68	37.8%	9.18	5	6-30-13
Grant	-	-	-	-	-	-	-
Greenbrier	12-06-03	81.2%	11.48	50.0%	11.48	5	6-30-09
Hampshire	-	-	-	-	-	-	-
Hancock	11-15-03	80.5%	20.65	90.0%	20.65	5	6-30-09
Hardy	-	-	-	-	-	-	-
Harrison	12-17-05	63.4%	20.21	88.1%	20.66	5	6-30-11
Jackson	11-05-02	66.4%	22.95	100.0%	22.95	5	6-30-09
Jefferson	11-07-06	69.0%	22.95	100.0%	22.95	4	6-30-11
Kanawha	10-18-03	50.4%	18.02	78.5%	21.34	5	6-30-09
Lewis	02-19-05	71.1%	12.62	55.0%	13.54	5	6-30-10
Lincoln	01-10-04	75.2%	22.95	100.0%	22.95	5	6-30-09
Logan	11-01-03	75.7%	22.95	100.0%	22.39	5	6-30-09
Marion	01-24-04	76.8%	21.00	91.5%	22.95	5	6-30-09
Marshall	12-14-07	65.4%	22.49	98.0%	22.95	5	6-30-13
Mason	11-01-03	76.7%	20.48	89.2%	20.48	5	6-30-09
McDowell	02-07-04	90.9%	22.95	100.0%	22.95	5	6-30-09
Mercer	11-02-04	72.0%	22.95	100.0%	22.95	5	6-30-10
Mineral	05-21-05	77.7%	22.95	100.0%	22.95	5	6-30-11
Mingo	11-22-03	89.0%	22.95	100.0%	22.95	5	6-30-09
Monongalia	11-07-06	67.7%	17.21	75.0%	17.21	5	6-30-12
Monroe	11-02-04	61.0%	17.21	75.0%	17.21	5	6-30-10
Morgan	12-13-03	71.5%	19.51	85.0%	22.95	5	6-30-09
Nicholas	11-02-04	50.9%	13.31	58.0%	13.31	5	6-30-11
Ohio	11-02-04	74.9%	21.92	95.5%	22.95	5	6-30-10
Pendleton	-	-	-	-	-	-	-
Pleasants	09-27-03	77.2%	19.06	83.1%	19.06	5	6-30-09
Pocahontas	-	-	-	-	-	-	-
Preston	11-07-06	59.7%	4.65	20.3%	5.50	3	6-30-10
Putnam	11-22-05	68.3%	22.95	100.0%	22.95	5	6-30-11
Raleigh	01-10-04	76.1%	22.95	100.0%	22.95	5	6-30-09
Randolph	-	-	-	-	-	-	-
Ritchie	11-07-06	66.3%	14.92	65.0%	14.92	3	6-30-10
Roane	-	-	-	-	-	-	-
Summers	-	-	-	-	-	-	-
Taylor	01-21-06	62.1%	11.48	50.0%	11.48	5	6-30-11
Tucker	05-09-06	51.1%	1.74	7.6%	1.74	2	6-30-09
Tyler	12-14-07	83.4%	22.95	100.0%	22.95	5	6-30-13
Upshur	12-06-03	54.0%	9.83	42.8%	9.83	5	6-30-09
Wayne	12-23-03	80.9%	22.95	100.0%	22.95	5	6-30-09
Webster	-	-	-	-	-	-	-
Wetzel	12-14-07	82.1%	22.95	100.0%	22.95	5	6-30-13
Wirt	05-09-06	70.9%	20.03	87.3%	20.66	5	6-30-12
Wood	10-18-03	74.2%	18.36	80.0%	18.36	5	6-30-09
Wyoming	11-01-03	83.5%	22.95	100.0%	22.95	5	6-30-09
<b>State (With Levies)</b>	<b>44</b>	<b>71.5%</b>	<b>18.42</b>	<b>80.3%</b>	<b>18.71</b>	<b>4.8</b>	<b>-</b>

OSF  
03/13/09  
EXCLVY 09

**COUNTY BOARDS OF EDUCATION  
BOND ELECTIONS ATTEMPTED SINCE 1971  
PRESENTED IN ALPHABETICAL ORDER**

County	Year of Bond Election	Previous Issue Passed	Amount of Bond Issue Proposed	Amount of Bond Issue Approved	Amount of Bond Issue Defeated	Percent of Voters For Bond
Barbour (1)	1978	1969	4,529,000	--	4,529,000	50.6%
Barbour (2)	1978	1969	4,529,000	--	4,529,000	55.0%
Barbour (3)	1979	1969	4,529,000	4,529,000	--	61.3%
Barbour (4)	1998	1979	8,000,000	--	8,000,000	45.8%
Barbour (5)	2000	1979	7,500,000	7,500,000	--	55.4%
Berkeley (1)	1974	--	3,560,000	3,560,000	--	69.2%
Berkeley (2)	1983	1974	12,700,000	--	12,700,000	47.7%
Berkeley (3)	1984	1974	12,000,000	--	12,000,000	49.6%
Berkeley (4)	1987	1974	10,960,000	10,960,000	--	66.0%
Berkeley (5)	1993	1987	42,200,000	--	42,200,000	35.7%
Berkeley (6)	1995	1987	15,950,000	15,950,000	--	56.4%
Berkeley (7)	2001	1995	27,800,000	27,800,000	--	63.3%
Boone	1977	--	6,745,000	6,745,000	--	81.1%
Braxton (1)	1977	1965	2,200,000	--	2,200,000	26.0%
Braxton (2)	1978	1965	2,840,000	--	2,840,000	32.4%
Braxton (3)	1997	1965	11,660,000	--	11,660,000	20.7%
Braxton (4)	2003	1965	7,200,000	--	7,200,000	42.7%
Braxton (5)	2008	1965	16,100,000	16,100,000	--	52.0%
Brooke (1)	1977	1965	5,565,000	--	5,565,000	32.7%
Brooke (2)	1981	1965	9,865,000	9,865,000	--	63.1%
Brooke (3)	2000	1981	15,000,000	15,000,000	--	57.7%
Cabell (1)	1980	1938	32,890,000	--	32,890,000	35.6%
Cabell (2)	1990	1938	45,000,000	45,000,000	--	57.2%
Cabell (3)	2006	1990	60,455,000	60,455,000	--	55.4%
Calhoun (1)	1975	1949	2,100,000	--	2,100,000	32.0%
Calhoun (2)	1975	1949	2,100,000	--	2,100,000	32.5%
Calhoun (3)	1990	1949	5,375,000	--	5,375,000	40.1%
Calhoun (4)	1990	1949	5,375,000	--	5,375,000	37.1%
Calhoun (5)	1996	1949	3,370,000	3,370,000	--	50.7%
Clay	--	1969	--	--	--	--
Doddridge (1)	1977	1940	1,871,358	--	1,871,358	17.2%
Doddridge (2)	2003	1940	8,900,000	8,900,000	--	61.5%
Fayette (1)	1973	1951	7,600,000	7,600,000	--	76.1%
Fayette (2)	2001	1973	39,000,000	--	39,000,000	13.8%
Gilmer (1)	1974	1955	1,825,000	--	1,825,000	33.0%
Gilmer (2)	1974	1955	2,125,000	--	2,125,000	48.0%
Gilmer (3)	1975	1955	2,125,000	--	2,125,000	50.0%
Gilmer (4)	1976	1955	2,459,000	--	2,459,000	53.6%
Gilmer (5)	1976	1955	2,459,000	--	2,459,000	51.6%
Grant (1)	1998	1996	3,500,000	--	3,500,000	49.4%
Grant (2)	2008	1996	2,495,500	--	2,495,500	42.0%
Greenbrier (1)	1981	1966	10,539,000	--	10,539,000	31.0%
Greenbrier (2)	1991	1966	20,200,000	--	20,200,000	26.0%
Greenbrier (3)	1996	1966	8,000,000	8,000,000	--	60.6%
Greenbrier (4)	2001	1996	8,000,000	8,000,000	--	69.0%
Greenbrier (5)	2005	2001	12,500,000	--	12,500,000	25.8%
Greenbrier (6)	2008	2001	37,745,000	37,745,000	--	50.8%



**COUNTY BOARDS OF EDUCATION  
BOND ELECTIONS ATTEMPTED SINCE 1971  
PRESENTED IN ALPHABETICAL ORDER**

County	Year of Bond Election	Previous Issue Passed	Amount of Bond Issue Proposed	Amount of Bond Issue Approved	Amount of Bond Issue Defeated	Percent of Voters For Bond
Hampshire (1)	1988	1962	8,680,000	--	8,680,000	49.0%
Hampshire (2)	1989	1962	8,680,000	--	8,680,000	23.0%
Hampshire (3)	1997	1962	11,060,000	--	11,060,000	43.8%
Hampshire (4)	1998	1962	3,740,000	3,740,000	--	55.1%
Hancock (1)	1978	1961	13,885,000	--	13,885,000	47.6%
Hancock (2)	1980	1961	13,885,000	13,885,000	--	64.6%
Hancock (3)	1996	1980	12,800,000	--	12,800,000	35.0%
Hancock (4)	1997	1980	12,500,000	--	12,500,000	27.9%
Hancock (5)	2005	1980	34,000,000	--	34,000,000	28.0%
Hardy (1)	1972	--	950,000	950,000	--	65.0%
Hardy (2)	1977	1972	2,430,000	2,430,000	--	68.1%
Hardy (3)	1992	1977	8,000,000	--	8,000,000	32.0%
Hardy (4)	1994	1977	3,700,000	3,700,000	--	61.5%
Hardy (5)	2002	1994	11,970,000	--	11,970,000	46.0%
Hardy (6)	2003	1994	11,970,000	--	11,970,000	46.0%
Harrison (1)	1975	--	12,800,000	--	12,800,000	54.1%
Harrison (2)	1975	--	12,800,000	--	12,800,000	47.2%
Harrison (3)	1988	--	39,700,000	--	39,700,000	42.0%
Harrison (4)	1991	--	37,925,000	37,925,000	--	51.0%
Harrison (5)	2007	1991	42,465,000	--	42,465,000	39.2%
Jackson (1)	1974	1959	5,525,000	--	5,525,000	35.0%
Jackson (2)	2006	1959	39,380,000	--	39,380,000	25.1%
Jefferson (1)	1974	--	1,520,000	1,520,000	--	63.3%
Jefferson (2)	1989	1974	18,000,000	18,000,000	--	74.1%
Jefferson (3)	2000	1989	39,000,000	--	39,000,000	35.0%
Jefferson (4)	2004	1989	19,000,000	19,000,000	--	71.2%
Kanawha (1)	1976	1967	39,467,000	--	39,467,000	44.0%
Kanawha (2)	1989	1967	103,670,000	--	103,670,000	34.1%
Kanawha (3)	1992	1967	73,705,000	--	73,705,000	49.3%
Kanawha (4)	1995	1967	12,670,000	12,670,000	--	68.3%
Kanawha (5)	1997	1995	98,165,000	--	98,165,000	36.9%
Kanawha (6)	2000	1995	27,505,000	27,505,000	--	59.9%
Lewis (1)	1979	--	6,430,000	--	6,430,000	39.4%
Lewis (2)	2002	--	8,000,000	--	8,000,000	42.0%
Lewis (3)	2003	--	3,980,000	--	3,980,000	36.7%
Lincoln (1)	1976	1952	2,966,658	--	2,966,658	42.5%
Lincoln (2)	1976	1952	2,966,658	--	2,966,658	38.5%
Lincoln (3)	1978	1952	3,157,000	3,157,000	--	66.4%
Lincoln (4)	1991	1978	6,375,000	--	6,375,000	38.1%
Logan (1)	1983	1969	10,000,000	--	10,000,000	34.0%
Logan (2)	1991	1969	23,205,000	--	23,205,000	27.0%
Logan (3)	2003	1969	6,500,000	--	6,500,000	48.0%
Marion (1)	1975	--	12,800,000	--	12,800,000	52.5%
Marion (2)	1975	--	12,800,000	--	12,800,000	58.7%
Marion (3)	1976	--	13,475,000	--	13,475,000	46.7%
Marion (4)	1983	--	29,930,000	--	29,930,000	35.1%
Marion (5)	1988	--	32,100,000	--	32,100,000	45.0%
Marion (6)	1989	--	12,330,000	12,330,000	--	55.7%
Marion (7)	1996	1989	3,250,000	3,250,000	--	59.3%

**COUNTY BOARDS OF EDUCATION  
BOND ELECTIONS ATTEMPTED SINCE 1971  
PRESENTED IN ALPHABETICAL ORDER**

County	Year of Bond Election	Previous Issue Passed	Amount of Bond Issue Proposed	Amount of Bond Issue Approved	Amount of Bond Issue Defeated	Percent of Voters For Bond
Marion (8)	2000	1996	29,705,000	--	29,705,000	25.0%
Marion (9)	2001	1996	12,000,000	--	12,000,000	42.0%
Marion (10)	2002	1996	4,500,000	4,500,000	--	53.8%
Marshall (1)	1974	1965	4,350,000	4,350,000	--	75.2%
Marshall (2)	1995	1974	37,790,000	--	37,790,000	26.7%
Marshall (3)	1996	1974	19,870,000	--	19,870,000	36.8%
Marshall (4)	2006	1974	27,900,000	27,900,000	--	51.0%
Mason (1)	1980	1950	8,307,332	--	8,307,332	51.6%
Mason (2)	1980	1950	9,366,000	--	9,366,000	58.5%
Mason (3)	1980	1950	9,366,000	--	9,366,000	49.5%
Mason (4)	1989	1950	18,700,000	--	18,700,000	43.0%
Mason (5)	1990	1950	16,300,000	--	16,300,000	32.0%
Mason (6)	1991	1950	16,300,000	--	16,300,000	42.0%
Mason (7)	2000	1950	24,610,000	--	24,610,000	29.0%
Mason (8)	2004	1950	12,000,000	12,000,000	-	55.0%
McDowell (1)	1974	1964	4,000,000	4,000,000	--	73.0%
McDowell (2)	1996	1974	21,865,000	--	21,865,000	16.0%
Mercer (1)	1979	1954	16,737,000	16,737,000	--	66.2%
Mercer (2)	2001	1979	21,900,000	--	21,900,000	14.0%
Mineral (1)	1973	1938	3,354,000	3,354,000	--	79.0%
Mineral (2)	1990	1973	15,300,000	--	15,300,000	36.0%
Mineral (3)	1991	1973	7,500,000	--	7,500,000	48.0%
Mineral (4)	2001	1973	14,950,000	--	14,950,000	36.0%
Mineral (5)	2004	1973	15,800,000	--	15,800,000	42.0%
Mineral (6)	2008	1973	15,800,000	--	15,800,000	47.9%
Mineral (7)	2008	1973	15,800,000	--	15,800,000	41.6%
Mingo (1)	1978	1967	4,220,000	--	4,220,000	55.9%
Mingo (2)	1979	1967	4,220,000	4,220,000	--	61.6%
Mingo (3)	1984	1979	7,850,000	7,850,000	--	70.6%
Mingo (4)	1990	1984	13,000,000	--	13,000,000	33.0%
Mingo (5)	1990	1984	10,970,000	--	10,970,000	38.0%
Mingo (6)	1993	1984	27,000,000	--	27,000,000	29.8%
Monongalia (1)	1974	1952	7,500,000	--	7,500,000	57.1%
Monongalia (2)	1976	1952	6,995,000	6,995,000	--	66.8%
Monongalia (3)	1987	1976	29,525,000	--	29,525,000	48.0%
Monongalia (4)	1989	1976	32,500,000	32,500,000	--	62.0%
Monongalia (5)	2000	1989	80,079,000	--	80,079,000	28.0%
Monongalia (6)	2003	1989	50,000,000	50,000,000	--	73.2%
Monroe (1)	1975	1961	1,725,000	--	1,725,000	25.9%
Monroe (2)	1993	1961	3,177,915	--	3,177,915	39.3%
Monroe (3)	1998	1961	2,995,000	--	2,995,000	44.0%
Monroe (4)	1999	1961	2,100,000	2,100,000	--	53.9%
Morgan (1)	1972	1964	1,835,000	--	1,835,000	54.7%
Morgan (2)	1972	1964	1,595,000	--	1,595,000	54.8%
Morgan (3)	1974	1964	1,835,000	1,835,000	--	77.0%
Morgan (4)	1993	1974	7,500,000	--	7,500,000	32.4%
Nicholas (1)	1975	--	4,500,000	4,500,000	--	70.0%
Nicholas (2)	1988	1975	8,000,000	8,000,000	--	53.0%

**COUNTY BOARDS OF EDUCATION  
BOND ELECTIONS ATTEMPTED SINCE 1971  
PRESENTED IN ALPHABETICAL ORDER**

County	Year of Bond Election	Previous Issue Passed	Amount of Bond Issue Proposed	Amount of Bond Issue Approved	Amount of Bond Issue Defeated	Percent of Voters For Bond
Ohio (1)	1973	1940	14,235,000	14,235,000	--	68.4%
Ohio (2)	1986	1973	2,300,000	2,300,000	--	68.2%
Ohio (3)	1993	1986	14,800,000	14,800,000	--	77.5%
Pendleton	1979	--	1,800,000	--	1,800,000	38.8%
Pleasants (1)	1973	1959	1,800,000	1,800,000	--	60.7%
Pleasants (2)	2000	1973	15,000,000	--	15,000,000	28.0%
Pocahontas (1)	1976	1968	1,818,000	--	1,818,000	35.1%
Pocahontas (2)	1980	1968	3,280,000	--	3,280,000	37.5%
Pocahontas (3)	1980	1968	3,280,000	--	3,280,000	33.8%
Pocahontas (4)	1994	1968	400,000	--	400,000	25.0%
Preston (1)	1973	1947	4,965,000	--	4,965,000	46.6%
Preston (2)	1974	1947	5,320,000	--	5,320,000	57.3%
Preston (3)	1974	1947	5,320,000	--	5,320,000	49.2%
Preston (4)	1976	1947	6,140,000	--	6,140,000	47.1%
Preston (5)	1984	1947	10,735,000	--	10,735,000	35.1%
Preston (6)	1985	1947	11,690,000	--	11,690,000	45.3%
Preston (7)	1986	1947	15,690,000	--	15,690,000	38.5%
Preston (8)	1989	1947	8,850,000	8,850,000	--	55.0%
Preston (9)	2008	1989	49,995,000	--	49,995,000	49.7%
Putnam (1)	1974	1967	4,900,000	--	4,900,000	59.1%
Putnam (2)	1974	1967	4,900,000	--	4,900,000	48.0%
Putnam (3)	1976	1967	5,795,000	5,795,000	--	68.3%
Putnam (4)	1993	1976	39,500,000	--	39,500,000	27.1%
Putnam (5)	2001	1976	35,850,000	--	35,850,000	25.2%
Putnam (6)	2002	1976	20,500,000	--	20,500,000	46.5%
Raleigh (1)	1973	1963	7,760,000	7,760,000	--	80.6%
Raleigh (2)	1980	1973	14,825,000	14,825,000	--	63.4%
Raleigh (3)	1991	1980	30,965,000	--	30,965,000	25.1%
Raleigh (4)	1998	1980	14,500,000	14,500,000	--	54.5%
Raleigh (5)	2004	1998	13,000,000	13,000,000	--	76.1%
Randolph (1)	1974	1951	3,580,000	3,580,000	--	64.4%
Randolph (2)	1996	1974	19,365,000	--	19,365,000	35.0%
Randolph (3)	1996	1974	19,365,500	--	19,365,500	36.9%
Ritchie (1)	1973	--	1,972,000	--	1,972,000	47.0%
Ritchie (2)	1979	--	3,326,528	--	3,326,528	35.3%
Roane (1)	1976	1946	3,430,000	--	3,430,000	54.1%
Roane (2)	1977	1946	7,386,500	3,710,000	3,676,500	63.7%
Roane (3)	1994	1977	3,700,000	3,700,000	--	64.3%
Summers	1992	--	3,300,000	--	3,300,000	46.7%
Taylor (1)	1974	1968	939,000	--	939,000	25.4%
Taylor (2)	1976	1968	1,515,533	--	1,515,533	43.3%
Taylor (3)	1978	1968	3,000,000	--	3,000,000	45.7%
Taylor (4)	1987	1968	6,700,000	6,700,000	--	61.6%
Taylor (5)	1999	1987	9,700,000	--	9,700,000	37.0%
Taylor (6)	2001	1987	5,120,995	5,120,995	--	77.7%
Taylor (7)	2002	2001	10,990,000	10,990,000	--	57.5%
Tucker (1)	1975	1938	1,285,000	1,285,000	--	60.3%
Tucker (2)	1994	1975	6,385,000	--	6,385,000	33.0%

**COUNTY BOARDS OF EDUCATION  
BOND ELECTIONS ATTEMPTED SINCE 1971  
PRESENTED IN ALPHABETICAL ORDER**

County	Year of Bond Election	Previous Issue Passed	Amount of Bond Issue Proposed	Amount of Bond Issue Approved	Amount of Bond Issue Defeated	Percent of Voters For Bond
Tyler (1)	1973	--	1,855,000	1,855,000	--	83.3%
Tyler (2)	1990	1973	6,200,000	6,200,000	--	63.9%
Upshur	1973	1956	3,552,000	3,552,000	--	70.6%
Wayne (1)	1977	--	7,155,000	--	7,155,000	46.5%
Wayne (2)	1985	--	14,300,000	14,300,000	--	53.0%
Wayne (3)	1999	--	32,000,000	--	32,000,000	20.0%
Webster (1)	1972	1953	1,535,000	1,535,000	--	75.9%
Wetzel (1)	1972	--	3,740,000	--	3,740,000	48.9%
Wetzel (2)	1974	--	4,955,000	4,955,000	--	72.5%
Wetzel (3)	1986	1974	8,900,000	8,900,000	--	61.5%
Wirt (1)	1975	1961	935,000	--	935,000	27.6%
Wirt (2)	1991	1961	1,500,000	1,500,000	--	56.0%
Wood (1)	1971	1964	8,995,000	8,995,000	--	61.4%
Wood (2)	1982	1971	18,100,000	--	18,100,000	46.8%
Wood (3)	1984	1971	3,950,000	3,950,000	--	57.8%
Wood (4)	1990	1984	9,995,000	9,995,000	--	56.8%
Wood (5)	1990	1990	12,550,000	--	12,550,000	31.2%
Wood (6)	1991	1990	7,637,000	--	7,637,000	36.3%
Wood (7)	2004	1990	35,000,000	35,000,000	--	67.2%
Wyoming (1)	1975	1959	5,875,000	--	5,875,000	50.5%
Wyoming (2)	1976	1959	7,720,000	--	7,720,000	57.9%
Wyoming (3)	1977	1959	7,720,000	--	7,720,000	55.0%
Wyoming (4)	1992	1959	10,000,000	--	10,000,000	42.0%
Wyoming (5)	1995	1959	14,000,000	--	14,000,000	35.0%
Wyoming (6)	2000	1959	7,000,000	7,000,000	--	61.0%

NOTE: Percent of votes required for approval of bond levy changed from 60% to 50% by constitutional amendment adopted at the General Election on Nov. 2, 1982.

OSF2  
03/13/09  
Bonds 08

**COUNTY BOARDS OF EDUCATION  
BOND ELECTIONS ATTEMPTED SINCE 1971  
PRESENTED IN CHRONOLOGICAL ORDER**

County	Year of Bond Election	Previous Issue Passed	Amount of Bond Issue Proposed	Amount of Bond Issue Approved	Amount of Bond Issue Defeated	Percent of Voters For Bond
Wood (1)	1971	1964	8,995,000	8,995,000	--	61.4%
Hardy (1)	1972	--	950,000	950,000	--	65.0%
Morgan (1)	1972	1964	1,835,000	--	1,835,000	54.7%
Morgan (2)	1972	1964	1,595,000	--	1,595,000	54.8%
Webster (1)	1972	1953	1,535,000	1,535,000	--	75.9%
Wetzel (1)	1972	--	3,740,000	--	3,740,000	48.9%
Fayette (1)	1973	1951	7,600,000	7,600,000	--	76.1%
Mineral (1)	1973	1938	3,354,000	3,354,000	--	79.0%
Ohio (1)	1973	1940	14,235,000	14,235,000	--	68.4%
Pleasants (1)	1973	1959	1,800,000	1,800,000	--	60.7%
Preston (1)	1973	1947	4,965,000	--	4,965,000	46.6%
Raleigh (1)	1973	1963	7,760,000	7,760,000	--	80.6%
Ritchie (1)	1973	--	1,972,000	--	1,972,000	47.0%
Tyler (1)	1973	--	1,855,000	1,855,000	--	83.3%
Upshur	1973	1956	3,552,000	3,552,000	--	70.6%
Berkeley (1)	1974	--	3,560,000	3,560,000	--	69.2%
Gilmer (1)	1974	1955	1,825,000	--	1,825,000	33.0%
Gilmer (2)	1974	1955	2,125,000	--	2,125,000	48.0%
Jackson	1974	1959	5,525,000	--	5,525,000	35.0%
Jefferson (1)	1974	--	1,520,000	1,520,000	--	63.3%
Marshall (1)	1974	1965	4,350,000	4,350,000	--	75.2%
McDowell (1)	1974	1964	4,000,000	4,000,000	--	73.0%
Monongalia (1)	1974	1952	7,500,000	--	7,500,000	57.1%
Morgan (3)	1974	1964	1,835,000	1,835,000	--	77.0%
Preston (2)	1974	1947	5,320,000	--	5,320,000	57.3%
Preston (3)	1974	1947	5,320,000	--	5,320,000	49.2%
Putnam (1)	1974	1967	4,900,000	--	4,900,000	59.1%
Putnam (2)	1974	1967	4,900,000	--	4,900,000	48.0%
Randolph (1)	1974	1951	3,580,000	3,580,000	--	64.4%
Taylor (1)	1974	1968	939,000	--	939,000	25.4%
Wetzel (2)	1974	--	4,955,000	4,955,000	--	72.5%
Calhoun (1)	1975	1949	2,100,000	--	2,100,000	32.0%
Calhoun (2)	1975	1949	2,100,000	--	2,100,000	32.5%
Gilmer (3)	1975	1955	2,125,000	--	2,125,000	50.0%
Harrison (1)	1975	--	12,800,000	--	12,800,000	54.1%
Harrison (2)	1975	--	12,800,000	--	12,800,000	47.2%
Marion (1)	1975	--	12,800,000	--	12,800,000	52.5%
Marion (2)	1975	--	12,800,000	--	12,800,000	58.7%
Monroe (1)	1975	1961	1,725,000	--	1,725,000	25.9%
Nicholas (1)	1975	--	4,500,000	4,500,000	--	70.0%
Tucker (1)	1975	1938	1,285,000	1,285,000	--	60.3%
Wirt (1)	1975	1961	935,000	--	935,000	27.6%
Wyoming (1)	1975	1959	5,875,000	--	5,875,000	50.5%
Gilmer (4)	1976	1955	2,459,000	--	2,459,000	53.6%
Gilmer (5)	1976	1955	2,459,000	--	2,459,000	51.6%
Kanawha (1)	1976	1967	39,467,000	--	39,467,000	44.0%
Lincoln (1)	1976	1952	2,966,658	--	2,966,658	42.5%
Lincoln (2)	1976	1952	2,966,658	--	2,966,658	38.5%
Marion (3)	1976	--	13,475,000	--	13,475,000	46.7%
Monongalia (2)	1976	1952	6,995,000	6,995,000	--	66.8%
Pocahontas (1)	1976	1968	1,818,000	--	1,818,000	35.1%
Preston (4)	1976	1947	6,140,000	--	6,140,000	47.1%
Putnam (3)	1976	1967	5,795,000	5,795,000	--	68.3%
Roane (1)	1976	1946	3,430,000	--	3,430,000	54.1%
Taylor (2)	1976	1968	1,515,533	--	1,515,533	43.3%
Wyoming (2)	1976	1959	7,720,000	--	7,720,000	57.9%

**COUNTY BOARDS OF EDUCATION  
BOND ELECTIONS ATTEMPTED SINCE 1971  
PRESENTED IN CHRONOLOGICAL ORDER**

County	Year of Bond Election	Previous Issue Passed	Amount of Bond Issue Proposed	Amount of Bond Issue Approved	Amount of Bond Issue Defeated	Percent of Voters For Bond
Boone	1977	--	6,745,000	6,745,000	--	81.1%
Braxton (1)	1977	1965	2,200,000	--	2,200,000	26.0%
Brooke (1)	1977	1965	5,565,000	--	5,565,000	32.7%
Doddridge (1)	1977	1940	1,871,358	--	1,871,358	17.2%
Hardy (2)	1977	1972	2,430,000	2,430,000	--	68.1%
Roane (2)	1977	1946	7,386,500	3,710,000	3,676,500	63.7%
Wayne (1)	1977	--	7,155,000	--	7,155,000	46.5%
Wyoming (3)	1977	1959	7,720,000	--	7,720,000	55.0%
Barbour (1)	1978	1969	4,529,000	--	4,529,000	50.6%
Barbour (2)	1978	1969	4,529,000	--	4,529,000	55.0%
Braxton (2)	1978	1965	2,840,000	--	2,840,000	32.4%
Hancock (1)	1978	1961	13,885,000	--	13,885,000	47.6%
Lincoln (3)	1978	1952	3,157,000	3,157,000	--	66.4%
Mingo (1)	1978	1967	4,220,000	--	4,220,000	55.9%
Taylor (3)	1978	1968	3,000,000	--	3,000,000	45.7%
Barbour (3)	1979	1969	4,529,000	4,529,000	--	61.3%
Lewis (1)	1979	--	6,430,000	--	6,430,000	39.4%
Mercer (1)	1979	1954	16,737,000	16,737,000	--	66.2%
Mingo (2)	1979	1967	4,220,000	4,220,000	--	61.6%
Pendleton	1979	--	1,800,000	--	1,800,000	38.8%
Ritchie (2)	1979	--	3,326,528	--	3,326,528	35.3%
Cabell (1)	1980	1938	32,890,000	--	32,890,000	35.6%
Hancock (2)	1980	1961	13,885,000	13,885,000	--	64.6%
Mason (1)	1980	1950	8,307,332	--	8,307,332	51.6%
Mason (2)	1980	1950	9,366,000	--	9,366,000	58.5%
Mason (3)	1980	1950	9,366,000	--	9,366,000	49.5%
Pocahontas (2)	1980	1968	3,280,000	--	3,280,000	37.5%
Pocahontas (3)	1980	1968	3,280,000	--	3,280,000	33.8%
Raleigh (2)	1980	1973	14,825,000	14,825,000	--	63.4%
Brooke (2)	1981	1965	9,865,000	9,865,000	--	63.1%
Greenbrier (1)	1981	1966	10,539,000	--	10,539,000	31.0%
Wood (2)	1982	1971	18,100,000	--	18,100,000	46.8%
Berkeley (2)	1983	1974	12,700,000	--	12,700,000	47.7%
Logan (1)	1983	1969	10,000,000	--	10,000,000	34.0%
Marion (4)	1983	--	29,930,000	--	29,930,000	35.1%
Berkeley (3)	1984	1974	12,000,000	--	12,000,000	49.6%
Mingo (3)	1984	1979	7,850,000	7,850,000	--	70.6%
Preston (5)	1984	1947	10,735,000	--	10,735,000	35.1%
Wood (3)	1984	1971	3,950,000	3,950,000	--	57.8%
Preston (6)	1985	1947	11,690,000	--	11,690,000	45.3%
Wayne (2)	1985	--	14,300,000	14,300,000	--	53.0%
Ohio (2)	1986	1973	2,300,000	2,300,000	--	68.2%
Preston (7)	1986	1947	15,690,000	--	15,690,000	38.5%
Wetzel (3)	1986	1974	8,900,000	8,900,000	--	61.5%
Berkeley (4)	1987	1974	10,960,000	10,960,000	--	66.0%
Monongalia (3)	1987	1976	29,525,000	--	29,525,000	48.0%
Taylor (4)	1987	1968	6,700,000	6,700,000	--	61.6%

**COUNTY BOARDS OF EDUCATION  
BOND ELECTIONS ATTEMPTED SINCE 1971  
PRESENTED IN CHRONOLOGICAL ORDER**

County	Year of Bond Election	Previous Issue Passed	Amount of Bond Issue Proposed	Amount of Bond Issue Approved	Amount of Bond Issue Defeated	Percent of Voters For Bond
Hampshire (1)	1988	1962	8,680,000	--	8,680,000	49.0%
Harrison (3)	1988	--	39,700,000	--	39,700,000	42.0%
Marion (5)	1988	--	32,100,000	--	32,100,000	45.0%
Nicholas (2)	1988	1975	8,000,000	8,000,000	--	53.0%
Hampshire (2)	1989	1962	8,680,000	--	8,680,000	23.0%
Jefferson (2)	1989	1974	18,000,000	18,000,000	--	74.1%
Kanawha (2)	1989	1967	103,670,000	--	103,670,000	34.1%
Marion (6)	1989	--	12,330,000	12,330,000	--	55.7%
Mason (4)	1989	1950	18,700,000	--	18,700,000	43.0%
Monongalia (4)	1989	1976	32,500,000	32,500,000	--	62.0%
Preston (8)	1989	1947	8,850,000	8,850,000	--	55.0%
Cabell (2)	1990	1938	45,000,000	45,000,000	--	57.2%
Calhoun (3)	1990	1949	5,375,000	--	5,375,000	40.1%
Calhoun (4)	1990	1949	5,375,000	--	5,375,000	37.1%
Mason (5)	1990	1950	16,300,000	--	16,300,000	32.0%
Mineral (2)	1990	1973	15,300,000	--	15,300,000	36.0%
Mingo (4)	1990	1984	13,000,000	--	13,000,000	33.0%
Mingo (5)	1990	1984	10,970,000	--	10,970,000	38.0%
Tyler (2)	1990	1973	6,200,000	6,200,000	--	63.9%
Wood (4)	1990	1984	9,995,000	9,995,000	--	56.8%
Wood (5)	1990	1990	12,550,000	--	12,550,000	31.2%
Greenbrier (2)	1991	1966	20,200,000	--	20,200,000	26.0%
Harrison (4)	1991	--	37,925,000	37,925,000	--	51.0%
Lincoln (4)	1991	1978	6,375,000	--	6,375,000	38.1%
Logan (2)	1991	1969	23,205,000	--	23,205,000	27.0%
Mason (6)	1991	1950	16,300,000	--	16,300,000	42.0%
Mineral (3)	1991	1973	7,500,000	--	7,500,000	48.0%
Raleigh (3)	1991	1980	30,965,000	--	30,965,000	25.1%
Wirt (2)	1991	1961	1,500,000	1,500,000	--	56.0%
Wood (6)	1991	1990	7,637,000	--	7,637,000	36.3%
Hardy (3)	1992	1977	8,000,000	--	8,000,000	32.0%
Kanawha (3)	1992	1967	73,705,000	--	73,705,000	49.3%
Summers	1992	--	3,300,000	--	3,300,000	46.7%
Wyoming (4)	1992	1959	10,000,000	--	10,000,000	42.0%
Berkeley (5)	1993	1987	42,200,000	--	42,200,000	35.7%
Mingo (6)	1993	1984	27,000,000	--	27,000,000	29.8%
Monroe (2)	1993	1961	3,177,915	--	3,177,915	39.3%
Morgan (4)	1993	1974	7,500,000	--	7,500,000	32.4%
Ohio (3)	1993	1986	14,800,000	14,800,000	--	77.5%
Putnam (4)	1993	1976	39,500,000	--	39,500,000	27.1%
Hardy (4)	1994	1977	3,700,000	3,700,000	--	61.5%
Pocahontas (4)	1994	1968	400,000	--	400,000	25.0%
Roane (3)	1994	1977	3,700,000	3,700,000	--	64.3%
Tucker (2)	1994	1975	6,385,000	--	6,385,000	33.0%
Berkeley (6)	1995	1987	15,950,000	15,950,000	--	56.4%
Kanawha (4)	1995	1967	12,670,000	12,670,000	--	68.3%
Marshall (2)	1995	1974	37,790,000	--	37,790,000	26.7%
Wyoming (5)	1995	1959	14,000,000	--	14,000,000	35.0%
Calhoun (5)	1996	1949	3,370,000	3,370,000	--	50.7%
Greenbrier (3)	1996	1966	8,000,000	8,000,000	--	60.6%
Hancock (3)	1996	1980	12,800,000	--	12,800,000	35.0%
Marion (7)	1996	1989	3,250,000	3,250,000	--	59.3%
Marshall (3)	1996	1974	19,870,000	--	19,870,000	36.8%
McDowell (2)	1996	1974	21,865,000	--	21,865,000	16.0%

**COUNTY BOARDS OF EDUCATION  
BOND ELECTIONS ATTEMPTED SINCE 1971  
PRESENTED IN CHRONOLOGICAL ORDER**

County	Year of Bond Election	Previous Issue Passed	Amount of Bond Issue Proposed	Amount of Bond Issue Approved	Amount of Bond Issue Defeated	Percent of Voters For Bond
Randolph (2)	1996	1974	19,365,000	--	19,365,000	35.0%
Randolph (3)	1996	1974	19,365,500	--	19,365,500	36.9%
Braxton (3)	1997	1965	11,660,000	--	11,660,000	20.7%
Hampshire (3)	1997	1962	11,060,000	--	11,060,000	43.8%
Hancock (4)	1997	1980	12,500,000	--	12,500,000	27.9%
Kanawha (5)	1997	1995	98,165,000	--	98,165,000	36.9%
Barbour (4)	1998	1979	8,000,000	--	8,000,000	45.8%
Grant (1)	1998	1996	3,500,000	--	3,500,000	49.4%
Hampshire (4)	1998	1962	3,740,000	3,740,000	--	55.1%
Monroe (3)	1998	1961	2,995,000	--	2,995,000	44.0%
Raleigh (4)	1998	1980	14,500,000	14,500,000	--	54.5%
Monroe (4)	1999	1961	2,100,000	2,100,000	--	53.9%
Taylor (5)	1999	1987	9,700,000	--	9,700,000	37.0%
Wayne (3)	1999	--	32,000,000	--	32,000,000	20.0%
Barbour (5)	2000	1979	7,500,000	7,500,000	--	55.4%
Brooke (3)	2000	1981	15,000,000	15,000,000	--	57.7%
Jefferson (3)	2000	1989	39,000,000	--	39,000,000	35.0%
Kanawha (6)	2000	1995	27,505,000	27,505,000	--	59.9%
Marion (8)	2000	1996	29,705,000	--	29,705,000	25.0%
Mason (7)	2000	1950	24,610,000	--	24,610,000	29.0%
Monongalia (5)	2000	1989	80,079,000	--	80,079,000	28.0%
Pleasants (2)	2000	1973	15,000,000	--	15,000,000	28.0%
Wyoming (6)	2000	1959	7,000,000	7,000,000	--	61.0%
Berkeley (7)	2001	1995	27,800,000	27,800,000	--	63.3%
Fayette (2)	2001	1973	39,000,000	--	39,000,000	13.8%
Greenbrier (4)	2001	1996	8,000,000	8,000,000	--	69.0%
Marion (9)	2001	1996	12,000,000	--	12,000,000	42.0%
Mercer (2)	2001	1979	21,900,000	--	21,900,000	14.0%
Mineral (4)	2001	1973	14,950,000	--	14,950,000	36.0%
Putnam (5)	2001	1976	35,850,000	--	35,850,000	25.2%
Taylor (6)	2001	1987	5,120,995	5,120,995	--	77.7%
Hardy (5)	2002	1994	11,970,000	--	11,970,000	46.0%
Lewis (2)	2002	--	8,000,000	--	8,000,000	42.0%
Marion (10)	2002	1996	4,500,000	4,500,000	--	53.8%
Putnam (6)	2002	1976	20,500,000	--	20,500,000	46.5%
Taylor (7)	2002	2001	10,990,000	10,990,000	--	57.5%
Braxton (4)	2003	1965	7,200,000	--	7,200,000	42.7%
Doddridge (2)	2003	1940	8,900,000	8,900,000	--	61.5%
Hardy (6)	2003	1994	11,970,000	--	11,970,000	46.0%
Lewis (3)	2003	--	3,980,000	--	3,980,000	36.7%
Logan (3)	2003	1969	6,500,000	--	6,500,000	48.0%
Monongalia (6)	2003	1989	50,000,000	50,000,000	--	73.2%
Jefferson (4)	2004	1989	19,000,000	19,000,000	--	71.2%
Mason (8)	2004	1950	12,000,000	12,000,000	--	55.0%
Mineral (5)	2004	1973	15,800,000	--	15,800,000	42.0%
Raleigh (5)	2004	1998	13,000,000	13,000,000	--	76.1%
Wood (7)	2004	1990	35,000,000	35,000,000	--	67.2%
Greenbrier (5)	2005	2001	12,500,000	--	12,500,000	25.8%
Hancock (5)	2005	1980	34,000,000	--	34,000,000	28.0%



**COUNTY BOARDS OF EDUCATION  
BOND ELECTIONS ATTEMPTED SINCE 1971  
PRESENTED IN CHRONOLOGICAL ORDER**

County	Year of Bond Election	Previous Issue Passed	Amount of Bond Issue Proposed	Amount of Bond Issue Approved	Amount of Bond Issue Defeated	Percent of Voters For Bond
Cabell (3)	2006	1990	60,455,000	60,455,000	--	55.4%
Jackson (2)	2006	1959	39,380,000	--	39,380,000	25.1%
Marshall (4)	2006	1974	27,900,000	27,900,000	--	51.0%
Harrison (5)	2007	1991	42,465,000	--	42,465,000	39.2%
Braxton (5)	2008	1965	16,100,000	16,100,000		52.0%
Grant (2)	2008	1996	2,495,500	--	2,495,500	42.0%
Greenbrier (6)	2008	2001	37,745,000	37,745,000		50.8%
Mineral (6)	2008	1973	15,800,000	--	15,800,000	47.9%
Mineral (7)	2008	1973	15,800,000	--	15,800,000	41.6%
Preston (9)	2008	1989	49,995,000	--	49,995,000	49.7%

NOTE: Percent of votes required for approval of bond levy changed from 60% to 50% by constitutional amendment adopted at the General Election on Nov. 2, 1982.

OSF2  
03/13/09  
Bonds 08

**COUNTY BOARDS OF EDUCATION  
BONDING POTENTIAL  
2008-09 YEAR**

County	Taxable Assessed Valuation	Bonding Potential at 5%	Bonds Outstanding June 30, 2008	Unused Potential Remaining
Barbour	\$ 352,160,981	\$ 17,608,049	\$ 1,897,300	\$ 15,710,749
Berkeley	5,297,766,744	264,888,337	22,110,000	242,778,337
Boone	1,469,902,351	73,495,118	-	73,495,118
Braxton	472,329,776	23,616,489	-	23,616,489
Brooke	763,665,973	38,183,299	9,415,000	28,768,299
Cabell	2,918,655,734	145,932,787	54,540,000	91,392,787
Calhoun	214,004,370	10,700,219	1,250,000	9,450,219
Clay	304,884,433	15,244,222	-	15,244,222
Doddridge	384,210,722	19,210,536	7,120,000	12,090,536
Fayette	1,098,364,846	54,918,242	-	54,918,242
Gilmer	316,736,107	15,836,805	-	15,836,805
Grant	724,798,055	36,239,903	-	36,239,903
Greenbrier	1,465,984,079	73,299,204	8,375,000	64,924,204
Hampshire	1,377,831,337	68,891,567	460,000	68,431,567
Hancock	922,263,436	46,113,172	-	46,113,172
Hardy	763,501,384	38,175,069	-	38,175,069
Harrison	2,820,459,286	141,022,964	-	141,022,964
Jackson	1,128,981,094	56,449,055	-	56,449,055
Jefferson	4,006,006,801	200,300,340	19,460,000	180,840,340
Kanawha	8,036,607,585	401,830,379	7,415,000	394,415,379
Lewis	854,234,489	42,711,724	-	42,711,724
Lincoln	448,954,961	22,447,748	-	22,447,748
Logan	1,283,510,867	64,175,543	-	64,175,543
Marion	1,894,334,917	94,716,746	-	94,716,746
Marshall	1,464,588,896	73,229,445	26,510,000	46,719,445
Mason	1,072,116,164	53,605,808	8,560,000	45,045,808
McDowell	820,381,942	41,019,097	-	41,019,097
Mercer	1,460,440,871	73,022,044	-	73,022,044
Mineral	856,488,546	42,824,427	-	42,824,427
Mingo	1,016,108,197	50,805,410	-	50,805,410
Monongalia	3,651,920,821	182,596,041	47,160,000	135,436,041
Monroe	260,375,207	13,018,760	1,030,000	11,988,760
Morgan	979,552,525	48,977,626	-	48,977,626
Nicholas	807,565,887	40,378,294	-	40,378,294
Ohio	1,556,782,562	77,839,128	9,450,000	68,389,128
Pendleton	361,768,655	18,088,433	-	18,088,433
Pleasants	563,035,724	28,151,786	-	28,151,786
Pocahontas	681,168,957	34,058,448	-	34,058,448
Preston	1,094,007,069	54,700,353	-	54,700,353
Putnam	2,517,914,028	125,895,701	-	125,895,701
Raleigh	2,451,295,330	122,564,767	2,755,000	119,809,767
Randolph	914,189,253	45,709,463	-	45,709,463
Ritchie	415,707,226	20,785,361	-	20,785,361
Roane	368,290,699	18,414,535	1,840,000	16,574,535
Summers	336,906,523	16,845,326	-	16,845,326
Taylor	492,412,343	24,620,617	8,770,000	15,850,617
Tucker	464,010,271	23,200,514	-	23,200,514
Tyler	343,494,848	17,174,742	-	17,174,742
Upshur	804,773,560	40,238,678	-	40,238,678
Wayne	1,041,320,237	52,066,012	-	52,066,012
Webster	281,404,549	14,070,227	-	14,070,227
Wetzel	586,766,682	29,338,334	-	29,338,334
Wirt	118,833,815	5,941,691	-	5,941,691
Wood	3,058,073,647	152,903,682	30,030,000	122,873,682
Wyoming	862,065,451	43,103,273	4,175,000	38,928,273
<b>Total</b>	<b>\$ 71,023,910,813</b>	<b>\$ 3,551,195,540</b>	<b>\$ 272,322,300</b>	<b>\$ 3,278,873,240</b>

OSF3  
03/13/09  
Bonding Potential 09

**FINAL COMPUTATIONS - (HB 4588 WITH 20% PHASE-IN)  
PUBLIC SCHOOL SUPPORT PROGRAM  
FOR THE 2008-09 YEAR**

County	Step 1a Basic Allowance Professional Educators (WVC 18-9A-4)	Step 1b Salary Increment For Principals & Assistant Principals (WVC 18-9A-4)	Step 1 Basic Allowance Professional Educators (WVC 18-9A-4)	Step 1 Equity Allowance Professional Educators (WVC 18-9A-4)	Step 1 Total Allowance Professional Educators (WVC 18-9A-4)
Barbour	7,566,674	23,161	7,589,835	730,724	8,320,559
Berkeley	46,292,238	181,721	46,473,959	1,819,486	48,293,446
Boone	13,454,162	72,258	13,526,420	379,328	13,905,748
Braxton	6,917,636	39,319	6,956,955	668,729	7,625,684
Brooke	10,679,581	46,725	10,726,306	394,632	11,120,938
Cabell	35,614,731	131,859	35,746,590	1,816,762	37,563,352
Calhoun	3,609,416	17,770	3,627,186	337,911	3,965,097
Clay	6,156,335	14,181	6,170,516	542,781	6,716,661
Doddridge	3,692,331	16,419	3,708,750	215,323	3,924,073
Fayette	19,836,348	111,206	19,947,554	1,094,774	21,042,329
Gilmer	2,588,502	20,989	2,609,491	243,660	2,853,151
Grant	5,935,597	24,937	5,960,534	564,796	6,528,795
Greenbrier	15,648,780	60,047	15,708,827	1,124,644	16,833,471
Hampshire	10,385,872	48,104	10,433,976	987,130	11,421,106
Hancock	13,175,511	55,842	13,231,353	46,869	13,278,221
Hardy	6,583,452	24,928	6,608,380	633,726	7,242,106
Harrison	34,231,394	134,503	34,365,897	1,312,046	35,677,943
Jackson	15,175,459	67,512	15,242,971	572,426	15,815,397
Jefferson	22,134,046	73,471	22,207,517	946,946	23,154,464
Kanawha	84,357,737	376,742	84,734,479	2,071,140	86,805,619
Lewis	8,126,346	33,102	8,159,448	628,693	8,788,141
Lincoln	10,681,536	46,633	10,728,169	817,336	11,542,338
Logan	18,130,837	80,784	18,211,621	1,078,345	19,289,965
Marion	23,684,334	94,304	23,778,638	796,580	24,575,218
Marshall	15,331,894	65,220	15,397,114	1,012	15,398,126
Mason	12,924,480	56,116	12,980,596	589,780	13,600,511
McDowell	11,393,298	62,688	11,455,986	732,089	12,188,075
Mercer	27,664,134	117,156	27,781,290	1,656,732	29,438,021
Mineral	13,774,388	60,048	13,834,436	842,228	14,676,664
Mingo	13,416,502	74,116	13,490,618	837,873	14,328,491
Monongalia	29,739,497	105,347	29,844,844	1,251,908	31,096,752
Monroe	5,525,766	19,839	5,545,605	526,708	6,072,313
Morgan	6,882,254	37,323	6,919,577	304,450	7,224,027
Nicholas	12,579,436	56,082	12,635,518	913,417	13,548,936
Ohio	15,842,327	64,933	15,907,260	156,518	16,063,779
Pendleton	3,708,938	13,607	3,722,545	361,436	4,083,981
Pleasants	4,509,512	23,569	4,533,081	34,800	4,567,881
Pocahontas	3,670,712	17,505	3,688,217	352,410	4,040,627
Preston	13,784,360	54,921	13,839,281	1,332,100	15,171,380
Putnam	27,444,832	101,252	27,546,084	213,965	27,760,049
Raleigh	34,692,944	143,529	34,836,473	1,650,990	36,487,463
Randolph	13,775,094	59,931	13,835,025	1,339,924	15,174,949
Ritchie	4,716,211	28,882	4,745,093	464,816	5,208,470
Roane	7,316,396	24,309	7,340,705	680,063	8,029,836
Summers	4,551,508	18,428	4,569,936	437,475	5,007,411
Taylor	7,337,770	22,462	7,360,232	597,124	7,957,356
Tucker	3,383,701	14,272	3,397,973	325,305	3,723,277
Tyler	4,802,907	18,007	4,820,914	312,731	5,143,639
Upshur	12,017,694	50,586	12,068,280	1,162,760	13,231,041
Wayne	22,019,658	99,688	22,119,346	1,350,175	23,469,522
Webster	4,589,140	21,437	4,610,577	441,352	5,051,928
Wetzel	9,300,347	40,144	9,340,491	518,222	9,878,753
Wirt	2,771,194	11,033	2,782,227	174,503	2,956,729
Wood	39,975,795	150,712	40,126,507	1,553,720	41,680,227
Wyoming	12,858,003	63,787	12,921,790	776,007	13,705,386
<b>State</b>	<b>826,959,547</b>	<b>3,493,446</b>	<b>830,452,993</b>	<b>41,717,382</b>	<b>872,249,424</b>

**FINAL COMPUTATIONS - (HB 4588 WITH 20% PHASE-IN)  
PUBLIC SCHOOL SUPPORT PROGRAM  
FOR THE 2008-09 YEAR**

County	Step 2 Basic Allowance Service Personnel (WVC 18-9A-5)	Step 2 Equity Allowance Service Personnel (WVC 18-9A-5)	Step 2 Total Allowance Service Personnel (WVC 18-9A-5)
Barbour	2,551,205	130,801	2,682,006
Berkeley	15,238,294	284,116	15,522,410
Boone	4,471,556	67,301	4,538,857
Braxton	2,242,763	119,100	2,361,863
Brooke	3,433,059	138,378	3,571,437
Cabell	12,021,544	352,290	12,373,834
Calhoun	1,211,481	57,247	1,268,728
Clay	1,969,457	105,371	2,074,828
Doddridge	1,222,047	14,710	1,236,757
Fayette	6,669,070	76,641	6,745,711
Gilmer	941,460	48,748	990,208
Grant	1,967,946	104,538	2,072,484
Greenbrier	5,033,268	169,450	5,202,718
Hampshire	3,503,710	190,884	3,694,594
Hancock	4,177,042	3,085	4,180,127
Hardy	2,171,908	120,057	2,291,965
Harrison	10,819,470	-	10,819,470
Jackson	5,123,347	95,770	5,219,117
Jefferson	7,493,183	326,880	7,820,063
Kanawha	26,957,891	909,079	27,866,970
Lewis	2,628,136	90,339	2,718,475
Lincoln	3,522,674	142,723	3,665,397
Logan	6,241,530	290,527	6,532,057
Marion	7,529,199	-	7,529,199
Marshall	4,552,888	7,504	4,560,392
Mason	4,292,619	141,967	4,434,586
McDowell	3,872,231	51,040	3,923,271
Mercer	9,259,927	229,445	9,489,372
Mineral	4,402,903	208,495	4,611,398
Mingo	4,414,521	173,965	4,588,486
Monongalia	9,693,930	319,234	10,013,164
Monroe	1,892,849	102,429	1,995,278
Morgan	2,560,628	77,438	2,638,066
Nicholas	3,980,112	185,404	4,165,516
Ohio	5,127,282	99,811	5,227,093
Pendleton	1,169,078	60,697	1,229,775
Pleasants	1,403,137	-	1,403,137
Pocahontas	1,308,117	63,982	1,372,099
Preston	4,446,029	236,248	4,682,277
Putnam	8,590,652	-	8,590,652
Raleigh	11,523,978	211,015	11,734,993
Randolph	4,321,154	229,528	4,550,682
Ritchie	1,515,799	81,518	1,597,317
Roane	2,415,986	130,607	2,546,593
Summers	1,540,834	80,857	1,621,692
Taylor	2,368,010	101,819	2,469,829
Tucker	1,210,712	61,322	1,272,034
Tyler	1,443,208	44,108	1,487,316
Upshur	3,799,839	201,934	4,001,773
Wayne	7,083,015	185,093	7,268,109
Webster	1,621,851	82,654	1,704,505
Wetzel	2,867,944	104,842	2,972,786
Wirt	984,921	6,785	991,706
Wood	13,040,953	520,287	13,561,240
Wyoming	4,139,852	178,602	4,318,454
<b>State</b>	<b>269,986,201</b>	<b>8,016,665</b>	<b>278,002,866</b>

**FINAL COMPUTATIONS - (HB 4588 WITH 20% PHASE-IN)  
PUBLIC SCHOOL SUPPORT PROGRAM  
FOR THE 2008-09 YEAR**

County	Step 3 Allowance for Fixed Charges 9.00% (WVC 18-9A-6)	Step 4 Allowance for Transportation Excluding Allowance For Buses (WVC 18-9A-7)	Step 4 Allowance for Bus Replacement (WVC 18-9A-7)	Step 4 Allowance for Additional Buses (WVC 18-9A-7)	Step 4 Total Allowance for Transportation (WVC 18-9A-7)
Barbour	996,669	505,300	198,151	76,784	780,235
Berkeley	5,786,781	3,111,850	986,075	778,872	4,876,797
Boone	1,667,914	795,283	296,193	-	1,091,476
Braxton	903,208	390,242	208,054	-	598,296
Brooke	1,329,177	745,601	210,216	-	955,817
Cabell	4,520,123	1,541,090	685,016	82,712	2,308,818
Calhoun	473,780	303,613	123,812	82,300	509,725
Clay	790,931	633,940	219,971	-	853,911
Doddridge	466,933	284,898	124,163	-	409,061
Fayette	2,516,251	1,139,753	491,509	76,784	1,708,046
Gilmer	348,625	178,106	85,512	-	263,618
Grant	773,803	254,719	158,432	-	413,151
Greenbrier	1,998,692	570,494	452,947	-	1,023,441
Hampshire	1,368,604	577,348	355,919	-	933,267
Hancock	1,579,451	710,145	250,920	-	961,065
Hardy	862,823	372,962	195,890	76,784	645,636
Harrison	4,209,510	898,505	630,770	-	1,529,275
Jackson	1,905,991	627,295	345,858	-	973,153
Jefferson	2,806,484	1,325,428	523,362	404,932	2,253,722
Kanawha	10,413,981	3,151,498	1,111,692	300,818	4,564,008
Lewis	1,041,364	393,508	226,588	-	620,096
Lincoln	1,368,981	698,178	306,449	-	1,004,627
Logan	2,335,390	1,097,339	416,885	74,215	1,588,439
Marion	2,906,306	1,234,438	519,962	-	1,754,400
Marshall	1,809,612	754,507	412,090	-	1,166,597
Mason	1,620,447	621,404	370,291	76,784	1,068,479
McDowell	1,459,447	837,815	344,525	-	1,182,340
Mercer	3,523,311	1,099,207	511,385	157,095	1,767,687
Mineral	1,748,988	897,265	384,645	-	1,281,910
Mingo	1,711,079	725,240	339,117	-	1,064,357
Monongalia	3,724,034	1,790,306	659,748	147,250	2,597,304
Monroe	730,517	275,367	234,756	-	510,123
Morgan	891,936	419,861	190,010	76,784	686,655
Nicholas	1,603,634	970,601	365,182	76,784	1,412,567
Ohio	1,928,199	652,581	236,306	-	888,887
Pendleton	480,403	260,401	123,723	-	384,124
Pleasants	540,145	193,349	103,109	76,784	373,242
Pocahontas	490,758	289,228	138,813	-	428,041
Preston	1,796,335	741,730	401,586	-	1,143,316
Putnam	3,292,206	1,247,529	518,252	254,771	2,020,552
Raleigh	4,370,881	2,111,877	751,056	241,572	3,104,505
Randolph	1,788,594	663,196	317,891	-	981,087
Ritchie	612,650	312,916	136,878	-	449,794
Roane	951,062	471,578	276,081	-	747,659
Summers	601,784	198,163	153,541	-	351,704
Taylor	944,319	274,628	204,613	-	479,241
Tucker	451,842	255,317	98,949	-	354,266
Tyler	595,886	368,749	167,842	-	536,591
Upshur	1,560,571	723,737	306,747	76,784	1,107,268
Wayne	2,779,284	1,575,405	545,216	-	2,120,621
Webster	611,421	431,769	129,800	-	561,569
Wetzel	1,154,835	476,393	187,871	-	664,264
Wirt	358,451	151,316	86,660	-	237,976
Wood	5,004,820	1,702,503	601,167	-	2,303,670
Wyoming	1,621,464	564,070	288,079	76,784	928,933
<b>State</b>	<b>104,130,683</b>	<b>43,599,539</b>	<b>18,710,275</b>	<b>3,215,593</b>	<b>65,525,407</b>

**FINAL COMPUTATIONS - (HB 4588 WITH 20% PHASE-IN)  
PUBLIC SCHOOL SUPPORT PROGRAM  
FOR THE 2008-09 YEAR**

County	Step 5 Basic Allowance for Professional Student Support Personnel (WVC 18-9A-8)	Step 5 Equity Allowance for Professional Student Support Personnel (WVC 18-9A-8)	Step 5 Total Allowance for Professional Student Support Personnel (WVC 18-9A-8)
Barbour	110,997	5,378	116,376
Berkeley	506,683	19,869	526,553
Boone	130,779	1,837	132,616
Braxton	89,670	3,267	92,937
Brooke	119,004	2,103	121,108
Cabell	318,037	13,207	331,244
Calhoun	73,567	1,677	75,245
Clay	56,057	-	56,057
Doddridge	71,487	668	72,155
Fayette	206,746	8,412	215,158
Gilmer	73,403	1,693	75,096
Grant	56,057	-	56,057
Greenbrier	205,568	10,781	216,349
Hampshire	128,887	6,969	135,856
Hancock	135,873	77	135,950
Hardy	94,059	3,643	97,703
Harrison	310,302	9,463	319,766
Jackson	183,574	4,432	188,006
Jefferson	244,932	8,537	253,469
Kanawha	1,057,043	26,117	1,083,160
Lewis	105,212	3,724	108,937
Lincoln	56,057	-	56,057
Logan	165,941	5,655	171,596
Marion	227,110	5,605	232,716
Marshall	193,121	-	193,121
Mason	56,057	-	56,057
McDowell	143,981	5,596	149,577
Mercer	254,733	10,619	265,351
Mineral	181,819	8,170	189,989
Mingo	135,101	4,750	139,850
Monongalia	302,182	10,906	313,088
Monroe	90,848	3,261	94,109
Morgan	91,714	1,445	93,159
Nicholas	142,321	6,227	148,548
Ohio	177,590	822	178,412
Pendleton	67,771	1,121	68,892
Pleasants	75,419	23	75,442
Pocahontas	82,480	2,514	84,994
Preston	142,077	8,388	150,465
Putnam	273,145	1,056	274,202
Raleigh	370,416	17,320	387,736
Randolph	180,249	12,228	192,476
Ritchie	56,057	-	56,057
Roane	56,057	-	56,057
Summers	98,148	4,083	102,231
Taylor	106,090	4,009	110,099
Tucker	68,843	1,155	69,998
Tyler	56,057	-	56,057
Upshur	143,294	8,408	151,702
Wayne	180,843	7,305	188,147
Webster	79,810	2,172	81,983
Wetzel	56,057	-	56,057
Wirt	77,716	1,481	79,197
Wood	398,933	13,552	412,485
Wyoming	56,057	-	56,057
<b>State</b>	<b>9,122,033</b>	<b>279,726</b>	<b>9,401,759</b>

**FINAL COMPUTATIONS - (HB 4588 WITH 20% PHASE-IN)  
PUBLIC SCHOOL SUPPORT PROGRAM  
FOR THE 2008-09 YEAR**

County	Step 6a	Step 6b	Step 6c	Step 6d	Step 6
	Allowance for Other Current Expense (WVC 18-9A-9(1))	Allowance for Prof. Personnel Substitute Costs (WVC 18-9A-9(2))	Allowance for Service Personnel Substitute Costs (WVC 18-9A-9(3))	Allowance for Faculty Senates (WVC 18-9A-9(4))	Total Allowance Current Expense, Substitute Costs, & Faculty Senates (WVC 18-9A-9)
Barbour	1,039,187	199,647	63,533	35,656	1,338,022
Berkeley	6,746,715	1,323,605	415,143	245,760	8,731,224
Boone	1,901,065	364,276	115,670	70,684	2,451,696
Braxton	942,425	181,677	57,849	34,400	1,216,351
Brooke	1,440,370	276,421	85,883	51,734	1,854,408
Cabell	5,070,802	949,940	301,954	180,690	6,503,386
Calhoun	466,666	96,891	30,454	16,900	610,910
Clay	814,939	160,843	51,180	28,860	1,055,822
Doddridge	507,777	97,603	30,861	18,600	654,842
Fayette	2,773,914	520,001	171,239	97,200	3,562,354
Gilmer	395,665	69,245	23,591	13,300	501,801
Grant	827,405	163,001	50,776	30,200	1,071,382
Greenbrier	2,162,650	412,587	130,552	76,740	2,782,529
Hampshire	1,523,423	291,649	92,716	54,170	1,961,957
Hancock	1,760,173	339,111	105,401	61,300	2,265,985
Hardy	945,110	174,671	58,314	31,270	1,209,364
Harrison	4,550,416	892,925	276,675	160,900	5,880,915
Jackson	2,041,758	402,413	127,368	73,734	2,645,273
Jefferson	3,357,406	633,185	202,274	112,452	4,305,317
Kanawha	11,821,363	2,214,457	688,354	403,620	15,127,794
Lewis	1,094,617	211,025	67,282	39,420	1,412,344
Lincoln	1,387,913	278,799	88,579	53,300	1,808,591
Logan	2,584,444	486,645	158,323	88,834	3,318,246
Marion	3,398,226	628,562	198,371	128,740	4,353,899
Marshall	2,062,141	391,735	121,717	76,000	2,651,592
Mason	1,756,483	344,261	109,377	60,832	2,270,953
McDowell	1,559,606	296,856	95,033	55,000	2,006,496
Mercer	3,831,991	723,479	233,022	129,640	4,918,133
Mineral	1,887,873	360,931	112,119	64,874	2,425,797
Mingo	1,845,962	355,480	114,320	65,570	2,381,333
Monongalia	4,180,336	793,807	251,439	143,530	5,369,112
Monroe	799,520	149,593	49,112	27,800	1,026,024
Morgan	1,101,458	206,854	66,770	36,504	1,411,586
Nicholas	1,685,640	326,537	103,562	59,150	2,174,888
Ohio	2,185,562	418,145	129,791	75,280	2,808,778
Pendleton	475,297	94,909	29,482	17,088	616,776
Pleasants	554,376	115,428	35,588	22,650	728,043
Pocahontas	501,906	99,545	31,077	19,346	651,874
Preston	1,863,947	361,441	114,750	65,776	2,405,914
Putnam	3,744,940	727,983	225,903	131,500	4,830,325
Raleigh	4,861,857	926,295	294,670	169,660	6,252,482
Randolph	1,790,699	350,880	111,485	61,900	2,314,965
Ritchie	649,081	123,164	39,594	23,760	835,599
Roane	1,037,870	194,727	62,791	35,040	1,330,428
Summers	637,678	122,113	39,274	22,294	821,359
Taylor	1,010,847	185,670	59,436	33,276	1,289,229
Tucker	477,087	90,594	29,785	15,786	613,253
Tyler	635,872	121,921	37,581	22,904	818,278
Upshur	1,566,557	311,823	98,083	55,946	2,032,410
Wayne	3,104,545	603,321	187,980	108,240	4,004,085
Webster	638,545	122,793	40,146	22,650	824,134
Wetzel	1,233,291	232,831	73,897	44,260	1,584,279
Wirt	413,691	76,980	25,264	14,500	530,435
Wood	5,514,667	1,045,389	329,667	188,600	7,078,323
Wyoming	1,819,138	330,521	105,012	62,450	2,317,121
<b>State</b>	<b>114,982,891</b>	<b>21,975,186</b>	<b>6,950,070</b>	<b>4,040,270</b>	<b>147,948,417</b>

**FINAL COMPUTATIONS - (HB 4588 WITH 20% PHASE-IN)  
PUBLIC SCHOOL SUPPORT PROGRAM  
FOR THE 2008-09 YEAR**

County	Step 7a Allowance for Improvement of Instructional Programs (WVC 18-9A-10(1))	Step 7b Allowance for 21st Century Technology Systems (WVC 18-9A-10(2))	Step 7c Allowance For Advanced Placement Programs (WVC 18-9A-10(3))	Step 7 Total Allow for Improvement of Instructional Programs (WVC 18-9A-10)
Barbour	390,553	17,248	1,002	408,803
Berkeley	1,711,743	114,280	8,862	1,834,885
Boone	590,062	31,190	2,048	623,300
Braxton	368,154	15,559	1,346	385,059
Brooke	483,420	23,753	1,005	508,178
Cabell	1,323,800	83,731	10,596	1,418,127
Calhoun	261,634	8,430	-	270,064
Clay	338,345	13,801	-	352,146
Doddridge	271,390	8,967	658	281,015
Fayette	792,111	46,367	3,792	842,270
Gilmer	246,932	7,364	187	254,483
Grant	341,226	13,477	-	354,703
Greenbrier	650,615	35,203	1,321	687,139
Hampshire	502,645	25,001	1,598	529,244
Hancock	557,448	29,152	1,750	588,350
Hardy	368,776	15,867	1,316	385,959
Harrison	1,203,340	76,274	6,154	1,285,768
Jackson	622,630	34,156	3,062	659,848
Jefferson	927,179	56,263	1,803	985,245
Kanawha	2,886,433	190,383	17,777	3,094,593
Lewis	403,384	18,321	1,080	422,785
Lincoln	470,769	23,885	-	494,654
Logan	748,252	43,678	1,804	793,734
Marion	936,628	54,865	6,602	998,095
Marshall	627,349	33,579	4,049	664,977
Mason	555,951	29,494	-	585,445
McDowell	511,021	25,626	1,088	537,735
Mercer	1,037,037	64,449	5,021	1,106,507
Mineral	587,009	30,931	4,389	622,329
Mingo	577,307	30,904	2,596	610,807
Monongalia	1,125,503	69,542	8,781	1,203,826
Monroe	335,074	13,381	1,929	350,384
Morgan	404,968	18,464	790	424,222
Nicholas	540,195	27,925	1,087	569,207
Ohio	655,918	35,897	4,415	696,230
Pendleton	269,159	9,274	398	278,831
Pleasants	279,803	9,451	383	289,637
Pocahontas	274,381	9,510	395	284,286
Preston	581,470	30,942	2,974	615,386
Putnam	1,016,886	62,480	6,088	1,085,454
Raleigh	1,275,433	82,145	7,142	1,364,720
Randolph	564,515	29,985	2,985	597,485
Ritchie	300,013	10,855	-	310,868
Roane	389,868	17,206	-	407,074
Summers	297,611	10,563	168	308,342
Taylor	383,993	16,516	662	401,171
Tucker	265,837	8,769	578	275,184
Tyler	296,960	10,221	-	307,181
Upshur	512,630	26,220	2,865	541,715
Wayne	868,646	51,859	3,128	923,633
Webster	297,812	10,798	600	309,210
Wetzel	435,033	20,038	-	455,071
Wirt	249,255	7,355	707	257,317
Wood	1,426,546	91,179	9,292	1,527,017
Wyoming	570,435	28,314	-	598,749
<b>State</b>	<b>34,911,087</b>	<b>1,911,087</b>	<b>146,274</b>	<b>36,968,448</b>



**FINAL COMPUTATIONS - (HB 4588 WITH 20% PHASE-IN)  
PUBLIC SCHOOL SUPPORT PROGRAM  
FOR THE 2008-09 YEAR**

County	Step 8 Total Basic Program Allowance (WVC 18-9A-12)	Step 9 Local Share (WVC 18-9A-11)	Step 10 Basic State Aid Allowance for County Boards (WVC 18-9A-12)
Barbour	14,642,670	1,833,860	12,808,810
Berkeley	85,572,096	22,336,514	63,235,582
Boone	24,411,607	8,896,189	15,515,418
Braxton	13,183,397	2,554,233	10,629,164
Brooke	19,461,063	4,091,318	15,369,745
Cabell	65,018,883	14,890,326	50,128,557
Calhoun	7,173,549	1,165,665	6,007,884
Clay	11,900,356	1,767,678	10,132,678
Doddridge	7,044,835	2,141,164	4,903,671
Fayette	36,632,118	5,891,781	30,740,337
Gilmer	5,286,981	1,811,114	3,475,867
Grant	11,270,375	3,971,423	7,298,952
Greenbrier	28,744,340	6,266,955	22,477,385
Hampshire	20,044,628	6,234,851	13,809,777
Hancock	22,989,148	4,855,315	18,133,833
Hardy	12,735,557	3,635,221	9,100,336
Harrison	59,722,646	14,775,551	44,947,095
Jackson	27,406,785	6,008,534	21,398,251
Jefferson	41,578,764	17,055,957	24,522,807
Kanawha	148,956,125	42,139,922	106,816,203
Lewis	15,112,141	4,839,122	10,273,019
Lincoln	19,940,645	2,495,470	17,445,175
Logan	34,029,428	7,641,618	26,387,810
Marion	42,349,833	9,615,988	32,733,845
Marshall	26,444,417	8,330,645	18,113,772
Mason	23,636,478	5,874,972	17,761,506
McDowell	21,446,941	5,144,901	16,302,040
Mercer	50,508,382	7,527,656	42,980,726
Mineral	25,557,074	3,640,981	21,916,093
Mingo	24,824,403	6,117,507	18,706,896
Monongalia	54,317,281	17,739,000	36,578,281
Monroe	10,778,748	1,227,953	9,550,795
Morgan	13,369,650	3,960,233	9,409,417
Nicholas	23,623,295	4,321,766	19,301,529
Ohio	27,791,377	6,641,322	21,150,055
Pendleton	7,142,782	1,592,636	5,550,146
Pleasants	7,977,527	3,330,001	4,647,526
Pocahontas	7,352,680	3,700,351	3,652,329
Preston	25,965,073	5,493,931	20,471,142
Putnam	47,853,440	11,440,222	36,413,218
Raleigh	63,702,781	12,569,743	51,133,038
Randolph	25,600,238	4,746,376	20,853,862
Ritchie	9,070,755	2,184,956	6,885,799
Roane	14,068,709	1,874,219	12,194,490
Summers	8,814,523	1,719,767	7,094,756
Taylor	13,651,243	2,396,135	11,255,108
Tucker	6,759,853	2,555,076	4,204,777
Tyler	8,944,948	1,839,515	7,105,433
Upshur	22,626,480	4,129,560	18,496,920
Wayne	40,753,401	5,570,089	35,183,312
Webster	9,144,751	1,681,756	7,462,995
Wetzel	16,766,045	3,204,766	13,561,279
Wirt	5,411,811	555,239	4,856,572
Wood	71,567,783	14,934,209	56,633,574
Wyoming	23,546,164	5,327,953	18,218,211
<b>State</b>	<b>1,514,227,003</b>	<b>358,289,205</b>	<b>1,155,937,798</b>

**FINAL COMPUTATIONS - (HB 4588 WITH 20% PHASE-IN)  
PUBLIC SCHOOL SUPPORT PROGRAM  
ENROLLMENT INFORMATION  
FOR THE 2008-09 YEAR**

County	2007-08 2nd Month Headcount Enrollment	FTE Adjust- ments	FTE Enrollment (FTE Basis)	Certified Adults	Net Enr Prior To < 1,400 Adjustment	Adjustments For Net Enrollments < 1,400	Net Enrollment With Total Adjustments
Barbour	2,552	(13.40)	2,538.60	0.50	2,539.10	-	2,539.10
Berkeley	16,868	(48.39)	16,819.61	3.75	16,823.36	-	16,823.36
Boone	4,601	(9.40)	4,591.60	-	4,591.60	-	4,591.60
Braxton	2,291	(0.88)	2,290.13	0.33	2,290.46	-	2,290.46
Brooke	3,521	(24.20)	3,496.80	-	3,496.80	-	3,496.80
Cabell	12,386	(59.76)	12,326.24	-	12,326.24	-	12,326.24
Calhoun	1,151	(13.52)	1,137.48	9.93	1,147.41	93.53	1,240.94
Clay	2,037	(5.35)	2,031.65	-	2,031.65	-	2,031.65
Doddridge	1,234	(16.30)	1,217.70	2.55	1,220.25	99.74	1,319.99
Fayette	6,825	(5.70)	6,819.30	6.50	6,825.80	-	6,825.80
Gilmer	942	-	942.00	3.56	945.56	138.45	1,084.01
Grant	1,999	(18.50)	1,980.50	3.55	1,984.05	-	1,984.05
Greenbrier	5,227	(44.65)	5,182.35	-	5,182.35	-	5,182.35
Hampshire	3,747	(66.60)	3,680.40	-	3,680.40	-	3,680.40
Hancock	4,305	(18.45)	4,286.55	4.92	4,291.47	-	4,291.47
Hardy	2,360	(26.31)	2,333.69	2.12	2,335.81	-	2,335.81
Harrison	11,235	(42.70)	11,192.30	36.16	11,228.46	-	11,228.46
Jackson	5,061	(36.54)	5,024.46	3.75	5,028.21	-	5,028.21
Jefferson	8,299	(16.36)	8,282.64	-	8,282.64	-	8,282.64
Kanawha	28,350	(323.22)	28,026.78	-	28,026.78	-	28,026.78
Lewis	2,704	(7.99)	2,696.01	1.00	2,697.01	-	2,697.01
Lincoln	3,523	(8.55)	3,514.45	1.75	3,516.20	-	3,516.20
Logan	6,432	(7.95)	6,424.05	5.82	6,429.87	-	6,429.87
Marion	8,116	(53.74)	8,062.26	14.55	8,076.81	-	8,076.81
Marshall	4,990	(46.82)	4,943.19	-	4,943.19	-	4,943.19
Mason	4,400	(66.30)	4,333.70	8.15	4,341.85	-	4,341.85
McDowell	3,778	(6.10)	3,771.90	0.50	3,772.40	-	3,772.40
Mercer	9,484	(11.90)	9,472.10	15.55	9,487.65	-	9,487.65
Mineral	4,557	(9.11)	4,547.89	5.50	4,553.39	-	4,553.39
Mingo	4,640	(90.50)	4,549.50	-	4,549.50	-	4,549.50
Monongalia	10,221	(10.78)	10,210.22	27.25	10,237.47	-	10,237.47
Monroe	1,988	(18.15)	1,969.85	-	1,969.85	-	1,969.85
Morgan	2,719	(0.85)	2,718.15	-	2,718.15	-	2,718.15
Nicholas	4,114	(6.30)	4,107.70	3.25	4,110.95	-	4,110.95
Ohio	5,309	(24.46)	5,284.54	-	5,284.54	-	5,284.54
Pendleton	1,132	(3.50)	1,128.50	-	1,128.50	236.76	1,365.26
Pleasants	1,352	(0.45)	1,351.55	1.50	1,353.05	38.22	1,391.27
Pocahontas	1,205	(17.48)	1,187.53	-	1,187.53	212.48	1,400.00
Preston	4,584	(29.20)	4,554.80	0.25	4,555.05	-	4,555.05
Putnam	9,201	(42.75)	9,158.25	39.55	9,197.80	-	9,197.80
Raleigh	12,153	(75.00)	12,078.00	14.73	12,092.73	-	12,092.73
Randolph	4,414	(2.42)	4,411.58	2.55	4,414.13	-	4,414.13
Ritchie	1,597	(0.95)	1,596.05	2.00	1,598.05	-	1,598.05
Roane	2,574	(43.55)	2,530.45	2.55	2,533.00	-	2,533.00
Summers	1,567	(12.02)	1,554.98	-	1,554.98	-	1,554.98
Taylor	2,464	(35.40)	2,428.60	2.75	2,431.35	-	2,431.35
Tucker	1,155	(3.99)	1,151.01	-	1,151.01	139.94	1,290.95
Tyler	1,518	(16.35)	1,501.65	2.96	1,504.61	-	1,504.61
Upshur	3,881	(24.65)	3,856.35	3.50	3,859.85	-	3,859.85
Wayne	7,715	(80.74)	7,634.26	-	7,634.26	-	7,634.26
Webster	1,615	(25.44)	1,589.56	-	1,589.56	-	1,589.56
Wetzel	3,005	(57.88)	2,947.12	2.69	2,949.81	-	2,949.81
Wirt	997	(4.84)	992.16	-	992.16	90.53	1,082.69
Wood	13,519	(96.39)	13,422.61	-	13,422.61	-	13,422.61
Wyoming	4,142	(8.99)	4,133.01	35.55	4,168.56	-	4,168.56
<b>State</b>	<b>281,756</b>	<b>(1,741.70)</b>	<b>280,014.30</b>	<b>271.52</b>	<b>280,285.82</b>	<b>1,049.65</b>	<b>281,335.47</b>

OSF  
03/24/08  
COMPS09 Final

**FINAL COMPUTATIONS - (HB 4588 WITH 20% PHASE-IN)  
PUBLIC SCHOOL SUPPORT PROGRAM  
PROFESSIONAL EDUCATORS DATA  
FOR THE 2008-09 YEAR**

County	Computed State Aid Eligible PE Employed	Student Population Density	Computed No. PE Employed In Excess Of Limits	Computed Number PE Funded/Limits (Not Limited To Employed)	Proration Multi-County Vocational Centers	Computed No. Prof. Educators Chargeable
Barbour	186.44	Low	(0.07)	186.37	1.93	188.30
Berkeley	1,291.30	High	(57.26)	1,234.04	(10.50)	1,223.54
Boone	376.71	Low	(36.20)	340.51	-	340.51
Braxton	185.99	Sparse	(16.06)	169.93	-	169.93
Brooke	276.74	High	(18.47)	258.27	-	258.27
Cabell	948.55	High	(59.72)	888.83	-	888.83
Calhoun	90.40	Sparse	0.11	90.51	(6.10)	84.41
Clay	152.30	Low	(0.97)	151.33	-	151.33
Doddridge	99.10	Sparse	(8.05)	91.05	2.23	93.28
Fayette	523.40	Medium	(38.03)	485.37	-	485.37
Gilmer	72.90	Sparse	(8.37)	64.53	6.10	70.63
Grant	161.00	Sparse	(7.64)	153.36	(4.31)	149.05
Greenbrier	403.99	Low	(19.67)	384.32	-	384.32
Hampshire	289.40	Low	(17.08)	272.32	-	272.32
Hancock	333.96	High	(16.99)	316.97	-	316.97
Hardy	166.50	Sparse	(3.39)	163.11	3.07	166.18
Harrison	852.65	High	(19.02)	833.63	(4.30)	829.33
Jackson	392.57	Medium	(17.47)	375.10	(5.75)	369.35
Jefferson	624.06	High	(33.41)	590.65	6.20	596.85
Kanawha	2,128.23	High	(68.20)	2,060.03	-	2,060.03
Lewis	212.00	Low	(14.95)	197.05	2.96	200.01
Lincoln	285.95	Low	(23.64)	262.31	-	262.31
Logan	470.42	Medium	(15.90)	454.52	-	454.52
Marion	676.45	High	(89.49)	586.96	-	586.96
Marshall	401.90	Medium	(36.65)	365.25	-	365.25
Mason	326.29	Low	(2.39)	323.90	-	323.90
McDowell	294.50	Low	(17.60)	276.90	-	276.90
Mercer	687.56	High	(12.34)	675.22	-	675.22
Mineral	345.75	Medium	(9.30)	336.45	-	336.45
Mingo	353.10	Medium	(20.78)	332.32	-	332.32
Monongalia	757.50	High	(16.82)	740.68	-	740.68
Monroe	146.94	Sparse	(3.96)	142.98	-	142.98
Morgan	203.17	Medium	(13.30)	189.87	4.30	194.17
Nicholas	312.35	Low	(7.48)	304.87	-	304.87
Ohio	402.72	High	(12.40)	390.32	-	390.32
Pendleton	91.44	Sparse	(2.69)	88.75	1.24	89.99
Pleasants	123.20	Medium	(15.31)	107.89	(7.03)	100.86
Pocahontas	102.76	Sparse	(10.02)	92.74	-	92.74
Preston	344.03	Low	(6.22)	337.81	-	337.81
Putnam	690.54	High	(11.36)	679.18	-	679.18
Raleigh	902.10	Medium	(37.78)	864.32	-	864.32
Randolph	329.53	Sparse	(2.42)	327.11	-	327.11
Ritchie	129.70	Sparse	(13.82)	115.88	3.33	119.21
Roane	190.20	Low	(6.99)	183.21	5.75	188.96
Summers	116.73	Sparse	(3.05)	113.68	-	113.68
Taylor	173.98	Medium	(0.73)	173.25	2.07	175.32
Tucker	84.84	Sparse	(0.28)	84.56	-	84.56
Tyler	122.19	Low	(7.48)	114.71	1.62	116.33
Upshur	296.93	Medium	(5.91)	291.02	(4.89)	286.13
Wayne	573.20	Medium	(9.10)	564.10	-	564.10
Webster	121.50	Sparse	(6.95)	114.55	-	114.55
Wetzel	236.30	Low	(17.24)	219.06	2.08	221.14
Wirt	76.05	Sparse	(4.37)	71.68	-	71.68
Wood	998.60	High	(23.45)	975.15	-	975.15
Wyoming	335.95	Low	(24.98)	310.97	-	310.97
<b>State</b>	<b>21,472.56</b>	<b>-</b>	<b>(953.11)</b>	<b>20,519.45</b>	<b>-</b>	<b>20,519.45</b>

OSF

12/29/08

COMPS09 Final (Restated)

**FINAL COMPUTATIONS - (HB 4588 WITH 20% PHASE-IN)  
PUBLIC SCHOOL SUPPORT PROGRAM  
SERVICE PERSONNEL DATA  
FOR THE 2008-09 YEAR**

County	2007-08 State Aid Eligible SP Employed	Student Population Density	Computed No. SP Employed In Excess Of Limits	Computed Number Serv Pers Funded	Proration Multi-County Vocational Centers	Computed No. Service Personnel Chargeable
Barbour	113.864	Low	(0.124)	113.740	0.773	114.513
Berkeley	849.748	High	(106.530)	743.218	(3.495)	739.723
Boone	235.228	Low	(28.147)	207.081	-	207.081
Braxton	120.048	Sparse	(16.482)	103.566	-	103.566
Brooke	179.837	High	(26.083)	153.754	-	153.754
Cabell	557.523	High	(15.538)	541.985	-	541.985
Calhoun	57.055	Sparse	(2.534)	54.521	(1.785)	52.736
Clay	107.400	Low	(15.773)	91.627	-	91.627
Doddridge	70.073	Sparse	(14.822)	55.251	0.835	56.086
Fayette	340.311	Medium	(33.747)	306.564	-	306.564
Gilmer	48.538	Sparse	(6.303)	42.235	1.785	44.020
Grant	102.550	Sparse	(11.647)	90.903	(1.422)	89.481
Greenbrier	266.975	Low	(33.251)	233.724	-	233.724
Hampshire	193.745	Low	(27.759)	165.986	-	165.986
Hancock	206.825	High	(18.129)	188.696	-	188.696
Hardy	109.825	Sparse	(5.428)	104.397	1.013	105.410
Harrison	507.440	High	(12.118)	495.322	(1.607)	493.715
Jackson	240.427	Medium	(12.403)	228.024	(1.825)	226.199
Jefferson	418.720	High	(56.596)	362.124	2.064	364.188
Kanawha	1,353.065	High	(120.727)	1,232.338	-	1,232.338
Lewis	144.975	Low	(24.523)	120.452	1.183	121.635
Lincoln	179.910	Low	(21.329)	158.581	-	158.581
Logan	306.948	Medium	(23.507)	283.441	-	283.441
Marion	441.475	High	(86.338)	355.137	-	355.137
Marshall	289.545	Medium	(71.639)	217.906	-	217.906
Mason	226.293	Low	(30.476)	195.817	-	195.817
McDowell	231.420	Low	(61.285)	170.135	-	170.135
Mercer	433.138	High	(15.966)	417.172	-	417.172
Mineral	221.516	Medium	(20.793)	200.723	-	200.723
Mingo	248.890	Medium	(44.226)	204.664	-	204.664
Monongalia	489.575	High	(39.433)	450.142	-	450.142
Monroe	106.878	Sparse	(17.809)	89.069	-	89.069
Morgan	123.108	Medium	(4.718)	118.390	1.431	119.821
Nicholas	227.230	Low	(41.826)	185.404	-	185.404
Ohio	246.553	High	(14.192)	232.361	-	232.361
Pendleton	66.195	Sparse	(13.415)	52.780	0.409	53.189
Pleasants	85.175	Medium	(21.462)	63.713	(2.504)	61.209
Pocahontas	78.834	Sparse	(23.198)	55.636	-	55.636
Preston	225.320	Low	(19.887)	205.433	-	205.433
Putnam	424.530	High	(20.103)	404.427	-	404.427
Raleigh	524.800	Medium	2.738	527.538	-	527.538
Randolph	207.455	Sparse	(7.866)	199.589	-	199.589
Ritchie	88.448	Sparse	(17.563)	70.885	1.187	72.072
Roane	132.368	Low	(19.955)	112.413	1.825	114.238
Summers	70.400	Sparse	(0.090)	70.310	-	70.310
Taylor	117.268	Medium	(10.862)	106.406	0.772	107.178
Tucker	57.600	Sparse	(4.277)	53.323	-	53.323
Tyler	82.885	Low	(15.604)	67.281	0.577	67.858
Upshur	185.950	Medium	(10.355)	175.595	(1.956)	173.639
Wayne	401.077	Medium	(64.544)	336.533	-	336.533
Webster	77.480	Sparse	(5.607)	71.873	-	71.873
Wetzel	149.569	Low	(17.273)	132.296	0.740	133.036
Wirt	47.140	Sparse	(1.912)	45.228	-	45.228
Wood	608.098	High	(17.906)	590.192	-	590.192
Wyoming	209.710	Low	(21.708)	188.002	-	188.002
<b>State</b>	<b>13,836.953</b>	<b>-</b>	<b>(1,393.050)</b>	<b>12,443.903</b>	<b>-</b>	<b>12,443.903</b>

OSF  
03/24/08  
COMPS09 Final

**FINAL COMPUTATIONS (HB 4588 WITH 20% PHASE-IN)  
PUBLIC SCHOOL SUPPORT PROGRAM  
PERSONNEL RATIOS PER 1,000 STUDENTS  
FOR THE 2008-09 YEAR**

County	Professional Educators		Service Personnel	
	Computed Chargeable Net Enrollment Ratio/1,000	Computed Actual Net Enrollment Ratio/1,000	Computed Chargeable Net Enrollment Ratio/1,000	Computed Actual Net Enrollment Ratio/1,000
Barbour	71.83	71.07	45.10	44.80
Berkeley	70.03	70.65	43.97	44.18
Boone	72.21	72.21	45.10	45.10
Braxton	72.42	72.42	45.22	45.22
Brooke	71.78	71.78	43.97	43.97
Cabell	69.94	69.94	43.97	43.97
Calhoun	65.89	70.81	42.50	43.94
Clay	72.52	72.52	45.10	45.10
Doddridge	68.30	66.61	42.49	41.86
Fayette	68.82	68.82	44.91	44.91
Gilmer	62.86	57.23	40.61	38.96
Grant	72.59	74.76	45.10	45.82
Greenbrier	71.16	71.16	45.10	45.10
Hampshire	71.71	71.71	45.10	45.10
Hancock	71.90	71.90	43.97	43.97
Hardy	69.02	67.71	45.13	44.69
Harrison	71.53	71.91	43.97	44.11
Jackson	70.65	71.79	44.99	45.35
Jefferson	69.59	68.84	43.97	43.72
Kanawha	70.14	70.14	43.97	43.97
Lewis	71.93	70.83	45.10	44.66
Lincoln	72.37	72.37	45.10	45.10
Logan	68.59	68.59	44.08	44.08
Marion	70.46	70.46	43.97	43.97
Marshall	71.19	71.19	44.08	44.08
Mason	72.73	72.73	45.10	45.10
McDowell	70.85	70.85	45.10	45.10
Mercer	68.84	68.84	43.97	43.97
Mineral	71.12	71.12	44.08	44.08
Mingo	71.15	71.15	44.99	44.99
Monongalia	69.92	69.92	43.97	43.97
Monroe	70.12	70.12	45.22	45.22
Morgan	69.50	67.91	44.08	43.56
Nicholas	71.85	71.85	45.10	45.10
Ohio	71.50	71.50	43.97	43.97
Pendleton	64.31	63.40	38.96	38.66
Pleasants	70.42	75.47	44.00	45.79
Pocahontas	63.59	63.59	39.74	39.74
Preston	72.16	72.16	45.10	45.10
Putnam	71.32	71.32	43.97	43.97
Raleigh	69.08	69.08	43.62	43.62
Randolph	71.35	71.35	45.22	45.22
Ritchie	72.92	70.84	45.10	44.36
Roane	72.30	70.03	45.10	44.38
Summers	69.98	69.98	45.22	45.22
Taylor	69.72	68.87	44.08	43.76
Tucker	63.37	63.37	41.31	41.31
Tyler	74.89	73.81	45.10	44.72
Upshur	71.66	72.93	44.99	45.49
Wayne	72.02	72.02	44.08	44.08
Webster	69.59	69.59	45.22	45.22
Wetzel	72.77	72.06	45.10	44.85
Wirt	63.42	63.42	41.77	41.77
Wood	70.13	70.13	43.97	43.97
Wyoming	72.82	72.82	45.10	45.10
<b>State</b>	<b>70.50</b>	<b>70.50</b>	<b>44.23</b>	<b>44.23</b>

**FINAL COMPUTATIONS - (HB 4588 WITH 20% PHASE-IN)  
PUBLIC SCHOOL SUPPORT PROGRAM  
PROFESSIONAL INSTRUCTIONAL PERSONNEL DATA  
FOR THE 2008-09 YEAR**

County	2007-08 Net Enrollment With Total Adjustments	Student Population Density	Computed Professional Instructional Employed	Proration Multi-County Vocational Centers	Computed Professional Instructional Chargeable	Computed Professional Instructional Chargeable Ratio/1,000	Computed PI Required	Under PI Limits Without Enrollment Increase
Barbour	2,539.10	Low	176.82	1.58	178.40	70.26	176.16	-
Berkeley	16,823.36	High	1,217.30	(9.70)	1,207.60	71.78	1,138.17	-
Boone	4,591.60	Low	350.96	-	350.96	76.44	320.35	-
Braxton	2,290.46	Sparse	170.90	-	170.90	74.61	158.75	-
Brooke	3,496.80	High	256.74	-	256.74	73.42	249.57	-
Cabell	12,326.24	High	896.55	-	896.55	72.74	826.78	-
Calhoun	1,240.94	Sparse	83.90	(5.66)	78.24	63.05	78.45	-
Clay	2,031.65	Low	144.30	-	144.30	71.03	141.43	-
Doddridge	1,319.99	Sparse	92.20	2.06	94.26	71.41	87.57	-
Fayette	6,825.80	Medium	482.00	-	482.00	70.61	451.40	-
Gilmer	1,084.01	Sparse	65.90	5.66	71.56	66.01	65.22	-
Grant	1,984.05	Sparse	151.00	(3.88)	147.12	74.15	144.05	-
Greenbrier	5,182.35	Low	379.70	-	379.70	73.27	361.66	-
Hampshire	3,680.40	Low	268.65	-	268.65	72.99	253.28	-
Hancock	4,291.47	High	304.30	-	304.30	70.91	299.89	-
Hardy	2,335.81	Sparse	155.15	2.76	157.91	67.60	154.49	-
Harrison	11,228.46	High	797.90	(3.96)	793.94	70.71	776.82	-
Jackson	5,028.21	Medium	365.07	(5.11)	359.96	71.59	343.56	-
Jefferson	8,282.64	High	557.06	5.73	562.79	67.95	555.18	-
Kanawha	28,026.78	High	1,994.48	-	1,994.48	71.16	1,916.38	-
Lewis	2,697.01	Low	195.50	2.42	197.92	73.38	189.80	-
Lincoln	3,516.20	Low	266.50	-	266.50	75.79	250.41	-
Logan	6,429.87	Medium	440.87	-	440.87	68.57	422.70	-
Marion	8,076.81	High	638.70	-	638.70	79.08	546.00	-
Marshall	4,943.19	Medium	376.40	-	376.40	76.15	351.20	-
Mason	4,341.85	Low	304.16	-	304.16	70.05	306.14	-
McDowell	3,772.40	Low	272.50	-	272.50	72.24	257.53	-
Mercer	9,487.65	High	642.86	-	642.86	67.76	628.04	-
Mineral	4,553.39	Medium	321.20	-	321.20	70.54	315.19	-
Mingo	4,549.50	Medium	325.60	-	325.60	71.57	309.11	-
Monongalia	10,237.47	High	711.50	-	711.50	69.50	688.98	-
Monroe	1,969.85	Sparse	137.80	-	137.80	69.95	132.93	-
Morgan	2,718.15	Medium	181.17	3.97	185.14	68.11	180.59	-
Nicholas	4,110.95	Low	293.35	-	293.35	71.36	287.18	-
Ohio	5,284.54	High	373.22	-	373.22	70.62	370.41	-
Pendleton	1,365.26	Sparse	84.94	1.12	86.06	63.04	84.22	-
Pleasants	1,391.27	Medium	112.45	(5.76)	106.69	76.69	94.82	-
Pocahontas	1,400.00	Sparse	95.83	-	95.83	68.45	86.92	-
Preston	4,555.05	Low	326.58	-	326.58	71.70	321.37	-
Putnam	9,197.80	High	651.70	-	651.70	70.85	631.84	-
Raleigh	12,092.73	Medium	841.10	-	841.10	69.55	803.85	-
Randolph	4,414.13	Sparse	306.50	-	306.50	69.44	304.16	-
Ritchie	1,598.05	Sparse	118.80	2.73	121.53	76.05	113.50	-
Roane	2,533.00	Low	175.20	5.11	180.31	71.18	178.10	-
Summers	1,554.98	Sparse	110.27	-	110.27	70.91	105.70	-
Taylor	2,431.35	Medium	164.98	1.90	166.88	68.64	163.06	-
Tucker	1,290.95	Sparse	78.33	-	78.33	60.68	78.57	-
Tyler	1,504.61	Low	114.52	1.33	115.85	77.00	111.33	-
Upshur	3,859.85	Medium	277.33	(4.00)	273.33	70.81	268.94	-
Wayne	7,634.26	Medium	537.60	-	537.60	70.42	532.79	-
Webster	1,589.56	Sparse	112.25	-	112.25	70.62	106.50	-
Wetzel	2,949.81	Low	221.30	1.70	223.00	75.60	216.14	-
Wirt	1,082.69	Sparse	71.80	-	71.80	66.32	66.27	-
Wood	13,422.61	High	934.60	-	934.60	69.63	907.11	-
Wyoming	4,168.56	Low	312.25	-	312.25	74.91	295.78	-
<b>State</b>	<b>386,826.82</b>	<b>-</b>	<b>20,040.54</b>	<b>0.00</b>	<b>20,040.54</b>	<b>51.81</b>	<b>19,206.37</b>	<b>-</b>

**FINAL COMPUTATIONS - (HB 4588 WITH 20% PHASE-IN)  
PUBLIC SCHOOL SUPPORT PROGRAM  
PROFESSIONAL EDUCATOR AND PROFESSIONAL  
STUDENT SUPPORT PERSONNEL DATA  
FOR THE 2008-09 YEAR**

County	Professional Student Support Personnel			Professional Educators			Total Professional Personnel		
	Computed State Aid Eligible	Computed No. Employed In Excess Of Limits	Computed No. Student Support Pers Funded	Computed State Aid Eligible	Computed No. Employed In Excess Of Limits	Computed Adjusted No. Prof Educ. Funded	2007-08 State Aid Eligible	Computed No. Employed In Excess Of Limits	Computed Adjusted No. Prof. Pers. Funded
	Employed			Employed			Employed		
Barbour	1.46	0.02	1.48	186.44	(0.07)	186.37	187.90	(0.05)	187.85
Berkeley	11.50	(0.15)	11.35	1,291.30	(57.26)	1,234.04	1,302.80	(57.41)	1,245.39
Boone	2.46	(0.22)	2.24	376.71	(36.20)	340.51	379.17	(36.42)	342.75
Braxton	1.10	(0.09)	1.01	185.99	(16.06)	169.93	187.09	(16.15)	170.94
Brooke	1.93	(0.11)	1.82	276.74	(18.47)	258.27	278.67	(18.58)	260.09
Cabell	6.90	(0.21)	6.69	948.55	(59.72)	888.83	955.45	(59.93)	895.52
Calhoun	0.60	0.06	0.66	90.40	0.11	90.51	91.00	0.17	91.17
Clay	-	-	-	152.30	(0.97)	151.33	152.30	(0.97)	151.33
Doddridge	0.80	(0.02)	0.78	99.10	(8.05)	91.05	99.90	(8.07)	91.83
Fayette	4.00	(0.09)	3.91	523.40	(38.03)	485.37	527.40	(38.12)	489.28
Gilmer	0.60	0.02	0.62	72.90	(8.37)	64.53	73.50	(8.35)	65.15
Grant	-	-	-	161.00	(7.64)	153.36	161.00	(7.64)	153.36
Greenbrier	4.00	(0.11)	3.89	403.99	(19.67)	384.32	407.99	(19.78)	388.21
Hampshire	2.20	(0.10)	2.10	289.40	(17.08)	272.32	291.60	(17.18)	274.42
Hancock	2.20	(0.10)	2.10	333.96	(16.99)	316.97	336.16	(17.09)	319.07
Hardy	1.20	0.04	1.24	166.50	(3.39)	163.11	167.70	(3.35)	164.35
Harrison	6.60	(0.07)	6.53	852.65	(19.02)	833.63	859.25	(19.09)	840.16
Jackson	3.60	(0.07)	3.53	392.57	(17.47)	375.10	396.17	(17.54)	378.63
Jefferson	5.20	(0.08)	5.12	624.06	(33.41)	590.65	629.26	(33.49)	595.77
Kanawha	23.62	(0.03)	23.59	2,128.23	(68.20)	2,060.03	2,151.85	(68.23)	2,083.62
Lewis	1.60	(0.10)	1.50	212.00	(14.95)	197.05	213.60	(15.05)	198.55
Lincoln	-	-	-	285.95	(23.64)	262.31	285.95	(23.64)	262.31
Logan	3.30	0.07	3.37	470.42	(15.90)	454.52	473.72	(15.83)	457.89
Marion	5.00	(0.54)	4.46	676.45	(89.49)	586.96	681.45	(90.03)	591.42
Marshall	3.60	(0.27)	3.33	401.90	(36.65)	365.25	405.50	(36.92)	368.58
Mason	-	-	-	326.29	(2.39)	323.90	326.29	(2.39)	323.90
McDowell	2.50	(0.09)	2.41	294.50	(17.60)	276.90	297.00	(17.69)	279.31
Mercer	5.34	0.17	5.51	687.56	(12.34)	675.22	692.90	(12.17)	680.73
Mineral	3.17	(0.02)	3.15	345.75	(9.30)	336.45	348.92	(9.32)	339.60
Mingo	2.25	(0.09)	2.16	353.10	(20.78)	332.32	355.35	(20.87)	334.48
Monongalia	6.15	0.07	6.22	757.50	(16.82)	740.68	763.65	(16.75)	746.90
Monroe	1.20	0.01	1.21	146.94	(3.96)	142.98	148.14	(3.95)	144.19
Morgan	1.35	(0.03)	1.32	203.17	(13.30)	189.87	204.52	(13.33)	191.19
Nicholas	2.40	(0.03)	2.37	312.35	(7.48)	304.87	314.75	(7.51)	307.24
Ohio	3.18	(0.06)	3.12	402.72	(12.40)	390.32	405.90	(12.46)	393.44
Pendleton	0.50	0.05	0.55	91.44	(2.69)	88.75	91.94	(2.64)	89.30
Pleasants	0.80	(0.08)	0.72	123.20	(15.31)	107.89	124.00	(15.39)	108.61
Pocahontas	0.90	0.03	0.93	102.76	(10.02)	92.74	103.66	(9.99)	93.67
Preston	2.30	(0.02)	2.28	344.03	(6.22)	337.81	346.33	(6.24)	340.09
Putnam	5.80	(0.01)	5.79	690.54	(11.36)	679.18	696.34	(11.37)	684.97
Raleigh	7.20	0.04	7.24	902.10	(37.78)	864.32	909.30	(37.74)	871.56
Randolph	3.00	0.04	3.04	329.53	(2.42)	327.11	332.53	(2.38)	330.15
Ritchie	-	-	-	129.70	(13.82)	115.88	129.70	(13.82)	115.88
Roane	-	-	-	190.20	(6.99)	183.21	190.20	(6.99)	183.21
Summers	1.20	0.02	1.22	116.73	(3.05)	113.68	117.93	(3.03)	114.90
Taylor	1.40	0.05	1.45	173.98	(0.73)	173.25	175.38	(0.68)	174.70
Tucker	0.60	0.09	0.69	84.84	(0.28)	84.56	85.44	(0.19)	85.25
Tyler	-	-	-	122.19	(7.48)	114.71	122.19	(7.48)	114.71
Upshur	2.40	(0.02)	2.38	296.93	(5.91)	291.02	299.33	(5.93)	293.40
Wayne	3.60	(0.03)	3.57	573.20	(9.10)	564.10	576.80	(9.13)	567.67
Webster	1.00	(0.01)	0.99	121.50	(6.95)	114.55	122.50	(6.96)	115.54
Wetzel	-	-	-	236.30	(17.24)	219.06	236.30	(17.24)	219.06
Wirt	0.70	0.05	0.75	76.05	(4.37)	71.68	76.75	(4.32)	72.43
Wood	8.40	0.07	8.47	998.60	(23.45)	975.15	1,007.00	(23.38)	983.62
Wyoming	-	-	-	335.95	(24.98)	310.97	335.95	(24.98)	310.97
<b>State</b>	<b>160.81</b>	<b>(1.92)</b>	<b>158.89</b>	<b>21,472.56</b>	<b>(953.11)</b>	<b>20,519.45</b>	<b>21,633.37</b>	<b>(955.03)</b>	<b>20,678.34</b>

OSF  
12/29/08  
COMPS09 Final (Restated)

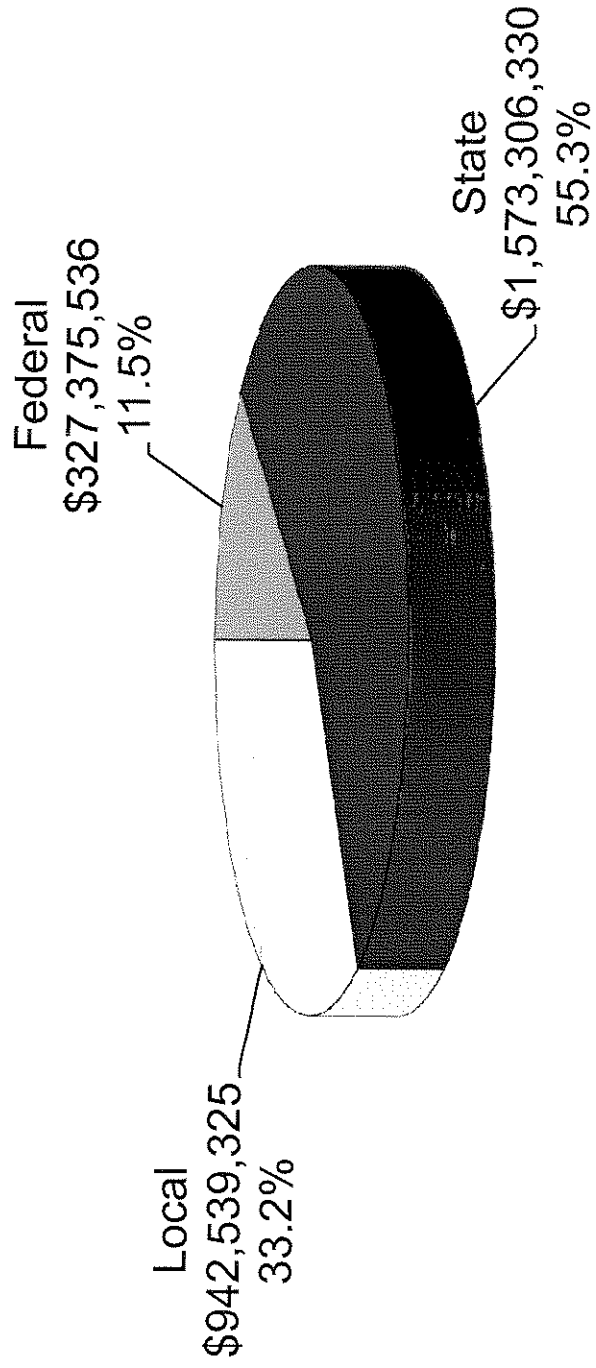
**COUNTY BOARDS OF EDUCATION  
SUMMARY OF PROPOSED BUDGETS  
FOR THE 2008-09 YEAR**

County	Current Expense Fund	Special Revenue Fund	Debt Service Fund	Bond Construction Fund	Permanent Improvement Fund	Capital Projects Fund	Total All Funds
Barbour	17,950,670	4,276,896	998,250	-	1,269,310	-	24,495,126
Berkeley	142,838,869	19,703,472	4,172,090	-	-	-	166,714,431
Boone	42,480,160	7,193,212	-	-	-	-	49,673,372
Braxton	17,477,140	4,643,850	-	-	-	-	22,120,990
Brooke	29,665,158	4,252,804	1,419,525	400,000	50,000	-	35,787,487
Cabell	103,143,048	19,153,976	5,587,463	-	1,264,064	-	129,148,551
Calhoun	7,639,580	2,169,620	342,500	-	-	-	10,151,700
Clay	14,225,414	3,908,643	-	-	-	-	18,134,057
Doddridge	11,723,100	2,136,250	765,770	-	-	-	14,625,120
Fayette	61,215,512	10,173,904	-	-	-	-	71,389,416
Gilmer	8,075,330	1,816,430	-	-	-	-	9,891,760
Grant	13,347,657	2,822,384	68,148	-	-	-	16,238,190
Greenbrier	42,862,050	8,906,490	1,579,990	-	-	-	53,348,530
Hampshire	26,144,548	5,269,847	485,000	-	-	-	31,899,395
Hancock	35,156,987	5,156,325	-	-	-	-	40,313,312
Hardy	14,597,221	3,438,892	-	-	-	-	18,036,113
Harrison	96,452,484	15,910,555	-	-	-	-	112,363,039
Jackson	40,600,727	5,945,279	-	-	-	-	46,546,006
Jefferson	78,594,810	10,007,550	3,538,700	118,820	-	-	92,259,880
Kanawha	230,436,080	43,112,983	6,145,060	100,000	11,000,000	-	290,794,123
Lewis	22,604,376	4,364,991	-	-	-	-	26,969,367
Lincoln	29,027,958	6,568,764	-	-	-	-	35,596,722
Logan	53,648,930	10,700,215	-	-	3,120,250	-	67,469,395
Marion	64,471,952	10,917,621	-	-	-	-	75,389,573
Marshall	44,542,324	7,484,030	2,682,590	-	-	-	54,708,944
Mason	36,560,581	6,355,939	1,693,114	370,000	-	200,000	45,179,634
Mercer	33,373,360	9,474,590	-	-	-	-	42,847,950
Mineral	72,589,770	15,477,460	-	-	-	3,313,860	91,381,090
Mingo	35,906,747	7,677,303	-	-	300,000	-	43,884,050
Monongalia	41,628,046	8,702,436	-	-	1,797,640	500,000	52,628,122
Monroe	87,076,710	12,722,310	3,413,650	6,000,000	3,461,300	-	112,673,970
Morgan	13,790,803	2,592,745	199,023	-	104,245	-	16,686,816
McDowell	22,846,588	3,605,840	-	-	-	464,460	26,916,888
Nicholas	33,957,145	6,550,991	600,000	-	-	-	41,108,136
Ohio	48,001,971	7,455,684	2,819,469	-	1,083,256	-	59,360,380
Pendleton	9,155,699	1,786,741	-	-	-	1,900,000	12,842,440
Pleasants	13,901,107	1,996,928	-	-	-	-	15,898,035
Pocahontas	9,795,477	2,235,521	-	-	-	-	12,030,998
Preston	32,167,219	6,665,644	-	-	-	-	38,832,863
Putnam	79,406,323	10,906,398	-	-	-	1,414,557	91,727,278
Raleigh	97,844,316	20,042,371	2,858,313	5,000	500,000	350,000	121,600,000
Randolph	32,223,175	6,876,683	-	-	-	-	39,099,858
Ritchie	13,923,280	1,083,882	-	-	-	-	15,007,162
Roane	18,144,581	4,571,323	500,803	-	-	-	23,216,707
Summers	11,435,540	3,018,687	-	-	-	4,556,924	19,011,151
Taylor	18,663,404	366,337	940,951	-	-	-	19,970,692
Tucker	9,049,225	1,746,673	-	-	-	-	10,795,898
Tyler	13,560,487	2,400,374	-	-	-	-	15,960,861
Upshur	29,099,805	5,539,324	-	-	-	100,000	34,739,129
Wayne	59,807,593	9,695,766	-	-	-	-	69,503,359
Webster	11,288,000	3,082,720	-	-	-	-	14,370,720
Wetzel	24,902,048	4,004,765	-	-	-	-	28,906,813
Wirt	7,256,044	1,757,772	-	-	-	117,407	9,131,223
Wood	109,492,910	17,881,326	3,956,679	5,500,000	-	640,000	137,470,915
Wyoming	37,810,151	7,521,200	1,280,358	-	566,581	-	47,178,290
<b>Total</b>	<b>2,313,580,190</b>	<b>413,830,716</b>	<b>46,047,446</b>	<b>12,493,820</b>	<b>24,516,646</b>	<b>13,557,208</b>	<b>2,824,026,027</b>



# COUNTY BOARDS OF EDUCATION REVENUES BY SOURCE

2007-08



**COUNTY BOARDS OF EDUCATION  
TOTAL REVENUES CLASSIFIED BY SOURCE  
FOR THE 2007-08 YEAR**

County	Local Revenues		State Revenues		Federal Revenues		Total Revenues
	Amount	Percent	Amount	Percent	Amount	Percent	
Barbour	\$ 3,860,979	16.7%	\$ 15,844,128	68.5%	\$ 3,419,607	14.8%	\$ 23,124,714
Berkeley	64,719,517	40.9%	80,008,476	50.5%	13,592,120	8.6%	158,320,113
Boone	23,183,406	48.0%	20,232,104	41.9%	4,843,290	10.0%	48,258,800
Braxton	3,636,854	17.1%	13,786,065	64.7%	3,869,597	18.2%	21,292,516
Brooke	12,590,308	35.5%	19,616,733	55.3%	3,261,944	9.2%	35,468,985
Cabell	52,152,244	38.7%	67,651,974	50.2%	14,861,098	11.0%	134,665,316
Calhoun	1,576,133	16.0%	7,037,451	71.2%	1,263,700	12.8%	9,877,284
Clay	3,783,625	19.2%	12,810,495	64.9%	3,158,071	16.0%	19,752,191
Doddridge	5,954,106	35.2%	9,222,973	54.6%	1,725,290	10.2%	16,902,369
Fayette	17,022,984	23.9%	43,636,190	61.2%	10,588,174	14.9%	71,247,348
Gilmer	3,240,843	33.0%	4,685,192	47.7%	1,887,080	19.2%	9,813,115
Grant	5,045,201	24.4%	13,395,085	64.7%	2,249,670	10.9%	20,689,956
Greenbrier	15,513,920	29.6%	29,289,295	55.9%	7,625,189	14.5%	52,428,404
Hampshire	8,446,463	26.9%	18,803,647	59.9%	4,146,947	13.2%	31,397,057
Hancock	13,996,435	35.1%	22,414,745	56.2%	3,469,904	8.7%	39,881,084
Hardy	4,345,361	18.0%	17,267,047	71.3%	2,594,893	10.7%	24,207,301
Harrison	37,051,578	34.2%	59,646,197	55.0%	11,687,630	10.8%	108,385,405
Jackson	16,154,894	32.8%	27,871,001	56.7%	5,172,343	10.5%	49,198,238
Jefferson	53,099,723	56.0%	36,870,371	38.9%	4,768,885	5.0%	94,738,979
Kanawha	116,171,653	40.0%	139,182,086	47.9%	35,174,147	12.1%	290,527,886
Lewis	9,864,390	36.7%	14,186,603	52.8%	2,818,107	10.5%	26,869,100
Lincoln	7,025,608	19.7%	23,110,794	64.8%	5,547,701	15.5%	35,684,103
Logan	18,920,483	30.4%	35,929,607	57.8%	7,318,675	11.8%	62,168,765
Marion	26,622,415	33.1%	44,725,390	55.6%	9,097,150	11.3%	80,444,955
Marshall	25,297,795	42.1%	28,268,650	47.1%	6,483,341	10.8%	60,049,786
Mason	14,831,322	28.2%	32,428,482	61.7%	5,315,198	10.1%	52,575,002
McDowell	12,865,496	22.2%	36,585,773	63.2%	8,456,586	14.6%	57,907,855
Mercer	21,975,851	24.6%	53,986,069	60.4%	13,422,242	15.0%	89,384,162
Mineral	11,016,308	24.3%	28,830,255	63.6%	5,472,217	12.1%	45,318,780
Mingo	16,009,005	33.6%	24,304,924	51.0%	7,322,139	15.4%	47,636,068
Monongalia	48,723,309	43.8%	52,196,119	46.9%	10,333,688	9.3%	111,253,116
Monroe	3,445,763	18.2%	12,034,246	63.4%	3,500,272	18.4%	18,980,281
Morgan	9,551,585	39.5%	12,566,235	51.9%	2,075,333	8.6%	24,193,153
Nicholas	9,902,390	25.3%	23,360,598	59.7%	5,852,183	15.0%	39,115,171
Ohio	19,539,371	36.3%	28,226,133	52.4%	6,058,795	11.3%	53,824,299
Pendleton	2,081,951	14.5%	10,970,837	76.4%	1,301,825	9.1%	14,354,613
Pleasants	8,239,203	50.7%	6,850,195	42.2%	1,150,133	7.1%	16,239,531
Pocahontas	4,173,976	35.5%	5,137,049	43.7%	2,437,775	20.7%	11,748,800
Preston	9,608,855	23.5%	25,426,415	62.1%	5,890,219	14.4%	40,925,489
Putnam	34,223,198	36.6%	52,524,138	56.1%	6,855,221	7.3%	93,602,557
Raleigh	39,032,996	31.8%	70,601,873	57.6%	12,994,071	10.6%	122,628,940
Randolph	6,456,393	18.9%	23,981,165	70.1%	3,778,465	11.0%	34,216,023
Ritchie	4,586,310	28.9%	9,085,586	57.2%	2,214,367	13.9%	15,886,263
Roane	2,866,299	12.9%	15,529,952	70.0%	3,776,595	17.0%	22,172,846
Summers	2,411,727	15.2%	10,919,496	69.0%	2,500,328	15.8%	15,831,551
Taylor	5,801,315	25.3%	14,197,704	61.9%	2,922,435	12.7%	22,921,454
Tucker	3,340,230	27.8%	6,852,992	57.1%	1,812,483	15.1%	12,005,705
Tyler	4,835,657	30.2%	9,179,203	57.3%	2,003,192	12.5%	16,018,052
Upshur	10,594,332	26.3%	26,041,606	64.8%	3,576,470	8.9%	40,212,408
Wayne	16,662,533	24.0%	44,557,861	64.1%	8,268,535	11.9%	69,488,929
Webster	2,577,454	15.1%	11,560,225	67.8%	2,900,814	17.0%	17,038,493
Wetzel	8,135,902	27.9%	17,312,771	59.4%	3,677,865	12.6%	29,126,538
Wirt	1,744,145	18.7%	6,250,139	66.8%	1,355,575	14.5%	9,349,859
Wood	43,020,052	33.0%	73,022,440	56.0%	14,402,920	11.0%	130,445,412
Wyoming	15,009,479	34.6%	23,293,552	53.6%	5,123,045	11.8%	43,426,076
<b>Total</b>	<b>\$ 942,539,325</b>	<b>33.2%</b>	<b>\$ 1,573,306,330</b>	<b>55.3%</b>	<b>\$ 327,375,536</b>	<b>11.5%</b>	<b>\$ 2,843,221,196</b>
Bond and capital lease proceeds, not classified above							\$ 19,450,967

Note: RESA funds are not included.

OSF

02/05/09

Revenue Classified by Source 08

**COUNTY BOARDS OF EDUCATION  
TOTAL EXPENDITURES  
2007-08 YEAR**

County	Current Operations	Capital Outlay	Debt Service	Total
Barbour	21,200,273	137,060	1,049,740	22,387,073
Berkeley	149,772,686	2,023,034	4,146,810	155,942,531
Boone	46,982,695	--	--	46,982,695
Braxton	21,743,130	--	--	21,743,130
Brooke	32,154,957	38,435	1,417,900	33,611,292
Cabell	114,901,370	32,879,419	5,593,812	153,374,602
Calhoun	9,992,057	--	--	9,992,057
Clay	19,269,437	620,726	--	19,890,162
Doddridge	13,178,971	4,944,393	759,886	18,883,249
Fayette	64,709,661	5,561,890	--	70,271,550
Gilmer	9,572,043	--	--	9,572,043
Grant	16,267,261	2,640,416	68,148	18,975,825
Greenbrier	50,419,860	--	--	50,419,860
Hampshire	31,339,962	297,152	478,591	32,115,705
Hancock	39,261,414	--	--	39,261,414
Hardy	18,934,148	5,980,653	--	24,914,800
Harrison	102,509,101	1,362,629	--	103,871,730
Jackson	44,736,135	125,050	--	44,861,185
Jefferson	74,734,583	14,565,568	3,362,530	92,662,681
Kanawha	266,053,865	16,930,452	--	282,984,317
Lewis	25,545,357	2,876,958	--	28,422,315
Lincoln	35,508,337	94,758	--	35,603,094
Logan	57,319,958	2,717,633	--	60,037,591
Marion	80,611,966	428,212	981,200	82,021,379
Marshall	51,672,859	9,181,762	2,487,617	63,342,238
Mason	41,552,640	12,578,934	1,615,793	55,747,367
McDowell	39,247,963	14,761,419	--	54,009,382
Mercer	91,869,145	--	--	91,869,145
Mineral	42,990,842	1,622,721	--	44,613,563
Mingo	45,642,886	508,773	--	46,151,659
Monongalia	96,706,038	24,911,768	--	121,617,806
Monroe	18,998,145	41,940	201,432	19,241,517
Morgan	23,923,545	919,831	--	24,843,376
Nicholas	38,662,622	--	--	38,662,622
Ohio	51,165,226	1,368,798	1,210,944	53,744,967
Pendleton	11,083,710	3,580,785	--	14,664,495
Pleasants	14,492,975	--	--	14,492,975
Pocahontas	12,248,326	--	--	12,248,326
Preston	39,217,672	--	--	39,217,672
Putnam	82,434,309	8,305,252	--	90,739,562
Raleigh	111,253,637	10,807,741	2,870,594	124,931,972
Randolph	36,886,700	571,858	--	37,458,558
Ritchie	16,171,276	144,576	--	16,315,853
Roane	22,262,492	--	293,298	22,555,790
Summers	14,355,437	2,062,659	--	16,418,096
Taylor	21,143,274	338,407	921,235	22,402,916
Tucker	10,859,765	897,819	--	11,757,584
Tyler	15,858,928	--	--	15,858,928
Upshur	35,185,173	3,862,650	--	39,047,823
Wayne	66,187,601	3,080,796	--	69,268,397
Webster	13,827,357	2,888,690	--	16,716,047
Wetzel	29,496,464	46,503	--	29,542,966
Wirt	9,158,220	30,168	--	9,188,388
Wood	123,959,681	26,792,838	3,124,050	153,876,570
Wyoming	41,425,315	497,618	696,639	42,619,572
<b>State</b>	<b>2,616,659,447</b>	<b>224,028,742</b>	<b>31,280,220</b>	<b>2,871,968,409</b>

Note: Excludes expenditures of Regional Education Service Agencies (RESAs) and Multi-County Vocational Centers (MCVCs)

OSF3

03/23/09

Current Exp by Function 08

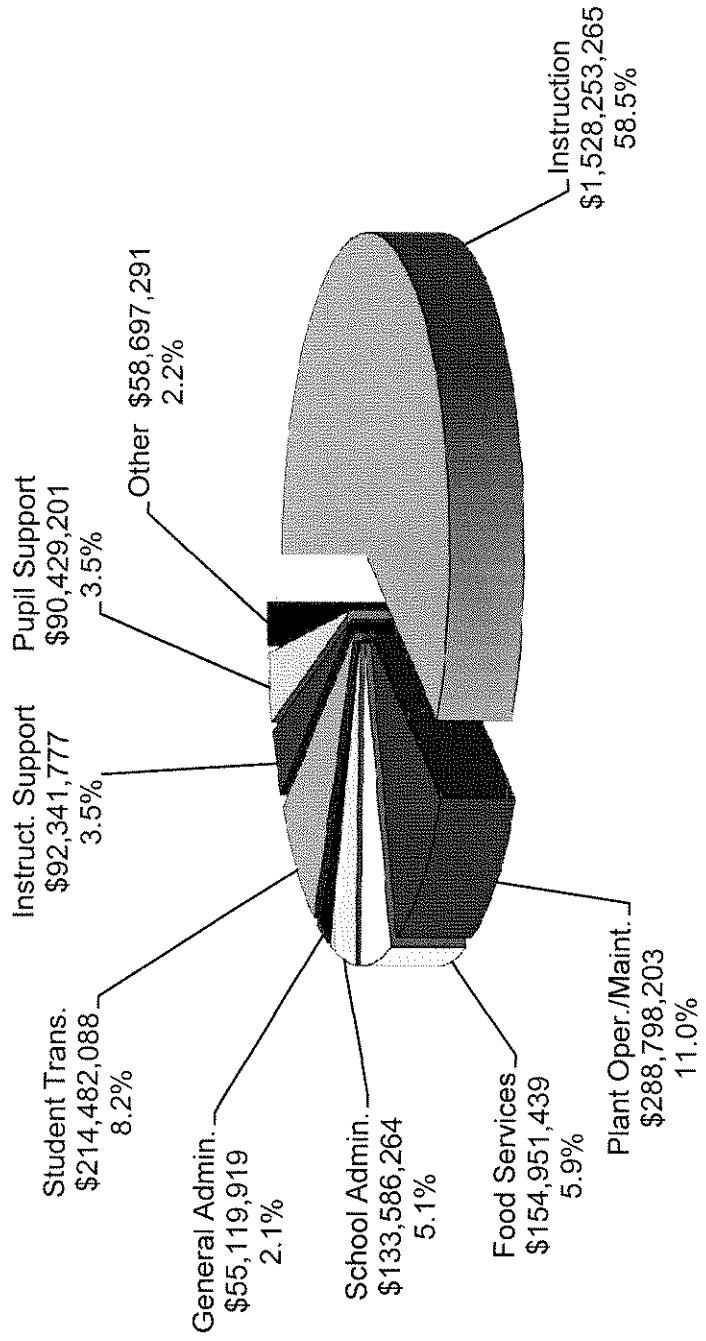
**COUNTY BOARDS OF EDUCATION  
TOTAL EXPENDITURES - ARRANGED  
IN DESCENDING ORDER  
2007-08 YEAR**

Ct.	County	Current Operations	Capital Outlay	Debt Service	Total
1.	Kanawha	266,053,865	16,930,452	--	282,984,317
2.	Berkeley	149,772,686	2,023,034	4,146,810	155,942,531
3.	Wood	123,959,681	26,792,838	3,124,050	153,876,570
4.	Cabell	114,901,370	32,879,419	5,593,812	153,374,602
5.	Raleigh	111,253,637	10,807,741	2,870,594	124,931,972
6.	Monongalia	96,706,038	24,911,768	--	121,617,806
7.	Harrison	102,509,101	1,362,629	--	103,871,730
8.	Jefferson	74,734,583	14,565,568	3,362,530	92,662,681
9.	Mercer	91,869,145	--	--	91,869,145
10.	Putnam	82,434,309	8,305,252	--	90,739,562
11.	Marion	80,611,966	428,212	981,200	82,021,379
12.	Fayette	64,709,661	5,561,890	--	70,271,550
13.	Wayne	66,187,601	3,080,796	--	69,268,397
14.	Marshall	51,672,859	9,181,762	2,487,617	63,342,238
15.	Logan	57,319,958	2,717,633	--	60,037,591
16.	Mason	41,552,640	12,578,934	1,615,793	55,747,367
17.	McDowell	39,247,963	14,761,419	--	54,009,382
18.	Ohio	51,165,226	1,368,798	1,210,944	53,744,967
19.	Greenbrier	50,419,860	--	--	50,419,860
20.	Boone	46,982,695	--	--	46,982,695
21.	Mingo	45,642,886	508,773	--	46,151,659
22.	Jackson	44,736,135	125,050	--	44,861,185
23.	Mineral	42,990,842	1,622,721	--	44,613,563
24.	Wyoming	41,425,315	497,618	696,639	42,619,572
25.	Hancock	39,261,414	--	--	39,261,414
26.	Preston	39,217,672	--	--	39,217,672
27.	Upshur	35,185,173	3,862,650	--	39,047,823
28.	Nicholas	38,662,622	--	--	38,662,622
29.	Randolph	36,886,700	571,858	--	37,458,558
30.	Lincoln	35,508,337	94,758	--	35,603,094
31.	Brooke	32,154,957	38,435	1,417,900	33,611,292
32.	Hampshire	31,339,962	297,152	478,591	32,115,705
33.	Wetzel	29,496,464	46,503	--	29,542,966
34.	Lewis	25,545,357	2,876,958	--	28,422,315
35.	Hardy	18,934,148	5,980,653	--	24,914,800
36.	Morgan	23,923,545	919,831	--	24,843,376
37.	Roane	22,262,492	--	293,298	22,555,790
38.	Taylor	21,143,274	338,407	921,235	22,402,916
39.	Barbour	21,200,273	137,060	1,049,740	22,387,073
40.	Braxton	21,743,130	--	--	21,743,130
41.	Clay	19,269,437	620,726	--	19,890,162
42.	Monroe	18,998,145	41,940	201,432	19,241,517
43.	Grant	16,267,261	2,640,416	68,148	18,975,825
44.	Doddridge	13,178,971	4,944,393	759,886	18,883,249
45.	Webster	13,827,357	2,888,690	--	16,716,047
46.	Summers	14,355,437	2,062,659	--	16,418,096
47.	Ritchie	16,171,276	144,576	--	16,315,853
48.	Tyler	15,858,928	--	--	15,858,928
49.	Pendleton	11,083,710	3,580,785	--	14,664,495
50.	Pleasants	14,492,975	--	--	14,492,975
51.	Pocahontas	12,248,326	--	--	12,248,326
52.	Tucker	10,859,765	897,819	--	11,757,584
53.	Calhoun	9,992,057	--	--	9,992,057
54.	Gilmer	9,572,043	--	--	9,572,043
55.	Wirt	9,158,220	30,168	--	9,188,388
-	State	2,616,659,447	224,028,742	31,280,220	2,871,968,409

Note: Excludes expenditures of Regional Education Service Agencies (RESAs) and Multi-County Vocational Centers (MCVCs)

OSF3  
03/23/09  
Current Exp by Function 08

# COUNTY BOARDS OF EDUCATION EXPENDITURES FOR CURRENT OPERATIONS 2007-08



**COUNTY BOARDS OF EDUCATION  
EXPENDITURES FOR CURRENT OPERATIONS  
CLASSIFIED BY FUNCTION  
FOR THE 2007-08 YEAR**

County	Instruction		Students		Support Services		General Administration	
	Amount	Pct.	Amount	Pct.	Amount	Pct.	Amount	Pct.
Barbour	12,866,670	60.7%	744,638	3.5%	849,707	4.0%	402,573	1.9%
Berkeley	86,356,133	57.7%	5,693,342	3.8%	5,358,774	3.6%	1,995,010	1.3%
Boone	25,600,854	54.5%	1,885,714	4.0%	1,375,495	2.9%	1,677,077	3.6%
Braxton	12,598,618	57.9%	825,790	3.8%	761,525	3.5%	627,961	2.9%
Brooke	18,999,788	59.1%	1,089,261	3.4%	524,452	1.6%	1,385,834	4.3%
Cabell	67,902,241	59.1%	4,880,124	4.3%	6,101,192	5.3%	840,696	0.7%
Calhoun	5,644,951	56.5%	255,544	2.6%	119,522	1.2%	376,628	3.8%
Clay	10,494,537	54.5%	627,844	3.3%	688,463	3.6%	799,618	4.2%
Doddridge	6,967,713	52.9%	363,940	2.8%	576,688	4.4%	601,186	4.6%
Fayette	38,692,394	59.8%	1,642,979	2.5%	2,000,820	3.1%	1,376,583	2.1%
Gilmer	5,213,883	54.5%	387,080	4.0%	369,721	3.9%	397,542	4.2%
Grant	9,454,348	58.1%	531,085	3.3%	581,514	3.6%	537,986	3.3%
Greenbrier	30,926,928	61.3%	844,132	1.7%	1,335,322	2.7%	1,249,091	2.5%
Hampshire	18,053,582	57.6%	1,283,377	4.1%	1,219,250	3.9%	497,883	1.6%
Hancock	23,355,831	59.5%	1,062,905	2.7%	900,968	2.3%	1,420,228	3.6%
Hardy	10,436,290	55.1%	702,995	3.7%	903,064	4.8%	608,333	3.2%
Harrison	57,980,942	56.6%	4,588,170	4.5%	5,368,612	5.2%	1,653,377	1.6%
Jackson	25,374,184	56.7%	2,547,193	5.7%	1,516,113	3.4%	789,834	1.8%
Jefferson	44,397,774	59.4%	2,623,401	3.5%	1,926,700	2.6%	1,763,628	2.4%
Kanawha	157,842,640	59.3%	11,169,568	4.2%	7,291,128	2.7%	2,553,158	1.0%
Lewis	14,013,588	54.9%	1,235,673	4.8%	664,754	2.6%	807,670	3.2%
Lincoln	19,731,780	55.6%	802,154	2.3%	1,799,003	5.1%	1,078,671	3.0%
Logan	33,716,337	58.8%	1,631,894	2.9%	2,280,520	4.0%	836,269	1.5%
Marion	49,126,937	60.9%	1,967,768	2.4%	3,059,647	3.8%	1,632,247	2.0%
Marshall	30,419,068	58.9%	1,873,892	3.6%	1,343,314	2.6%	1,480,323	2.9%
Mason	23,829,168	57.4%	1,454,914	3.5%	1,681,284	4.1%	559,429	1.4%
McDowell	22,328,312	56.9%	393,714	1.0%	2,122,647	5.4%	1,463,913	3.7%
Mercer	51,532,809	56.1%	2,332,564	2.5%	3,573,034	3.9%	753,810	0.8%
Mineral	24,304,948	56.5%	1,910,456	4.4%	1,270,454	3.0%	803,640	1.9%
Mingo	26,035,295	57.0%	1,166,026	2.6%	2,600,082	5.7%	1,581,489	3.5%
Monongalia	57,341,719	59.3%	4,703,389	4.9%	2,636,917	2.7%	1,442,216	1.5%
Monroe	10,691,087	56.3%	644,570	3.4%	474,552	2.5%	690,096	3.6%
Morgan	13,008,304	54.4%	1,032,909	4.3%	1,104,501	4.6%	498,948	2.1%
Nicholas	23,120,196	59.8%	1,242,648	3.2%	1,141,909	3.0%	1,033,982	2.7%
Ohio	29,696,687	58.0%	2,209,582	4.3%	1,705,238	3.3%	1,001,780	2.0%
Pendleton	6,184,576	55.8%	385,100	3.5%	388,108	3.5%	260,722	2.4%
Pleasants	7,769,543	53.6%	528,803	3.7%	390,935	2.7%	665,514	4.6%
Pocahontas	7,088,851	57.9%	257,790	2.1%	236,036	1.9%	675,312	5.5%
Preston	24,441,367	62.3%	1,057,185	2.7%	892,635	2.3%	759,541	1.9%
Putnam	49,782,534	60.4%	2,440,967	3.0%	2,841,799	3.5%	1,154,089	1.4%
Raleigh	61,888,112	55.6%	4,887,980	4.4%	4,768,922	4.3%	2,525,511	2.3%
Randolph	23,191,430	62.9%	1,116,487	3.0%	587,853	1.6%	1,076,950	2.9%
Ritchie	9,145,956	56.6%	428,735	2.7%	531,189	3.3%	803,174	5.0%
Roane	12,692,657	57.0%	883,050	4.0%	771,303	3.5%	528,090	2.4%
Summers	8,153,257	56.8%	468,061	3.3%	787,366	5.5%	376,124	2.6%
Taylor	12,272,567	58.0%	809,146	3.8%	523,473	2.5%	839,453	4.0%
Tucker	6,234,100	57.4%	198,560	1.8%	397,678	3.7%	342,454	3.2%
Tyler	8,861,839	55.9%	446,545	2.8%	248,049	1.6%	768,371	4.9%
Upshur	20,216,883	57.5%	1,268,308	3.6%	1,165,525	3.3%	934,745	2.7%
Wayne	40,626,936	61.4%	254,693	0.4%	2,677,866	4.1%	1,945,781	2.9%
Webster	8,644,085	62.5%	287,528	2.1%	379,282	2.7%	346,136	2.5%
Wetzel	17,341,194	58.8%	1,054,394	3.6%	849,609	2.9%	978,902	3.3%
Wirt	5,160,630	56.4%	315,019	3.4%	427,778	4.7%	361,623	4.0%
Wood	75,120,179	60.6%	4,019,633	3.2%	5,426,930	4.4%	1,527,338	1.2%
Wyoming	25,380,036	61.3%	969,980	2.3%	822,557	2.0%	1,031,382	2.5%
<b>Total</b>	<b>1,528,253,265</b>	<b>58.4%</b>	<b>90,429,201</b>	<b>3.5%</b>	<b>92,341,777</b>	<b>3.5%</b>	<b>55,119,919</b>	<b>2.1%</b>

OSF3  
03/23/09  
Current Exp by Function 08

**COUNTY BOARDS OF EDUCATION  
EXPENDITURES FOR CURRENT OPERATIONS  
CLASSIFIED BY FUNCTION  
FOR THE 2007-08 YEAR**

Support Services

County	School Administration		Central Services		Oper. & Maint. of Facilities		Student Transportation	
	Amount	Pct.	Amount	Pct.	Amount	Pct.	Amount	Pct.
Barbour	860,803	4.1%	186,611	0.9%	2,069,312	9.8%	1,988,797	9.4%
Berkeley	7,926,952	5.3%	3,046,358	2.0%	15,772,942	10.5%	14,083,518	9.4%
Boone	2,461,419	5.2%	1,311,102	2.8%	5,972,155	12.7%	3,740,825	8.0%
Braxton	1,359,964	6.3%	317,585	1.5%	1,861,811	8.6%	2,066,970	9.5%
Brooke	1,909,318	5.9%	311,976	1.0%	3,834,795	11.9%	2,305,001	7.2%
Cabell	5,027,277	4.4%	1,463,675	1.3%	11,995,245	10.4%	7,853,265	6.8%
Calhoun	509,663	5.1%	121,300	1.2%	994,198	10.0%	1,322,623	13.2%
Clay	844,893	4.4%	127,868	0.7%	1,748,702	9.1%	2,340,610	12.2%
Doddridge	612,642	4.7%	295,368	2.2%	1,600,212	12.1%	1,404,577	10.7%
Fayette	3,890,052	6.0%	1,661,285	2.6%	6,281,163	9.7%	5,406,695	8.4%
Gilmer	592,999	6.2%	149,408	1.6%	951,267	9.9%	923,145	9.6%
Grant	745,686	4.6%	240,826	1.5%	1,515,529	9.3%	1,466,150	9.0%
Greenbrier	2,371,174	4.7%	281,239	0.6%	5,937,859	11.8%	4,329,391	8.6%
Hampshire	1,559,152	5.0%	721,799	2.3%	2,662,002	8.5%	3,400,818	10.9%
Hancock	2,357,235	6.0%	778,958	2.0%	4,373,499	11.1%	3,208,798	8.2%
Hardy	832,557	4.4%	352,917	1.9%	1,590,176	8.4%	1,880,972	9.9%
Harrison	5,461,920	5.3%	2,056,542	2.0%	11,943,595	11.7%	7,587,972	7.4%
Jackson	2,487,122	5.6%	286,009	0.6%	5,322,928	11.9%	4,004,161	9.0%
Jefferson	2,982,749	4.0%	2,036,528	2.7%	8,210,898	11.0%	6,631,580	8.9%
Kanawha	13,732,217	5.2%	6,432,689	2.4%	31,148,985	11.7%	12,829,224	4.8%
Lewis	1,088,640	4.3%	480,886	1.9%	3,081,412	12.1%	2,439,799	9.6%
Lincoln	1,893,410	5.3%	762,683	2.2%	3,428,051	9.7%	3,609,996	10.2%
Logan	2,954,030	5.2%	1,107,829	1.9%	5,943,221	10.4%	5,419,988	9.5%
Marion	3,807,552	4.7%	1,691,742	2.1%	9,639,009	12.0%	5,522,972	6.9%
Marshall	2,818,729	5.5%	1,016,630	2.0%	5,131,369	9.9%	4,662,236	9.0%
Mason	2,210,304	5.3%	489,846	1.2%	4,770,611	11.5%	3,886,804	9.4%
McDowell	2,022,565	5.2%	568,332	1.5%	4,174,946	10.6%	3,905,863	10.0%
Mercer	4,910,081	5.3%	1,393,613	1.5%	15,155,687	16.5%	6,084,653	6.6%
Mineral	2,308,185	5.4%	829,348	1.9%	4,423,103	10.3%	4,381,534	10.2%
Mingo	2,473,251	5.4%	372,663	0.8%	5,383,959	11.8%	3,593,505	7.9%
Monongalia	4,776,175	4.9%	2,182,910	2.3%	10,643,849	11.0%	7,573,951	7.8%
Monroe	837,750	4.4%	246,054	1.3%	1,799,708	9.5%	2,082,303	11.0%
Morgan	1,379,681	5.8%	412,818	1.7%	2,488,038	10.4%	2,271,173	9.5%
Nicholas	1,731,816	4.5%	426,883	1.1%	3,597,207	9.3%	4,013,672	10.4%
Ohio	2,967,575	5.8%	806,744	1.6%	6,390,053	12.5%	3,274,534	6.4%
Pendleton	529,311	4.8%	258,207	2.3%	1,201,450	10.8%	1,194,567	10.8%
Pleasants	813,853	5.6%	422,588	2.9%	1,828,496	12.6%	1,264,677	8.7%
Pocahontas	562,805	4.6%	-	0.0%	1,363,029	11.1%	1,432,659	11.7%
Preston	1,886,338	4.8%	341,131	0.9%	3,894,961	9.9%	4,018,994	10.3%
Putnam	4,721,280	5.7%	1,656,025	2.0%	8,063,682	9.8%	6,231,138	7.6%
Raleigh	5,313,747	4.8%	1,420,634	1.3%	12,826,337	11.5%	10,409,246	9.4%
Randolph	2,107,748	5.7%	345,766	0.9%	3,437,233	9.3%	2,681,441	7.3%
Ritchie	855,400	5.3%	139,403	0.9%	1,669,663	10.3%	1,608,734	10.0%
Roane	859,616	3.9%	348,661	1.6%	2,079,022	9.3%	2,637,159	11.9%
Summers	557,878	3.9%	318,487	2.2%	1,266,583	8.8%	1,460,419	10.2%
Taylor	911,817	4.3%	482,158	2.3%	2,117,775	10.0%	1,967,386	9.3%
Tucker	532,789	4.9%	193,392	1.8%	1,268,877	11.7%	1,006,942	9.3%
Tyler	757,097	4.8%	297,355	1.9%	1,665,965	10.5%	1,854,172	11.7%
Upshur	1,743,241	5.0%	283,672	0.8%	4,373,898	12.4%	3,346,709	9.5%
Wayne	3,351,925	5.1%	504,122	0.8%	6,635,749	10.0%	6,153,320	9.3%
Webster	743,691	5.4%	228,320	1.7%	970,135	7.0%	1,479,576	10.7%
Wetzel	1,533,414	5.2%	302,028	1.0%	3,509,042	11.9%	2,340,466	7.9%
Wirt	318,434	3.5%	188,717	2.1%	876,339	9.6%	970,144	10.6%
Wood	6,475,203	5.2%	2,391,252	1.9%	13,550,406	10.9%	7,685,984	6.2%
Wyoming	2,305,140	5.6%	640,740	1.6%	4,362,067	10.5%	3,240,278	7.8%
<b>Total</b>	<b>133,586,264</b>	<b>5.1%</b>	<b>45,731,680</b>	<b>1.8%</b>	<b>288,798,203</b>	<b>11.0%</b>	<b>214,482,088</b>	<b>8.2%</b>

OSF3  
03/23/09  
Current Exp by

**COUNTY BOARDS OF EDUCATION  
EXPENDITURES FOR CURRENT OPERATIONS  
CLASSIFIED BY FUNCTION  
FOR THE 2007-08 YEAR**

County	Support Services				Total Expenditures Current Operations
	Food Service Operations		Community Service Operations		
	Amount	Pct.	Amount	Pct.	
Barbour	1,231,161	5.8%	-	0.0%	\$ 21,200,273
Berkeley	8,686,373	5.8%	853,285	0.6%	149,772,686
Boone	2,957,055	6.3%	1,000	0.0%	46,982,695
Braxton	1,284,499	5.9%	38,406	0.2%	21,743,130
Brooke	1,657,822	5.2%	136,711	0.4%	32,154,957
Cabell	7,175,281	6.2%	1,662,374	1.5%	114,901,370
Calhoun	623,114	6.2%	24,514	0.3%	9,992,057
Clay	1,544,318	8.0%	52,585	0.3%	19,269,437
Doddridge	742,562	5.6%	14,084	0.1%	13,178,971
Fayette	3,671,601	5.7%	86,087	0.1%	64,709,661
Gilmer	566,998	5.9%	20,000	0.2%	9,572,043
Grant	1,194,072	7.3%	65	0.0%	16,267,261
Greenbrier	3,046,971	6.0%	97,753	0.2%	50,419,860
Hampshire	1,942,007	6.2%	91	0.0%	31,339,962
Hancock	1,678,159	4.3%	124,833	0.3%	39,261,414
Hardy	1,379,295	7.3%	247,548	1.3%	18,934,148
Harrison	5,667,056	5.5%	200,916	0.2%	102,509,101
Jackson	2,328,768	5.2%	79,823	0.2%	44,736,135
Jefferson	4,086,324	5.5%	75,000	0.1%	74,734,583
Kanawha	18,226,087	6.9%	4,828,170	1.8%	266,053,865
Lewis	1,615,774	6.3%	117,161	0.5%	25,545,357
Lincoln	2,300,465	6.5%	102,125	0.3%	35,508,337
Logan	3,264,060	5.7%	165,812	0.3%	57,319,958
Marion	4,048,907	5.0%	115,187	0.1%	80,611,966
Marshall	2,871,075	5.6%	56,223	0.1%	51,672,859
Mason	2,630,281	6.3%	40,000	0.1%	41,552,640
McDowell	2,224,653	5.7%	43,017	0.1%	39,247,963
Mercer	5,918,687	6.4%	214,205	0.2%	91,869,145
Mineral	2,699,173	6.3%	60,000	0.1%	42,990,842
Mingo	2,312,673	5.1%	123,944	0.3%	45,642,886
Monongalia	4,883,307	5.1%	521,606	0.5%	96,706,038
Monroe	1,007,896	5.3%	524,131	2.8%	18,998,145
Morgan	1,652,741	6.9%	74,433	0.3%	23,923,545
Nicholas	2,273,208	5.9%	81,101	0.2%	38,662,622
Ohio	2,671,435	5.2%	441,599	0.9%	51,165,226
Pendleton	673,668	6.1%	8,000	0.1%	11,083,710
Pleasants	783,880	5.4%	24,687	0.2%	14,492,975
Pocahontas	618,843	5.1%	13,000	0.1%	12,248,326
Preston	1,924,409	4.9%	1,110	0.0%	39,217,672
Putnam	5,385,114	6.5%	157,682	0.2%	82,434,309
Raleigh	6,622,483	6.0%	590,667	0.5%	111,253,637
Randolph	2,341,793	6.4%	-	0.0%	36,886,700
Ritchie	954,553	5.9%	34,469	0.2%	16,171,276
Roane	1,439,795	6.5%	23,138	0.1%	22,262,492
Summers	865,883	6.0%	101,378	0.7%	14,355,437
Taylor	1,174,824	5.6%	44,675	0.2%	21,143,274
Tucker	684,974	6.3%	-	0.0%	10,859,765
Tyler	920,910	5.8%	38,625	0.2%	15,858,928
Upshur	1,769,492	5.0%	82,700	0.2%	35,185,173
Wayne	3,995,019	6.0%	42,190	0.1%	66,187,601
Webster	735,104	5.3%	13,500	0.1%	13,827,357
Wetzel	1,561,589	5.3%	25,825	0.1%	29,496,464
Wirt	537,790	5.9%	1,748	0.0%	9,158,220
Wood	7,295,673	5.9%	467,083	0.4%	123,959,681
Wyoming	2,601,789	6.3%	71,346	0.2%	41,425,315
<b>Total</b>	<b>154,951,439</b>	<b>5.9%</b>	<b>12,965,610</b>	<b>0.5%</b>	<b>\$2,616,659,447</b>

OSF3  
03/23/09  
Current Exp by



**COUNTY BOARDS OF EDUCATION  
PER PUPIL EXPENDITURES FOR CURRENT OPERATIONS  
FOR THE 2007-08 YEAR**

County	Per Pupil Headcount Enrollment
Barbour	8,266.98
Berkeley	8,676.41
Boone	10,011.19
Braxton	9,353.92
Brooke	9,001.37
Cabell	8,934.54
Calhoun	9,091.99
Clay	9,368.56
Doddridge	10,463.31
Fayette	9,284.10
Gilmer	10,555.51
Grant	8,220.04
Greenbrier	9,424.45
Hampshire	8,199.75
Hancock	9,000.99
Hardy	7,918.84
Harrison	9,070.38
Jackson	8,880.35
Jefferson	8,855.08
Kanawha	8,884.28
Lewis	9,274.34
Lincoln	9,877.53
Logan	8,667.14
Marion	9,631.84
Marshall	10,242.63
Mason	9,090.60
McDowell	10,245.79
Mercer	8,965.98
Mineral	9,233.89
Mingo	9,677.29
Monongalia	9,135.44
Monroe	9,308.33
Morgan	8,649.44
Nicholas	9,260.52
Ohio	9,424.16
Pendleton	9,575.24
Pleasants	10,794.53
Pocahontas	10,077.47
Preston	8,396.33
Putnam	8,660.60
Raleigh	8,769.71
Randolph	8,129.02
Ritchie	10,182.01
Roane	8,722.56
Summers	8,734.12
Taylor	8,497.52
Tucker	9,299.01
Tyler	10,429.67
Upshur	8,886.44
Wayne	8,494.50
Webster	8,562.45
Wetzel	9,751.41
Wirt	9,096.85
Wood	8,985.92
Wyoming	9,883.93
<b>Total</b>	<b>9,054.11</b>

Notes: (a) The methodology used for calculating expenditures on a per pupil basis conforms with the methodology used by the National Center for Education Statistics (NCES). (b) The enrollments used are second month student (headcount) enrollments. (c) All expenditures by county boards are included except those for capital improvements, debt service, community services, adult education and transits/transfers. (d) Also, not included is the portion of the legislative appropriation for the Teachers' Retirement System in excess of the employers' contribution rates of 7.5% or 15%, depending on the retirement plan, which is considered to be the State's annual required contribution towards the past service unfunded liability. (e) RESA expenditures are not included and expenditures of the seven MCVCs are allocated among the 20 county boards served by each MCVC.

OSF  
01/20/09  
Per Pupil Expenditures 2008

**COUNTY BOARDS OF EDUCATION  
EXPENDITURES FOR SALARIES AND EMPLOYEE BENEFITS  
FOR THE 2007-08 YEAR**

County	Regular Prof Pers Salaries	Regular Serv Pers Salaries	Substitute Prof Pers Salaries	Substitute Serv Pers Salaries	Temporary Part-time Prof Pers	Temporary Part-time Serv Pers
Barbour	\$ 9,524,867	\$ 2,943,807	\$ 258,420	\$ 137,569	-	-
Berkeley	68,347,025	21,554,555	1,827,349	1,277,272	488,340	-
Boone	20,250,072	6,215,932	1,083,702	708,066	-	-
Braxton	9,834,840	2,960,389	366,171	130,749	-	-
Brooke	14,328,766	4,405,156	480,911	274,958	-	5,550
Cabell	49,448,099	15,201,520	1,562,859	561,573	347,082	183,353
Calhoun	4,772,253	1,530,410	135,807	49,554	39,116	-
Clay	8,224,850	2,775,568	87,551	169,245	-	-
Doddridge	5,316,072	1,825,454	263,032	85,692	4,644	-
Fayette	27,980,556	8,831,044	1,254,042	550,061	46,861	13,332
Gilmer	3,904,055	1,228,778	115,738	39,406	19,142	34,486
Grant	7,778,774	2,507,665	244,149	128,824	3,000	41,538
Greenbrier	20,745,606	7,173,497	1,165,720	589,089	41,648	-
Hampshire	13,418,310	4,489,832	671,887	264,746	3,600	41,565
Hancock	18,189,336	5,447,875	780,269	113,990	68,618	-
Hardy	8,155,269	2,520,427	329,686	122,815	102,620	23,809
Harrison	45,739,918	14,851,447	1,417,455	609,850	67,326	75,454
Jackson	20,588,530	6,799,555	691,928	372,974	31,650	72,604
Jefferson	31,281,903	10,683,020	1,592,984	1,016,866	-	119,250
Kanawha	118,749,106	37,231,694	3,184,355	1,671,786	1,130,939	1,920,818
Lewis	10,525,654	3,816,502	350,510	233,666	49,653	2,090
Lincoln	14,205,373	4,640,984	990,666	398,023	-	-
Logan	24,627,402	8,515,393	705,064	358,544	107,535	164,816
Marion	34,227,505	11,204,758	1,508,441	819,948	95	-
Marshall	22,113,865	7,513,529	663,170	470,007	185	75
Mason	16,545,112	5,829,689	1,590,093	389,325	259,211	350
McDowell	15,798,552	6,024,141	1,161,697	325,545	48,780	3,801
Mercer	36,634,791	11,428,585	2,236,900	928,882	-	-
Mineral	18,368,158	6,055,366	543,630	476,222	46,374	133,883
Mingo	19,051,335	6,148,630	1,107,854	605,078	30,110	125,105
Monongalia	41,650,279	13,247,925	1,556,620	816,625	105,727	177,203
Monroe	7,580,197	3,044,743	304,288	204,216	320	16,200
Morgan	10,054,210	3,305,558	303,804	185,871	24,873	26,585
Nicholas	16,748,147	5,512,730	528,643	283,261	3,283	95,365
Ohio	22,311,776	6,890,439	780,530	447,522	8,083	17,743
Pendleton	4,713,251	1,599,510	120,297	46,274	-	5,880
Pleasants	6,506,991	2,349,360	209,364	150,662	-	-
Pocahontas	4,963,948	2,046,038	334,268	95,867	-	-
Preston	17,602,694	5,247,989	788,218	238,982	-	-
Putnam	37,384,221	11,387,848	1,805,198	630,075	141,958	-
Raleigh	48,086,709	13,871,848	2,364,916	1,194,111	29,705	68,329
Randolph	17,355,771	4,855,458	588,009	279,698	4,158	-
Ritchie	6,644,476	2,306,128	227,991	121,434	45,107	-
Roane	9,300,629	3,444,312	422,334	127,782	-	-
Summers	6,314,739	1,888,089	311,749	63,252	30,785	-
Taylor	9,174,736	2,911,568	402,915	216,765	-	11,525
Tucker	4,418,259	1,591,033	166,546	64,543	2,512	-
Tyler	6,795,269	2,105,674	202,061	113,408	-	-
Upshur	15,451,115	4,605,569	604,829	205,708	1,296	-
Wayne	28,142,622	9,478,025	997,863	642,184	6,320	(255)
Webster	6,345,420	2,193,066	112,248	66,174	-	-
Wetzel	12,759,304	3,783,030	547,636	197,285	-	-
Wirt	3,872,843	1,179,833	214,370	68,333	-	-
Wood	52,797,742	17,824,603	2,367,429	1,140,967	864,890	796,430
Wyoming	18,157,960	5,378,382	702,752	440,018	-	-
<b>Total</b>	<b>\$1,133,809,262</b>	<b>\$364,403,960</b>	<b>\$45,336,918</b>	<b>\$21,921,342</b>	<b>\$4,205,546</b>	<b>\$4,176,884</b>

OSF  
03/13/09  
PersExp08

**COUNTY BOARDS OF EDUCATION  
EXPENDITURES FOR SALARIES AND EMPLOYEE BENEFITS  
FOR THE 2007-08 YEAR**

County	Board Members Salaries	Students Salaries	Health Insurance	Social Security Contributions	Retirement Contributions	Tuition Reimbursement
Barbour	\$ 25,280	\$ 9,432	\$ 2,127,583	\$ 948,642	\$ 1,341,078	8,409
Berkeley	24,480	11,447	13,276,767	6,996,950	8,389,885	71,584
Boone	39,680	3,152	4,183,725	2,126,375	2,810,959	32,454
Braxton	26,720	8,389	2,286,999	976,764	1,271,140	11,596
Brooke	27,040	2,808	3,279,248	1,440,052	2,037,264	-
Cabell	39,855	10,838	10,548,834	5,014,750	6,753,287	16,754
Calhoun	20,160	27,097	1,043,988	483,192	680,662	3,374
Clay	20,800	18,938	1,843,493	827,329	1,106,069	-
Doddridge	27,840	-	1,221,457	556,382	779,435	5,340
Fayette	41,319	-	6,921,126	2,857,068	3,711,707	15,571
Gilmer	30,080	1,317	843,099	403,666	513,536	6,699
Grant	24,960	3,831	1,693,294	796,100	1,044,559	-
Greenbrier	29,120	26,126	5,122,086	2,200,295	3,016,369	2,079
Hampshire	32,320	5,793	2,902,916	1,398,754	1,812,498	9,095
Hancock	36,640	-	3,591,347	1,836,333	2,640,869	3,263
Hardy	31,520	-	1,673,099	835,850	1,084,647	17,050
Harrison	36,320	-	9,415,608	4,632,240	6,527,832	-
Jackson	20,800	58,242	4,578,418	2,122,040	2,882,616	6,214
Jefferson	40,000	5,708	6,851,603	3,317,791	4,102,260	-
Kanawha	39,840	27,832	24,681,302	12,040,472	15,769,915	20,047
Lewis	29,280	-	2,283,587	1,106,952	1,479,297	6,861
Lincoln	17,120	8,062	3,052,306	1,496,534	2,141,577	-
Logan	22,080	9,672	5,447,580	2,559,813	3,563,498	12,082
Marion	32,640	-	7,612,511	3,523,910	4,640,615	174
Marshall	30,880	-	5,039,978	2,303,810	3,300,740	-
Mason	40,000	1,156	3,844,465	1,826,627	2,287,608	-
McDowell	18,560	-	3,271,156	1,771,755	2,648,533	27,694
Mercer	21,440	-	7,946,738	3,883,841	5,457,525	173,650
Mineral	34,560	9,893	3,843,513	1,906,340	2,688,635	21,976
Mingo	15,680	7,349	3,995,404	2,037,075	2,665,791	5,650
Monongalia	33,120	-	9,384,313	4,283,222	5,738,179	2,222
Monroe	21,080	40,732	1,855,714	829,393	1,041,953	7,856
Morgan	19,040	-	2,189,841	1,033,041	1,280,887	44,616
Nicholas	31,680	961	3,917,164	1,712,609	2,395,036	-
Ohio	27,840	-	4,815,953	2,252,886	3,135,411	10,644
Pendleton	18,080	-	1,069,675	473,574	740,958	633
Pleasants	29,280	-	1,431,020	684,211	1,006,979	-
Pocahontas	26,720	-	1,173,485	552,167	729,138	540
Preston	22,240	(1,347)	3,645,510	1,763,192	2,510,018	-
Putnam	19,200	-	7,539,625	3,808,749	5,031,657	20,160
Raleigh	32,160	-	10,183,503	4,884,759	6,377,766	61,235
Randolph	24,200	-	3,413,357	1,697,077	2,553,721	10,582
Ritchie	22,080	78,349	1,328,833	698,167	913,256	-
Roane	11,520	2,580	2,182,547	974,092	1,393,022	-
Summers	32,320	-	1,368,844	651,750	923,956	4,946
Taylor	33,700	-	2,185,070	938,505	1,411,956	1,302
Tucker	17,440	-	1,065,795	461,931	651,088	-
Tyler	22,400	-	1,560,387	681,205	1,002,055	17,779
Upshur	21,600	-	3,332,120	1,553,014	2,224,618	14,970
Wayne	15,360	9,636	6,686,764	2,778,801	3,600,647	36,617
Webster	21,120	-	1,341,473	651,854	903,748	3,231
Wetzel	24,800	-	2,679,781	1,275,987	1,881,153	500
Wirt	16,800	13,071	965,303	395,974	507,134	6,373
Wood	26,400	15,565	11,032,404	5,712,220	7,852,898	147,113
Wyoming	24,320	-	3,985,340	1,883,814	2,835,634	30,478
<b>Total</b>	<b>\$1,471,514</b>	<b>\$416,629</b>	<b>\$244,757,051</b>	<b>\$116,859,896</b>	<b>\$157,793,274</b>	<b>\$899,413</b>

OSF  
03/13/09  
PersExp08

**COUNTY BOARDS OF EDUCATION  
EXPENDITURES FOR SALARIES AND EMPLOYEE BENEFITS  
FOR THE 2007-08 YEAR**

County	Unemployment Compensation	Workers Compensation	Other Employee Benefits	Total Salary Expenditures	Total Employee Benefit Expenditures	Total Expenditures
Barbour	\$ 2,340	\$ 153,293	-	\$ 12,899,375	\$ 4,581,345	\$ 17,480,720
Berkeley	28,941	767,374	-	93,530,468	29,531,501	123,061,969
Boone	8,645	428,641	-	28,300,604	9,590,799	37,891,403
Braxton	9,339	111,228	-	13,327,258	4,667,066	17,994,324
Brooke	19,142	312,383	-	19,525,189	7,088,089	26,613,278
Cabell	26,925	976,469	42,000	67,355,179	23,379,019	90,734,198
Calhoun	5,774	45,791	-	6,574,397	2,262,781	8,837,178
Clay	7,002	170,586	-	11,296,952	3,954,479	15,251,431
Doddridge	6,353	97,909	(218)	7,522,734	2,666,658	10,189,392
Fayette	11,763	434,529	-	38,717,215	13,951,764	52,668,979
Gilmer	1,301	46,109	-	5,373,002	1,814,410	7,187,412
Grant	7,747	109,674	-	10,732,741	3,651,374	14,384,115
Greenbrier	17,008	342,865	-	29,770,806	10,700,702	40,471,508
Hampshire	117	189,474	-	18,928,053	6,312,854	25,240,907
Hancock	8,243	293,280	-	24,636,728	8,373,335	33,010,063
Hardy	879	77,710	-	11,286,146	3,689,235	14,975,381
Harrison	4,517	827,779	-	62,797,770	21,407,976	84,205,746
Jackson	7,444	306,848	-	28,636,283	9,903,580	38,539,863
Jefferson	15,054	477,409	-	44,739,731	14,764,117	59,503,848
Kanawha	109,277	1,837,542	-	163,956,370	54,458,555	218,414,925
Lewis	-	176,484	167,483	15,007,355	5,220,664	20,228,019
Lincoln	22,798	418,996	134,677	20,260,228	7,266,888	27,527,116
Logan	25,478	989,695	-	34,510,506	12,598,146	47,108,652
Marion	15,716	686,846	-	47,793,387	16,479,772	64,273,159
Marshall	6,488	367,520	-	30,791,711	11,018,536	41,810,247
Mason	19,334	170,614	1,152	24,654,936	8,149,800	32,804,736
McDowell	15,750	386,178	-	23,381,076	8,121,066	31,502,142
Mercer	16,878	742,334	1,107,268	51,250,598	19,328,234	70,578,832
Mineral	11,553	231,945	-	25,668,086	8,703,962	34,372,048
Mingo	20,845	928,580	-	27,091,141	9,653,345	36,744,486
Monongalia	20,216	464,786	-	57,587,499	19,892,938	77,480,437
Monroe	5,096	95,079	6,983	11,211,776	3,842,074	15,053,850
Morgan	110	171,628	-	13,919,941	4,720,123	18,640,064
Nicholas	3,424	409,905	100	23,204,070	8,438,238	31,642,308
Ohio	830	412,385	-	30,483,933	10,628,109	41,112,042
Pendleton	4,119	42,930	-	6,503,292	2,331,889	8,835,181
Pleasants	2,840	84,174	78,077	9,245,657	3,287,301	12,532,958
Pocahontas	12,654	74,518	-	7,466,841	2,542,502	10,009,343
Preston	510	226,320	-	23,898,776	8,145,550	32,044,326
Putnam	9,520	548,142	493,154	51,368,500	17,451,007	68,819,507
Raleigh	22,580	1,402,191	-	65,647,778	22,932,034	88,579,812
Randolph	15,564	304,168	-	23,107,294	7,994,469	31,101,763
Ritchie	784	64,024	124,917	9,445,565	3,129,981	12,575,546
Roane	10,868	118,919	-	13,309,157	4,679,448	17,988,605
Summers	1,445	82,083	-	8,640,934	3,033,024	11,673,958
Taylor	11,638	103,709	-	12,751,209	4,652,180	17,403,389
Tucker	3,094	75,628	-	6,260,333	2,257,536	8,517,869
Tyler	1,514	86,263	-	9,238,812	3,349,203	12,588,015
Upshur	2,128	191,622	-	20,890,117	7,318,472	28,208,589
Wayne	7,758	723,350	-	39,291,755	13,833,937	53,125,692
Webster	4,287	80,582	-	8,738,028	2,985,175	11,723,203
Wetzel	26,345	194,206	-	17,312,055	6,057,972	23,370,027
Wirt	475	53,645	-	5,365,250	1,928,904	7,294,154
Wood	36,942	1,110,975	221,799	75,834,026	26,114,351	101,948,377
Wyoming	4,060	227,912	-	24,703,432	8,967,238	33,670,670
<b>Total</b>	<b>\$661,452</b>	<b>\$20,455,229</b>	<b>\$2,377,392</b>	<b>\$1,575,742,055</b>	<b>\$543,803,707</b>	<b>\$2,119,545,762</b>

**COUNTY BOARDS OF EDUCATION  
PROFESSIONAL PERSONNEL SUBSTITUTE SALARY EXPENDITURES AS A  
PERCENT OF REGULAR PROFESSIONAL PERSONNEL SALARY EXPENDITURES  
FOR THE 2007-08 YEAR**

County	Regular Personnel (Object 11)	Substitute Personnel (Object 13)	Percent Substitute of Regular
Barbour	\$ 9,524,867	\$ 258,420	2.7%
Berkeley	68,347,025	1,827,349	2.7%
Boone	20,250,072	1,083,702	5.4%
Braxton	9,834,840	366,171	3.7%
Brooke	14,328,766	480,911	3.4%
Cabell	49,448,099	1,562,859	3.2%
Calhoun	4,772,253	135,807	2.8%
Clay	8,224,850	87,551	1.1%
Doddridge	5,316,072	263,032	4.9%
Fayette	27,980,556	1,254,042	4.5%
Gilmer	3,904,055	115,738	3.0%
Grant	7,778,774	244,149	3.1%
Greenbrier	20,745,606	1,165,720	5.6%
Hampshire	13,418,310	671,887	5.0%
Hancock	18,189,336	780,269	4.3%
Hardy	8,155,269	329,686	4.0%
Harrison	45,739,918	1,417,455	3.1%
Jackson	20,588,530	691,928	3.4%
Jefferson	31,281,903	1,592,984	5.1%
Kanawha	118,749,106	3,184,355	2.7%
Lewis	10,525,654	350,510	3.3%
Lincoln	14,205,373	990,666	7.0%
Logan	24,627,402	705,064	2.9%
Marion	34,227,505	1,508,441	4.4%
Marshall	22,113,865	663,170	3.0%
Mason	16,545,112	1,590,093	9.6%
McDowell	15,798,552	1,161,697	7.4%
Mercer	36,634,791	2,236,900	6.1%
Mineral	18,368,158	543,630	3.0%
Mingo	19,051,335	1,107,854	5.8%
Monongalia	41,650,279	1,556,620	3.7%
Monroe	7,580,197	304,288	4.0%
Morgan	10,054,210	303,804	3.0%
Nicholas	16,748,147	528,643	3.2%
Ohio	22,311,776	780,530	3.5%
Pendleton	4,713,251	120,297	2.6%
Pleasants	6,506,991	209,364	3.2%
Pocahontas	4,963,948	334,268	6.7%
Preston	17,602,694	788,218	4.5%
Putnam	37,384,221	1,805,198	4.8%
Raleigh	48,086,709	2,364,916	4.9%
Randolph	17,355,771	588,009	3.4%
Ritchie	6,644,476	227,991	3.4%
Roane	9,300,629	422,334	4.5%
Summers	6,314,739	311,749	4.9%
Taylor	9,174,736	402,915	4.4%
Tucker	4,418,259	166,546	3.8%
Tyler	6,795,269	202,061	3.0%
Upshur	15,451,115	604,829	3.9%
Wayne	28,142,622	997,863	3.5%
Webster	6,345,420	112,248	1.8%
Wetzel	12,759,304	547,636	4.3%
Wirt	3,872,843	214,370	5.5%
Wood	52,797,742	2,367,429	4.5%
Wyoming	18,157,960	702,752	3.9%
<b>Total</b>	<b>\$ 1,133,809,262</b>	<b>\$ 45,336,918</b>	<b>4.0%</b>

Note: Does not include RESA expenditures.

OSF2  
03/11/09  
Salary and Sub Expenditures 08

**COUNTY BOARDS OF EDUCATION  
SERVICE PERSONNEL SUBSTITUTE SALARY EXPENDITURES AS A  
PERCENT OF REGULAR SERVICE PERSONNEL SALARY EXPENDITURES  
FOR THE 2007-08 YEAR**

County	Regular Personnel (Object 12)	Substitute Personnel (Object 14)	Percent Substitute of Regular
Barbour	\$ 2,943,807	\$ 137,569	4.7%
Berkeley	21,554,555	1,277,272	5.9%
Boone	6,215,932	708,066	11.4%
Braxton	2,960,389	130,749	4.4%
Brooke	4,405,156	274,958	6.2%
Cabell	15,201,520	561,573	3.7%
Calhoun	1,530,410	49,554	3.2%
Clay	2,775,568	169,245	6.1%
Doddridge	1,825,454	85,692	4.7%
Fayette	8,831,044	550,061	6.2%
Gilmer	1,228,778	39,406	3.2%
Grant	2,507,665	128,824	5.1%
Greenbrier	7,173,497	589,089	8.2%
Hampshire	4,489,832	264,746	5.9%
Hancock	5,447,875	113,990	2.1%
Hardy	2,520,427	122,815	4.9%
Harrison	14,851,447	609,850	4.1%
Jackson	6,799,555	372,974	5.5%
Jefferson	10,683,020	1,016,866	9.5%
Kanawha	37,231,694	1,671,786	4.5%
Lewis	3,816,502	233,666	6.1%
Lincoln	4,640,984	398,023	8.6%
Logan	8,515,393	358,544	4.2%
Marion	11,204,758	819,948	7.3%
Marshall	7,513,529	470,007	6.3%
Mason	5,829,689	389,325	6.7%
McDowell	6,024,141	325,545	5.4%
Mercer	11,428,585	928,882	8.1%
Mineral	6,055,366	476,222	7.9%
Mingo	6,148,630	605,078	9.8%
Monongalia	13,247,925	816,625	6.2%
Monroe	3,044,743	204,216	6.7%
Morgan	3,305,558	185,871	5.6%
Nicholas	5,512,730	283,261	5.1%
Ohio	6,890,439	447,522	6.5%
Pendleton	1,599,510	46,274	2.9%
Pleasants	2,349,360	150,662	6.4%
Pocahontas	2,046,038	95,867	4.7%
Preston	5,247,989	238,982	4.6%
Putnam	11,387,848	630,075	5.5%
Raleigh	13,871,848	1,194,111	8.6%
Randolph	4,855,458	279,698	5.8%
Ritchie	2,306,128	121,434	5.3%
Roane	3,444,312	127,782	3.7%
Summers	1,888,089	63,252	3.4%
Taylor	2,911,568	216,765	7.4%
Tucker	1,591,033	64,543	4.1%
Tyler	2,105,674	113,408	5.4%
Upshur	4,605,569	205,708	4.5%
Wayne	9,478,025	642,184	6.8%
Webster	2,193,066	66,174	3.0%
Wetzel	3,783,030	197,285	5.2%
Wirt	1,179,833	68,333	5.8%
Wood	17,824,603	1,140,967	6.4%
Wyoming	5,378,382	440,018	8.2%
<b>Total</b>	<b>\$ 364,403,960</b>	<b>\$ 21,921,342</b>	<b>6.0%</b>

Note: Does not include RESA expenditures.

OSF2

03/11/09

Salary and Sub Expenditures 08

**COUNTY BOARDS OF EDUCATION  
EXPENDITURES FOR INSTRUCTIONAL SUPPLIES  
2007-08 YEAR**

County	General Supplies	Textbooks, Books and Periodicals	Technology-Related Supplies	Miscellaneous Supplies	Total
Barbour	220,158	277,467	65,658	-	563,283
Berkeley	2,325,776	2,544,395	71,723	31,061	4,972,955
Boone	568,117	475,510	341,808	23,231	1,408,666
Braxton	286,584	215,133	186,407	-	688,123
Brooke	519,604	302,853	19,056	-	841,512
Cabell	3,641,593	1,530,718	154	-	5,172,465
Calhoun	235,556	22,585	17,697	3,157	278,994
Clay	381,689	143,808	-	-	525,497
Doddridge	154,572	185,555	8,907	-	349,034
Fayette	899,475	895,850	535,544	223	2,331,092
Gilmer	207,822	110,584	25,623	-	344,029
Grant	143,385	221,610	50,617	1,621	417,233
Greenbrier	490,613	841,389	6,628	2,765	1,341,394
Hampshire	402,509	415,439	375	7,966	826,289
Hancock	331,621	363,845	229,002	-	924,468
Hardy	230,601	160,100	8,892	547	400,140
Harrison	2,210,338	1,375,148	1,241,241	221	4,826,949
Jackson	695,822	318,116	29,668	5,534	1,049,139
Jefferson	1,241,007	1,077,974	109,126	6,981	2,435,088
Kanawha	3,101,519	3,587,075	3,143,245	3,341	9,835,180
Lewis	571,670	277,142	412,052	4,328	1,265,192
Lincoln	587,635	478,391	20,023	11,196	1,097,245
Logan	833,389	641,406	280,985	52,284	1,808,065
Marion	1,830,821	881,775	1,857,557	-	4,570,153
Marshall	783,032	541,178	70,702	-	1,394,912
Mason	1,004,699	422,282	115,830	302	1,543,114
McDowell	1,098,785	507,259	237,452	242	1,843,738
Mercer	1,310,357	599,892	325,399	122	2,235,770
Mineral	607,784	441,642	66,598	-	1,116,025
Mingo	478,956	894,020	71,648	-	1,444,624
Monongalia	1,714,281	1,588,620	10,183	2,827	3,315,910
Monroe	333,019	257,193	147,010	1,165	738,387
Morgan	321,640	288,573	59,191	-	669,405
Nicholas	719,490	359,042	67,650	-	1,146,182
Ohio	758,111	174,898	-	-	933,009
Pendleton	115,872	103,789	38,954	154	258,768
Pleasants	241,200	129,596	145,965	2,046	518,806
Pocahontas	220,950	107,622	2,049	-	330,622
Preston	583,298	387,036	133,536	-	1,103,869
Putnam	988,029	1,059,544	89,648	-	2,137,220
Raleigh	1,081,913	1,307,923	191,103	23,769	2,604,708
Randolph	339,085	423,610	86,673	-	849,367
Ritchie	269,514	159,545	68,630	600	498,288
Roane	294,194	175,960	82,709	-	552,864
Summers	150,605	266,768	9,338	2,168	428,879
Taylor	355,354	264,876	80,509	-	700,739
Tucker	210,268	84,074	9,265	-	303,607
Tyler	277,201	176,591	140,141	-	593,933
Upshur	494,527	394,489	255,775	-	1,144,790
Wayne	587,118	1,003,912	101,952	2,827	1,695,809
Webster	217,250	153,149	6,870	-	377,268
Wetzel	409,445	332,167	248,973	1,595	992,180
Wirt	202,198	75,159	3,138	-	280,496
Wood	1,301,056	1,708,798	128,530	-	3,138,383
Wyoming	1,008,892	611,765	113,325	4,490	1,738,472
<b>Total</b>	<b>40,589,996</b>	<b>32,344,839</b>	<b>11,770,733</b>	<b>196,764</b>	<b>84,902,332</b>

Note: RESA expenditures are not included.

OSF3

03/30/09

Instructional supplies 08

**COUNTY BOARDS OF EDUCATION  
TOTAL EXPENDITURES - ARRANGED  
IN DESCENDING ORDER  
2007-08 YEAR**

Ct.	County	Current Operations	Capital Outlay	Debt Service	Total
1.	Kanawha	266,053,865	16,930,452	--	282,984,317
2.	Berkeley	149,772,686	2,023,034	4,146,810	155,942,531
3.	Wood	123,959,681	26,792,838	3,124,050	153,876,570
4.	Cabell	114,901,370	32,879,419	5,593,812	153,374,602
5.	Raleigh	111,253,637	10,807,741	2,870,594	124,931,972
6.	Monongalia	96,706,038	24,911,768	--	121,617,806
7.	Harrison	102,509,101	1,362,629	--	103,871,730
8.	Jefferson	74,734,583	14,565,568	3,362,530	92,662,681
9.	Mercer	91,869,145	--	--	91,869,145
10.	Putnam	82,434,309	8,305,252	--	90,739,562
11.	Marion	80,611,966	428,212	981,200	82,021,379
12.	Fayette	64,709,661	5,561,890	--	70,271,550
13.	Wayne	66,187,601	3,080,796	--	69,268,397
14.	Marshall	51,672,859	9,181,762	2,487,617	63,342,238
15.	Logan	57,319,958	2,717,633	--	60,037,591
16.	Mason	41,552,640	12,578,934	1,615,793	55,747,367
17.	McDowell	39,247,963	14,761,419	--	54,009,382
18.	Ohio	51,165,226	1,368,798	1,210,944	53,744,967
19.	Greenbrier	50,419,860	--	--	50,419,860
20.	Boone	46,982,695	--	--	46,982,695
21.	Mingo	45,642,886	508,773	--	46,151,659
22.	Jackson	44,736,135	125,050	--	44,861,185
23.	Mineral	42,990,842	1,622,721	--	44,613,563
24.	Wyoming	41,425,315	497,618	696,639	42,619,572
25.	Hancock	39,261,414	--	--	39,261,414
26.	Preston	39,217,672	--	--	39,217,672
27.	Upshur	35,185,173	3,862,650	--	39,047,823
28.	Nicholas	38,662,622	--	--	38,662,622
29.	Randolph	36,886,700	571,858	--	37,458,558
30.	Lincoln	35,508,337	94,758	--	35,603,094
31.	Brooke	32,154,957	38,435	1,417,900	33,611,292
32.	Hampshire	31,339,962	297,152	478,591	32,115,705
33.	Wetzel	29,496,464	46,503	--	29,542,966
34.	Lewis	25,545,357	2,876,958	--	28,422,315
35.	Hardy	18,934,148	5,980,653	--	24,914,800
36.	Morgan	23,923,545	919,831	--	24,843,376
37.	Roane	22,262,492	--	293,298	22,555,790
38.	Taylor	21,143,274	338,407	921,235	22,402,916
39.	Barbour	21,200,273	137,060	1,049,740	22,387,073
40.	Braxton	21,743,130	--	--	21,743,130
41.	Clay	19,269,437	620,726	--	19,890,162
42.	Monroe	18,998,145	41,940	201,432	19,241,517
43.	Grant	16,267,261	2,640,416	68,148	18,975,825
44.	Doddridge	13,178,971	4,944,393	759,886	18,883,249
45.	Webster	13,827,357	2,888,690	--	16,716,047
46.	Summers	14,355,437	2,062,659	--	16,418,096
47.	Ritchie	16,171,276	144,576	--	16,315,853
48.	Tyler	15,858,928	--	--	15,858,928
49.	Pendleton	11,083,710	3,580,785	--	14,664,495
50.	Pleasants	14,492,975	--	--	14,492,975
51.	Pocahontas	12,248,326	--	--	12,248,326
52.	Tucker	10,859,765	897,819	--	11,757,584
53.	Calhoun	9,992,057	--	--	9,992,057
54.	Gilmer	9,572,043	--	--	9,572,043
55.	Wirt	9,158,220	30,168	--	9,188,388
-	State	2,616,659,447	224,028,742	31,280,220	2,871,968,409

Note: Excludes expenditures of Regional Education Service Agencies (RESAs) and Multi-County Vocational Centers (MCVCs)

OSF3  
03/23/09  
Current Exp by Function 08



**Special Funding  
for the  
Education of Students  
with Exceptionalities  
in West Virginia  
for School Year 2008-2009**

The following pages list the special funds available through the West Virginia Department of Education, Office of Special Programs, Extended and Early Learning for the expansion, improvement and maintenance of special education and related services for students with exceptionalities in West Virginia. Both state and federal dollars are shown.

It should be noted these figures do not include funds that are received and administered by other agencies and organizations. County school districts, colleges and universities may also receive direct federal grants for special projects.

**Aid for Exceptional Students  
State Account 1314-159  
FY – 09**

**DATA NOTES**

- (1) Base is equal to 1/3 of \$5,016,340 (aid to counties) divided equally among the 55 counties
- (2) 2007-2008 unduplicated count of exceptional students from Second Month Report.
- (3) Per Student Base
- (4) Remaining 2/3 allocated per exceptional student (\$64.9264 per student).
- (5) Subtotal of the aid to counties portion of the allocation [(1) + (4)].
- (6) Preschool base of \$10,000 per county school district.
- (7) December 1, 2007 child count of 3-5 year old preschool children with disabilities.
- (8) Per Student Base (Preschool)
- (9) Remaining \$470,482 allocated per preschool child with disabilities (\$80.7002 per child).
- (10) Preschool subtotal [(6) + (9)].
- (11) Total entitlement of \$6,036,822 [(5) + (10)].

**TABLE 4**  
**COUNTY BOARDS OF EDUCATION**  
**SPECIAL EDUCATION - STATE ALLOCATION**  
**0314-159 SCHOOL AGE AND PRE SCHOOL**  
**FOR THE 2008-09 YEAR**

NAME	FUND	ACT	SCHOOL AGE BASE	EXCEPT STUDENTS	PER STUDENT BASE	PER STUDENT	SCHOOL AGE SUB-TOTAL	PRE- SCHOOL BASE	PRE- SCHOOL STUDENTS	PER STUDENT BASE	PER STUDENT	PRE- SCHOOL SUBTOTAL	TOTAL ALLOCATION
BARBOUR	0314	159	30,402	489	64.9264	31,749	62,151	10,000.00	41	80.7002	3,309	13,309	75,460
BERKELEY	0314	159	30,402	2,907	64.9264	188,741	219,143	10,000.00	307	80.7002	24,775	34,775	253,918
BOONE	0314	159	30,402	914	64.9264	59,343	89,745	10,000.00	94	80.7002	7,586	17,586	107,331
BRAXTON	0314	159	30,402	440	64.9264	28,568	58,970	10,000.00	82	80.7002	6,617	16,617	75,587
BROOKE	0314	159	30,402	762	64.9264	49,474	79,876	10,000.00	84	80.7002	6,779	16,779	96,655
CABELL	0314	159	30,402	2,043	64.9264	132,645	163,047	10,000.00	237	80.7002	19,126	29,126	192,173
CALHOUN	0314	159	30,402	192	64.9264	12,466	42,868	10,000.00	33	80.7002	2,663	12,663	55,531
CLAY	0314	159	30,402	380	64.9264	24,672	55,074	10,000.00	56	80.7002	4,519	14,519	69,593
DODDRIDGE	0314	159	30,402	255	64.9264	16,556	46,958	10,000.00	22	80.7002	1,775	11,775	58,733
FAYETTE	0314	159	30,402	1,059	64.9264	68,757	99,159	10,000.00	141	80.7002	11,379	21,379	120,538
GILMER	0314	159	30,402	155	64.9264	10,064	40,466	10,000.00	19	80.7002	1,533	11,533	51,999
GRANT	0314	159	30,402	431	64.9264	27,983	58,385	10,000.00	49	80.7002	3,954	13,954	72,339
GREENBRIER	0314	159	30,402	1,027	64.9264	66,679	97,081	10,000.00	112	80.7002	9,038	19,038	116,119
HAMPSHIRE	0314	159	30,402	686	64.9264	44,540	74,942	10,000.00	56	80.7002	4,519	14,519	89,461
HANCOCK	0314	159	30,402	858	64.9264	55,707	86,109	10,000.00	107	80.7002	8,635	18,635	104,744
HARDY	0314	159	30,402	359	64.9264	23,309	53,711	10,000.00	49	80.7002	3,954	13,954	67,665
HARRISON	0314	159	30,402	2,154	64.9264	139,851	170,253	10,000.00	286	80.7002	23,080	33,080	203,333
JACKSON	0314	159	30,402	908	64.9264	58,953	89,355	10,000.00	168	80.7002	13,558	23,558	112,913
JEFFERSON	0314	159	30,402	1,366	64.9264	88,689	119,091	10,000.00	127	80.7002	10,249	20,249	139,340
KANAWHA	0314	159	30,402	5,110	64.9264	331,774	362,176	10,000.00	452	80.7002	36,476	46,476	408,652
LEWIS	0314	159	30,402	576	64.9264	37,398	67,800	10,000.00	62	80.7002	5,003	15,003	82,803
LINCOLN	0314	159	30,402	722	64.9264	46,877	77,279	10,000.00	85	80.7002	6,860	16,860	94,139
LOGAN	0314	159	30,402	955	64.9264	62,005	92,407	10,000.00	94	80.7002	7,586	17,586	109,993
MARION	0314	159	30,402	1,410	64.9264	91,546	121,948	10,000.00	153	80.7002	12,347	22,347	144,295
MARSHALL	0314	159	30,402	1,108	64.9264	71,938	102,340	10,000.00	127	80.7002	10,249	20,249	122,589
MASON	0314	159	30,402	853	64.9264	55,382	85,784	10,000.00	154	80.7002	12,428	22,428	108,212
MCDOWELL	0314	159	30,402	679	64.9264	44,085	74,487	10,000.00	46	80.7002	3,712	13,712	88,199
MERCER	0314	159	30,402	1,471	64.9264	95,507	125,909	10,000.00	173	80.7002	13,961	23,961	149,870
MINERAL	0314	159	30,402	876	64.9264	56,876	87,278	10,000.00	116	80.7002	9,361	19,361	106,639
MINGO	0314	159	30,402	803	64.9264	52,136	82,538	10,000.00	119	80.7002	9,603	19,603	102,141
MONONGALIA	0314	159	30,402	1,926	64.9264	125,048	155,450	10,000.00	95	80.7002	7,667	17,667	173,117
MONROE	0314	159	30,402	333	64.9264	21,620	52,022	10,000.00	39	80.7002	3,147	13,147	65,169
MORGAN	0314	159	30,402	427	64.9264	27,724	58,126	10,000.00	51	80.7002	4,116	14,116	72,242
NICHOLAS	0314	159	30,402	817	64.9264	53,045	83,447	10,000.00	63	80.7002	5,084	15,084	98,531
OHIO	0314	159	30,402	1,066	64.9264	69,212	99,614	10,000.00	182	80.7002	14,687	24,687	124,301
PENDLETON	0314	159	30,402	279	64.9264	18,114	48,516	10,000.00	34	80.7002	2,744	12,744	61,260
PLEASANTS	0314	159	30,402	267	64.9264	17,335	47,737	10,000.00	40	80.7002	3,228	13,228	60,965
POCAHONTAS	0314	159	30,402	251	64.9264	16,297	46,699	10,000.00	42	80.7002	3,389	13,389	60,088
PRESTON	0314	159	30,402	956	64.9264	62,070	92,472	10,000.00	89	80.7002	7,182	17,182	109,654
PUTNAM	0314	159	30,402	1,721	64.9264	111,738	142,140	10,000.00	163	80.7002	13,154	23,154	165,294
RALEIGH	0314	159	30,402	1,977	64.9264	128,359	158,761	10,000.00	238	80.7002	19,207	29,207	187,968
RANDOLPH	0314	159	30,402	848	64.9264	55,058	85,460	10,000.00	102	80.7002	8,231	18,231	103,691
RITCHIE	0314	159	30,402	321	64.9264	20,841	51,243	10,000.00	50	80.7002	4,035	14,035	65,278
ROANE	0314	159	30,402	492	64.9264	31,944	62,346	10,000.00	77	80.7002	6,214	16,214	78,560
SUMMERS	0314	159	30,402	275	64.9264	17,855	48,257	10,000.00	36	80.7002	2,905	12,905	61,162
TAYLOR	0314	159	30,402	400	64.9264	25,971	56,373	10,000.00	61	80.7002	4,923	14,923	71,296
TUCKER	0314	159	30,402	186	64.9264	12,076	42,478	10,000.00	24	80.7002	1,937	11,937	54,415
TYLER	0314	159	30,402	369	64.9264	23,958	54,360	10,000.00	31	80.7002	2,502	12,502	66,862
UPSHUR	0314	159	30,402	761	64.9264	49,409	79,811	10,000.00	62	80.7002	5,003	15,003	94,814
WAYNE	0314	159	30,402	1,520	64.9264	98,688	129,090	10,000.00	212	80.7002	17,108	27,108	156,198
WEBSTER	0314	159	30,402	259	64.9264	16,816	47,218	10,000.00	16	80.7002	1,295	11,295	58,513
WETZEL	0314	159	30,402	659	64.9264	42,786	73,188	10,000.00	91	80.7002	7,344	17,344	90,532
WIRT	0314	159	30,402	144	64.9264	9,349	39,751	10,000.00	25	80.7002	2,018	12,018	51,769
WOOD	0314	159	30,402	2,455	64.9264	159,394	189,796	10,000.00	242	80.7002	19,529	29,529	219,325
WYOMING	0314	159	30,402	851	64.9264	55,252	85,654	10,000.00	114	80.7002	9,200	19,200	104,854
<b>TOTAL</b>			<b>1,672,110</b>	<b>51,508</b>		<b>3,344,229</b>	<b>5,016,339</b>	<b>550,000</b>	<b>5,830</b>		<b>470,483</b>	<b>1,020,483</b>	<b>6,036,822</b>

STATE FUNDING FOR THE EDUCATION OF STUDENTS WITH EXCEPTIONALITIES  
IN  
WEST VIRGINIA FOR SCHOOL YEAR 2008-2009

SOURCE	PURPOSE	DISTRIBUTION	AMOUNT
<b>0314-159 Aid for Exceptional Students</b>			
County Grant Awards	To provide funding which may be expended by county boards of education for the initiation, maintenance and/or improvement of special education programs for school-age and preschool students with exceptionalities.	See Attachment	\$6,036,822.00
RESA Special Education Support	To assist county school districts in the planning, implementation and provision of special education and related services to exceptional students and to provide leadership to targeted schools in improving results for students with disabilities.	\$47,000 per RESA	\$ 376,000.00
Out-of-County Reimbursement	To provide partial reimbursement to counties for the provision of special education and related services to students placed in facilities operated or supported by the Department of Health and Human Resources and the Department of Corrections.	End-of-year reimbursement; based on number of students placed and available funding.	\$ 558,935.00
Out-of-State Instruction	To provide partial funding for students and youth with severe disabilities who are served in out-of-state placements.	Bi-annual reimbursement program; based on cost of placement, number of districts applying and available dollars.	\$ 300,000.00
	<b>Sub-total</b>		<b>\$7,271,757.00</b>

STATE FUNDING FOR THE EDUCATION OF STUDENTS WITH EXCEPTIONALITIES (continued)  
IN  
WEST VIRGINIA FOR SCHOOL YEAR 2008-2009

SOURCE	PURPOSE	DISTRIBUTION	AMOUNT
<b>0314-160 Aid for Exceptional Students</b>			
State Department Administration	Department of Education personnel salaries and None expenses.		\$ 490,000.00
Special State Projects	Office of Institutional Education Programs		\$2,668,684.38
	To assist in the support of Medicaid and gifted administration costs.		\$ 22,500.00
<b>0313-099 State Dept Unclassified</b>			
	Gifted education, dispute resolution options and implementation of the High Needs Task Force Strategic Plan.		\$ 52,663.00
<b>0320 Schools for the Deaf and the Blind</b>			
	To operate the West Virginia Schools for the Deaf and the Blind.	State Appropriation	\$13,069,735.00
		Sub-total	\$16,303,582.38
		<b>TOTAL</b>	<b>\$23,575,339.38</b>

**FEDERAL FUNDING FOR THE EDUCATION OF STUDENTS WITH DISABILITIES  
IN  
WEST VIRGINIA FOR SCHOOL YEAR 2008-2009**

SOURCE	PURPOSE	DISTRIBUTION	AMOUNT
<b>Individuals with Disabilities Education Act (IDEA 2004)</b>			
IDEA, Part B (FY-09)	To expand, improve and maintain direct services to children and youth with disabilities and support state-level administration.	88% flow through to counties, WVSDB* and OIEP**based on base year child counts and population and poverty levels, 1% for a high needs fund for distribution to counties, 9% for projects and 2% of grant for administration (See attachment for flow through amounts).	\$63,257,168.00
			\$ 734,308.00
			\$ 6,608,768.00
			\$ 1,577,409.00
<b>Sub-total</b>			<b>\$72,177,653.00</b>

IDEA, Section 619 Preschool Grant  
(FY-09)

To assist in the provision of services to preschool children with disabilities.

75% flow through to counties and WVSDB based on base year child counts and population and poverty levels, 20% for discretionary projects and 5% of grant for administration (See attachment for flow through amounts).

**Sub-total** \$ 3,428,679.00  
**TOTAL** \$75,606,332.00

\*WV Schools for the Deaf and the Blind (WVSDB)

\*\*Office of Institutional Education Programs (OIEP), West Virginia Department of Education, provides services to state operated programs and facilities under the West Virginia Department of Corrections.

**TABLE 1**  
**COUNTY BOARDS OF EDUCATION, WVSD&B, & OIEP**  
**SPECIAL EDUCATION - SCHOOL AGE ALLOCATION**  
**8715-096 IDEA PART B**  
**FOR THE 2008-09 YEAR**

County	1998 Child Count	Base Amount	Cnty/Priv Population	Population Amount	Poverty Count	Poverty Amount	Total Entitlement
BARBOUR	456	\$ 209,048	2,552	\$ 294,567	1,574	\$ 68,576	\$ 572,191
BERKELEY	1760	\$ 806,853	17,921	\$ 2,068,551	6,794	\$ 296,001	\$ 3,171,405
BOONE	890	\$ 408,011	4,652	\$ 536,962	2,287	\$ 99,640	\$ 1,044,613
BRAXTON	581	\$ 266,353	2,309	\$ 266,519	1,351	\$ 58,860	\$ 591,732
BROOKE	683	\$ 313,114	3,551	\$ 409,878	1,503	\$ 65,483	\$ 788,475
CABELL	2317	\$ 1,062,204	13,603	\$ 1,570,141	6,211	\$ 270,601	\$ 2,902,946
CALHOUN	289	\$ 132,489	1,151	\$ 132,855	713	\$ 31,064	\$ 296,408
CLAY	349	\$ 159,995	2,066	\$ 238,470	1,341	\$ 58,425	\$ 456,890
DODDRIDGE	239	\$ 109,567	1,245	\$ 143,706	749	\$ 32,632	\$ 285,905
FAYETTE	1261	\$ 578,092	7,197	\$ 830,722	4,019	\$ 175,100	\$ 1,583,914
GILMER	247	\$ 113,235	942	\$ 108,731	571	\$ 24,877	\$ 246,843
GRANT	353	\$ 161,829	2,025	\$ 233,738	1,010	\$ 44,004	\$ 439,571
GREENBRIER	1061	\$ 486,404	5,542	\$ 639,692	2,690	\$ 117,198	\$ 1,243,294
HAMPSHIRE	584	\$ 267,729	3,772	\$ 435,387	1,888	\$ 82,256	\$ 785,372
HANCOCK	686	\$ 314,489	4,873	\$ 562,471	1,721	\$ 74,981	\$ 951,941
HARDY	421	\$ 193,003	2,377	\$ 274,368	1,166	\$ 50,800	\$ 518,171
HARRISON	2054	\$ 941,634	11,935	\$ 1,377,611	5,156	\$ 224,637	\$ 2,543,882
JACKSON	856	\$ 392,424	5,147	\$ 594,098	2,131	\$ 92,843	\$ 1,079,365
JEFFERSON	1124	\$ 515,286	8,584	\$ 990,818	2,393	\$ 104,258	\$ 1,610,362
KANAWHA	4551	\$ 2,086,358	30,725	\$ 3,546,467	14,250	\$ 620,844	\$ 6,253,669
LEWIS	513	\$ 235,179	2,836	\$ 327,348	1,443	\$ 62,869	\$ 625,396
LINCOLN	904	\$ 414,429	3,529	\$ 407,339	2,405	\$ 104,781	\$ 926,549
LOGAN	1048	\$ 480,444	6,600	\$ 761,812	3,151	\$ 137,283	\$ 1,379,539
MARION	1215	\$ 557,004	8,408	\$ 970,503	3,960	\$ 172,529	\$ 1,700,036
MARSHALL	1041	\$ 477,235	5,461	\$ 630,342	2,471	\$ 107,657	\$ 1,215,234
MASON	970	\$ 444,686	4,445	\$ 513,069	2,197	\$ 95,719	\$ 1,053,474
MCDOWELL	1164	\$ 533,623	3,816	\$ 440,466	3,071	\$ 133,797	\$ 1,107,886
MERCER	1650	\$ 756,425	9,650	\$ 1,113,862	5,489	\$ 239,145	\$ 2,109,432
MINERAL	812	\$ 372,253	4,605	\$ 531,537	1,854	\$ 80,775	\$ 984,565
MINGO	1072	\$ 491,447	4,877	\$ 562,933	2,930	\$ 127,654	\$ 1,182,034
MONONGALIA	1414	\$ 648,233	11,339	\$ 1,308,817	3,886	\$ 169,305	\$ 2,126,355
MONROE	373	\$ 170,998	2,033	\$ 234,661	1,073	\$ 46,748	\$ 452,407
MORGAN	298	\$ 136,615	2,733	\$ 315,460	1,160	\$ 50,539	\$ 502,614
NICHOLAS	813	\$ 372,711	4,326	\$ 499,333	2,494	\$ 108,659	\$ 980,703
OHIO	924	\$ 423,598	7,069	\$ 815,947	2,489	\$ 108,441	\$ 1,347,986
PENDLETON	234	\$ 107,275	1,132	\$ 130,662	571	\$ 24,877	\$ 262,814
PLEASANTS	285	\$ 130,655	1,383	\$ 159,634	589	\$ 25,662	\$ 315,951
POCAHONTAS	280	\$ 128,363	1,205	\$ 139,088	699	\$ 30,454	\$ 297,905
PRESTON	932	\$ 427,265	4,584	\$ 529,113	2,365	\$ 103,038	\$ 1,059,416
PUTNAM	1561	\$ 715,624	9,725	\$ 1,122,519	3,192	\$ 139,069	\$ 1,977,212
RALEIGH	2041	\$ 935,675	12,970	\$ 1,497,077	6,319	\$ 275,306	\$ 2,708,058
RANDOLPH	830	\$ 380,505	4,466	\$ 515,493	2,288	\$ 99,684	\$ 995,682
RITCHIE	377	\$ 172,832	1,605	\$ 185,259	845	\$ 36,815	\$ 394,906
ROANE	573	\$ 262,686	2,574	\$ 297,107	1,483	\$ 64,611	\$ 624,404
SUMMERS	317	\$ 145,325	1,688	\$ 194,839	969	\$ 42,217	\$ 382,381
TAYLOR	456	\$ 209,048	2,475	\$ 285,680	1,212	\$ 52,804	\$ 547,532
TUCKER	176	\$ 80,685	1,178	\$ 135,972	611	\$ 26,620	\$ 243,277
TYLER	299	\$ 137,073	1,518	\$ 175,217	818	\$ 35,639	\$ 347,929
UPSHUR	642	\$ 294,318	4,158	\$ 479,942	2,024	\$ 88,182	\$ 862,442
WAYNE	1417	\$ 649,609	7,715	\$ 890,513	3,894	\$ 169,654	\$ 1,709,776
WEBSTER	357	\$ 163,663	1,615	\$ 186,413	1,112	\$ 48,448	\$ 398,524
WETZEL	702	\$ 321,824	3,005	\$ 346,855	1,502	\$ 65,439	\$ 734,118
WIRT	220	\$ 100,857	1,007	\$ 116,234	491	\$ 21,392	\$ 238,483
WOOD	1950	\$ 893,957	14,376	\$ 1,659,366	5,313	\$ 231,477	\$ 2,784,800
WYOMING	887	\$ 406,636	4,142	\$ 478,095	2,455	\$ 106,959	\$ 991,690
WV Sch D & B	152	\$ 69,683	174	\$ 20,084	141	\$ 6,143	\$ 95,910
OFC OF INST ED	273	\$ 125,154	661	\$ 76,297	490	\$ 21,348	\$ 222,799
<b>TOTALS</b>	<b>49934</b>	<b>22,891,709</b>	<b>297,252</b>	<b>34,310,640</b>	<b>138,974</b>	<b>\$ 6,054,819</b>	<b>\$ 63,257,168</b>



**TABLE 3**  
**COUNTY BOARDS OF EDUCATION & WVSD&B**  
**SPECIAL EDUCATION - PRESCHOOL ALLOCATION**  
**8715-096 IDEA PART B**  
**FOR THE 2008-09 YEAR**

County	1996 Child Count	Base Amount	Cnty/Priv Population	Population Amount	Poverty Count	Poverty Amount	Total Entitlement
BARBOUR	48	\$ 23,306	2,552	\$ 550	1,574	\$ 128	\$ 23,984
BERKELEY	100	\$ 48,555	17,921	\$ 3,865	6,794	\$ 554	\$ 52,974
BOONE	88	\$ 42,728	4,652	\$ 1,003	2,287	\$ 186	\$ 43,917
BRAXTON	104	\$ 50,497	2,309	\$ 498	1,351	\$ 110	\$ 51,105
BROOKE	46	\$ 22,335	3,551	\$ 766	1,503	\$ 123	\$ 23,224
CABELL	201	\$ 97,595	13,603	\$ 2,934	6,211	\$ 506	\$ 101,035
CALHOUN	65	\$ 31,561	1,151	\$ 248	713	\$ 58	\$ 31,867
CLAY	20	\$ 9,711	2,066	\$ 446	1,341	\$ 109	\$ 10,266
DODDRIDGE	7	\$ 3,399	1,245	\$ 268	749	\$ 61	\$ 3,728
FAYETTE	199	\$ 96,624	7,197	\$ 1,552	4,019	\$ 328	\$ 98,504
GILMER	34	\$ 16,509	942	\$ 203	571	\$ 47	\$ 16,759
GRANT	31	\$ 15,052	2,025	\$ 437	1,010	\$ 82	\$ 15,571
GREENBRIER	131	\$ 63,607	5,542	\$ 1,195	2,690	\$ 219	\$ 65,021
HAMPSHIRE	65	\$ 31,561	3,772	\$ 813	1,888	\$ 154	\$ 32,528
HANCOCK	34	\$ 16,509	4,873	\$ 1,051	1,721	\$ 140	\$ 17,700
HARDY	40	\$ 19,422	2,377	\$ 513	1,166	\$ 95	\$ 20,030
HARRISON	213	\$ 103,422	11,935	\$ 2,574	5,156	\$ 420	\$ 106,416
JACKSON	180	\$ 87,399	5,147	\$ 1,110	2,131	\$ 174	\$ 88,683
JEFFERSON	63	\$ 30,590	8,584	\$ 1,851	2,393	\$ 195	\$ 32,636
KANAWHA	441	\$ 214,126	30,725	\$ 6,626	14,250	\$ 1,162	\$ 221,914
LEWIS	77	\$ 37,387	2,836	\$ 612	1,443	\$ 118	\$ 38,117
LINCOLN	110	\$ 53,410	3,529	\$ 761	2,405	\$ 196	\$ 54,367
LOGAN	110	\$ 53,410	6,600	\$ 1,423	3,151	\$ 257	\$ 55,090
MARION	109	\$ 52,925	8,408	\$ 1,813	3,960	\$ 323	\$ 55,061
MARSHALL	119	\$ 57,780	5,461	\$ 1,178	2,471	\$ 201	\$ 59,159
MASON	130	\$ 63,121	4,445	\$ 959	2,197	\$ 179	\$ 64,259
MCDOWELL	42	\$ 20,393	3,816	\$ 823	3,071	\$ 250	\$ 21,466
MERCER	193	\$ 93,711	9,650	\$ 2,081	5,489	\$ 447	\$ 96,239
MINERAL	92	\$ 44,670	4,605	\$ 993	1,854	\$ 151	\$ 45,814
MINGO	67	\$ 32,532	4,877	\$ 1,052	2,930	\$ 239	\$ 33,823
MONONGALIA	118	\$ 57,295	11,339	\$ 2,445	3,886	\$ 317	\$ 60,057
MONROE	63	\$ 30,590	2,033	\$ 438	1,073	\$ 87	\$ 31,115
MORGAN	22	\$ 10,682	2,733	\$ 589	1,160	\$ 95	\$ 11,366
NICHOLAS	72	\$ 34,959	4,326	\$ 933	2,494	\$ 203	\$ 36,095
OHIO	115	\$ 55,838	7,069	\$ 1,525	2,489	\$ 203	\$ 57,566
PENDLETON	37	\$ 17,965	1,132	\$ 244	571	\$ 47	\$ 18,256
PLEASANTS	47	\$ 22,821	1,383	\$ 298	589	\$ 48	\$ 23,167
POCAHONTAS	44	\$ 21,364	1,205	\$ 260	699	\$ 57	\$ 21,681
PRESTON	48	\$ 23,306	4,584	\$ 989	2,365	\$ 193	\$ 24,488
PUTNAM	67	\$ 32,532	9,725	\$ 2,097	3,192	\$ 260	\$ 34,889
RALEIGH	237	\$ 115,075	12,970	\$ 2,797	6,319	\$ 515	\$ 118,387
RANDOLPH	49	\$ 23,792	4,466	\$ 963	2,288	\$ 186	\$ 24,941
RITCHIE	54	\$ 26,220	1,605	\$ 346	845	\$ 69	\$ 26,635
ROANE	95	\$ 46,127	2,574	\$ 555	1,483	\$ 121	\$ 46,803
SUMMERS	20	\$ 9,711	1,688	\$ 364	969	\$ 79	\$ 10,154
TAYLOR	71	\$ 34,474	2,475	\$ 534	1,212	\$ 99	\$ 35,107
TUCKER	35	\$ 16,994	1,178	\$ 254	611	\$ 50	\$ 17,298
TYLER	38	\$ 18,451	1,518	\$ 327	818	\$ 67	\$ 18,845
UPSHUR	45	\$ 21,850	4,158	\$ 897	2,024	\$ 165	\$ 22,912
WAYNE	152	\$ 73,803	7,715	\$ 1,664	3,894	\$ 317	\$ 75,784
WEBSTER	37	\$ 17,965	1,615	\$ 348	1,112	\$ 91	\$ 18,404
WETZEL	66	\$ 32,046	3,005	\$ 648	1,502	\$ 122	\$ 32,816
WIRT	37	\$ 17,965	1,007	\$ 217	491	\$ 40	\$ 18,222
WOOD	204	\$ 99,052	14,376	\$ 3,100	5,313	\$ 433	\$ 102,585
WYOMING	95	\$ 46,127	4,142	\$ 893	2,455	\$ 200	\$ 47,220
WV Sch D & B	92	\$ 44,670	174	\$ 38	141	\$ 11	\$ 44,719
<b>TOTALS</b>	<b>5,119</b>	<b>2,485,521</b>	<b>296,591</b>	<b>63,961</b>	<b>138,484</b>	<b>11,287</b>	<b>2,560,769</b>

# STUDENT ENROLLMENT

**COUNTY BOARDS OF EDUCATION  
SECOND MONTH STUDENT (HEADCOUNT) ENROLLMENT BY GRADE  
2008-09 SCHOOL YEAR**

County	Early Childhood		Kinder- garten	First	Second	Third	Fourth	Fifth
	Community Based	School Based						
Barbour	36	106	164	175	150	167	186	172
Berkeley	106	501	1,345	1,390	1,336	1,263	1,238	1,255
Boone	91	157	369	341	353	328	343	331
Braxton	-	138	170	181	145	163	157	166
Brooke	41	64	237	229	238	268	260	241
Cabell	418	238	982	956	965	940	900	930
Calhoun	31	30	87	84	85	78	81	67
Clay	148	-	150	138	124	129	145	148
Doddridge	16	38	70	79	84	90	86	75
Fayette	104	48	526	513	522	490	487	489
Gilmer	-	59	55	60	70	59	63	72
Grant	37	48	148	134	139	154	147	154
Greenbrier	14	230	372	381	394	404	378	379
Hampshire	49	101	280	247	251	297	260	248
Hancock	55	116	332	330	315	312	315	295
Hardy	25	83	180	185	175	153	164	169
Harrison	295	316	806	761	786	809	774	800
Jackson	99	181	348	381	379	354	360	366
Jefferson	58	162	600	773	683	662	618	615
Kanawha	506	680	2,189	2,280	2,073	2,124	2,077	2,114
Lewis	125	-	191	187	197	179	171	197
Lincoln	217	5	318	277	248	296	262	279
Logan	242	85	452	488	469	454	452	443
Marion	258	138	588	590	564	602	575	574
Marshall	132	99	321	338	341	340	326	350
Mason	72	218	273	318	327	313	300	314
McDowell	177	10	271	301	265	272	273	252
Mercer	205	302	751	753	693	743	663	721
Mineral	53	229	307	332	321	346	322	300
Mingo	255	-	386	384	364	377	330	321
Monongalia	122	376	739	714	785	724	723	713
Monroe	-	96	125	148	132	140	147	144
Morgan	102	12	187	191	179	213	174	209
Nicholas	109	61	316	293	290	296	274	303
Ohio	160	89	376	360	350	350	372	378
Pendleton	27	49	97	77	65	74	77	85
Pleasants	34	46	78	88	92	106	91	95
Pocahontas	20	58	82	87	84	85	93	77
Preston	87	136	341	325	308	336	322	330
Putnam	324	-	696	712	712	698	721	695
Raleigh	151	452	903	1,023	914	958	877	930
Randolph	204	20	334	314	342	320	278	313
Ritchie	25	75	131	128	114	93	93	111
Roane	135	7	174	188	164	203	198	194
Summers	85	-	115	103	110	106	91	111
Taylor	65	65	224	169	173	173	199	169
Tucker	-	65	86	71	67	82	75	82
Tyler	-	95	73	121	88	115	111	115
Upshur	127	30	287	298	295	267	271	280
Wayne	233	104	582	591	549	593	572	545
Webster	45	34	106	105	122	98	84	99
Wetzel	18	139	208	217	174	192	213	223
Wirt	41	-	54	61	42	62	71	75
Wood	199	371	966	999	985	990	1,006	987
Wyoming	71	124	357	313	293	297	308	336
<b>Total</b>	<b>6,249</b>	<b>6,886</b>	<b>20,905</b>	<b>21,282</b>	<b>20,485</b>	<b>20,737</b>	<b>20,154</b>	<b>20,436</b>

OSF

12/12/08

Headcount Enroll 2nd Mo 09

**COUNTY BOARDS OF EDUCATION  
SECOND MONTH STUDENT (HEADCOUNT) ENROLLMENT BY GRADE  
2008-09 SCHOOL YEAR**

County	Sixth	Seventh	Eight	Ninth	Tenth	Eleventh	Twelfth	Total
Barbour	177	182	201	195	203	190	192	2,496
Berkeley	1,338	1,229	1,330	1,533	1,176	1,147	1,027	17,214
Boone	353	337	340	368	330	315	266	4,622
Braxton	136	156	171	189	190	158	169	2,289
Brooke	233	257	271	293	253	268	270	3,423
Cabell	927	834	889	1,007	917	852	767	12,522
Calhoun	90	90	84	76	77	93	73	1,126
Clay	130	135	148	165	165	157	144	2,026
Doddridge	86	89	102	111	95	100	85	1,206
Fayette	513	542	531	550	561	467	467	6,810
Gilmer	74	68	77	66	80	65	73	941
Grant	145	156	149	151	135	139	139	1,975
Greenbrier	372	391	396	433	379	360	365	5,248
Hampshire	286	291	312	305	283	271	246	3,727
Hancock	280	362	322	383	292	287	331	4,327
Hardy	182	170	184	185	175	167	156	2,353
Harrison	794	780	872	1,079	853	772	695	11,192
Jackson	370	369	354	477	359	333	337	5,067
Jefferson	537	643	630	632	602	629	554	8,398
Kanawha	2,151	2,091	2,169	2,469	1,882	1,842	1,818	28,465
Lewis	182	187	216	250	232	195	177	2,686
Lincoln	279	276	271	302	203	181	192	3,606
Logan	469	514	472	519	522	465	460	6,506
Marion	573	531	595	689	670	606	569	8,122
Marshall	340	347	380	408	397	379	388	4,886
Mason	302	341	313	340	302	283	283	4,299
McDowell	266	266	274	297	258	258	235	3,675
Mercer	717	711	730	781	686	530	552	9,538
Mineral	317	293	320	358	340	355	358	4,551
Mingo	304	317	345	356	333	279	337	4,688
Monongalia	738	707	770	948	776	715	744	10,294
Monroe	125	141	152	159	186	136	124	1,955
Morgan	205	210	216	230	208	188	168	2,692
Nicholas	307	279	289	324	331	304	307	4,083
Ohio	371	403	382	448	408	399	433	5,279
Pendleton	66	98	71	85	76	90	64	1,101
Pleasants	84	107	104	113	108	99	101	1,346
Pocahontas	86	94	96	95	87	81	84	1,209
Preston	340	367	349	395	331	307	285	4,559
Putnam	646	711	738	732	715	619	622	9,341
Raleigh	912	852	849	964	889	846	796	12,316
Randolph	309	311	325	373	364	331	287	4,425
Ritchie	102	115	130	125	115	134	98	1,589
Roane	197	191	164	195	178	184	166	2,538
Summers	113	113	105	142	118	121	99	1,532
Taylor	170	162	172	187	193	156	149	2,426
Tucker	67	79	79	89	87	90	108	1,127
Tyler	94	109	116	108	117	120	97	1,479
Upshur	259	300	297	349	312	236	254	3,862
Wayne	551	552	564	669	543	542	536	7,726
Webster	117	114	134	124	125	136	107	1,550
Wetzel	206	180	217	240	214	224	255	2,920
Wirt	66	78	81	78	85	80	80	954
Wood	1,016	973	1,050	1,060	1,000	966	913	13,481
Wyoming	316	333	299	309	268	263	253	4,140
<b>Total</b>	<b>20,386</b>	<b>20,534</b>	<b>21,197</b>	<b>23,508</b>	<b>20,784</b>	<b>19,510</b>	<b>18,855</b>	<b>281,908</b>

OSF  
12/12/08  
Headcount Enro

**COMPARISON OF ENROLLMENT FACTORS  
AS OF SECOND SCHOOL MONTH  
2007-08 AND 2008-09**

County	Early Childhood Headcount			Early Childhood FTE		
	2007-08	2008-09	Increase/ Decrease	2007-08	2008-09	Increase/ Decrease
Barbour	152	142	(10)	138.60	141.50	2.90
Berkeley	590	607	17	546.97	440.90	(106.07)
Boone	221	248	27	211.60	246.00	34.40
Braxton	150	138	(12)	150.00	135.12	(14.88)
Brooke	117	105	(12)	92.80	78.20	(14.60)
Cabell	597	656	59	537.24	632.50	95.26
Calhoun	83	61	(22)	69.48	54.80	(14.68)
Clay	151	148	(3)	145.65	148.00	2.35
Doddridge	45	54	9	28.70	34.40	5.70
Fayette	132	152	20	127.20	119.40	(7.80)
Gilmer	50	59	9	50.00	59.00	9.00
Grant	99	85	(14)	80.50	85.00	4.50
Greenbrier	210	244	34	166.10	179.60	13.50
Hampshire	143	150	7	76.40	92.50	16.10
Hancock	121	171	50	103.80	142.00	38.20
Hardy	106	108	2	79.69	69.70	(9.99)
Harrison	611	611	-	569.55	593.00	23.45
Jackson	228	280	52	191.46	270.40	78.94
Jefferson	229	220	(9)	214.35	184.60	(29.75)
Kanawha	1,129	1,186	57	805.78	767.17	(38.61)
Lewis	170	125	(45)	162.01	125.00	(37.01)
Lincoln	209	222	13	200.45	218.20	17.75
Logan	251	327	76	243.05	320.20	77.15
Marion	292	396	104	239.16	356.60	117.44
Marshall	197	231	34	151.06	200.00	48.94
Mason	244	290	46	177.70	232.00	54.30
McDowell	192	187	(5)	185.90	187.00	1.10
Mercer	442	507	65	430.10	447.23	17.13
Mineral	268	282	14	258.89	265.83	6.93
Mingo	260	255	(5)	169.50	247.50	78.00
Monongalia	458	498	40	450.45	489.72	39.27
Monroe	98	96	(2)	80.25	72.35	(7.90)
Morgan	126	114	(12)	126.00	114.00	(12.00)
Nicholas	166	170	4	160.25	166.88	6.63
Ohio	217	249	32	192.54	193.30	0.76
Pendleton	87	76	(11)	84.60	75.20	(9.40)
Pleasants	74	80	6	73.55	80.00	6.45
Pocahontas	81	78	(3)	64.40	57.20	(7.20)
Preston	166	223	57	136.80	211.80	75.00
Putnam	255	324	69	213.50	241.50	28.00
Raleigh	515	603	88	440.00	449.30	9.30
Randolph	213	224	11	210.58	223.60	13.02
Ritchie	106	100	(6)	105.05	96.50	(8.55)
Roane	139	142	3	95.45	137.80	42.35
Summers	101	85	(16)	89.61	83.50	(6.11)
Taylor	130	130	-	94.60	114.20	19.60
Tucker	76	65	(11)	76.00	65.00	(11.00)
Tyler	63	95	32	46.65	86.10	39.45
Upshur	124	157	33	99.35	153.40	54.05
Wayne	318	337	19	237.26	302.80	65.54
Webster	92	79	(13)	64.56	62.00	(2.56)
Wetzel	174	157	(17)	117.00	143.00	26.00
Wirt	47	41	(6)	42.16	38.00	(4.16)
Wood	545	570	25	448.61	513.80	65.19
Wyoming	185	195	10	176.01	187.20	11.19
<b>Total</b>	<b>12,245</b>	<b>13,135</b>	<b>890</b>	<b>10,528.93</b>	<b>11,431.49</b>	<b>902.56</b>

OSF

12/11/08

Enrollment 09

**COMPARISON OF ENROLLMENT FACTORS  
AS OF SECOND SCHOOL MONTH  
2007-08 AND 2008-09**

County	Kindergarten (5 Year Olds) Headcount			Kindergarten (5 Year Olds) FTE		
	2007-08	2008-09	Increase/ Decrease	2007-08	2008-09	Increase/ Decrease
Barbour	174	164	(10)	174.00	164.00	(10.00)
Berkeley	1,385	1,345	(40)	1,385.00	1,345.00	(40.00)
Boone	356	369	13	356.00	369.00	13.00
Braxton	180	170	(10)	180.00	170.00	(10.00)
Brooke	229	237	8	229.00	237.00	8.00
Cabell	984	982	(2)	984.00	982.00	(2.00)
Calhoun	92	87	(5)	92.00	87.00	(5.00)
Clay	137	150	13	137.00	150.00	13.00
Doddridge	76	70	(6)	76.00	70.00	(6.00)
Fayette	516	526	10	516.00	526.00	10.00
Gilmer	63	55	(8)	63.00	55.00	(8.00)
Grant	131	148	17	131.00	148.00	17.00
Greenbrier	377	372	(5)	377.00	372.00	(5.00)
Hampshire	246	280	34	246.00	280.00	34.00
Hancock	354	332	(22)	354.00	332.00	(22.00)
Hardy	193	180	(13)	193.00	180.00	(13.00)
Harrison	753	806	53	753.00	806.00	53.00
Jackson	377	348	(29)	377.00	348.00	(29.00)
Jefferson	674	600	(74)	674.00	600.00	(74.00)
Kanawha	2,195	2,189	(6)	2,195.00	2,189.00	(6.00)
Lewis	187	191	4	187.00	191.00	4.00
Lincoln	299	318	19	299.00	318.00	19.00
Logan	497	452	(45)	497.00	452.00	(45.00)
Marion	601	588	(13)	601.00	588.00	(13.00)
Marshall	363	321	(42)	363.00	321.00	(42.00)
Mason	315	273	(42)	315.00	273.00	(42.00)
McDowell	281	271	(10)	281.00	271.00	(10.00)
Mercer	786	751	(35)	786.00	751.00	(35.00)
Mineral	310	307	(3)	310.00	307.00	(3.00)
Mingo	386	386	-	386.00	386.00	-
Monongalia	728	739	11	728.00	739.00	11.00
Monroe	142	125	(17)	142.00	125.00	(17.00)
Morgan	185	187	2	185.00	187.00	2.00
Nicholas	298	316	18	298.00	316.00	18.00
Ohio	357	376	19	357.00	376.00	19.00
Pendleton	75	97	22	75.00	97.00	22.00
Pleasants	83	78	(5)	83.00	78.00	(5.00)
Pocahontas	79	82	3	79.00	82.00	3.00
Preston	348	341	(7)	348.00	341.00	(7.00)
Putnam	741	696	(45)	741.00	696.00	(45.00)
Raleigh	970	903	(67)	970.00	903.00	(67.00)
Randolph	306	334	28	306.00	334.00	28.00
Ritchie	139	131	(8)	139.00	131.00	(8.00)
Roane	193	174	(19)	193.00	174.00	(19.00)
Summers	107	115	8	107.00	115.00	8.00
Taylor	192	224	32	192.00	224.00	32.00
Tucker	73	86	13	73.00	86.00	13.00
Tyler	115	73	(42)	115.00	73.00	(42.00)
Upshur	296	287	(9)	296.00	287.00	(9.00)
Wayne	615	582	(33)	615.00	582.00	(33.00)
Webster	109	106	(3)	108.00	106.00	(2.00)
Wetzel	227	208	(19)	227.00	208.00	(19.00)
Wirt	58	54	(4)	58.00	54.00	(4.00)
Wood	1,012	966	(46)	1,012.00	966.00	(46.00)
Wyoming	332	357	25	332.00	357.00	25.00
<b>Total</b>	<b>21,297</b>	<b>20,905</b>	<b>(392)</b>	<b>21,296.00</b>	<b>20,905.00</b>	<b>(391.00)</b>

OSF  
12/11/08  
Enrollment 09

**COMPARISON OF ENROLLMENT FACTORS  
AS OF SECOND SCHOOL MONTH  
2007-08 AND 2008-09**

County	Grades 1 - 8 Headcount			Grades 1 - 8 FTE		
	2007-08	2008-09	Increase/ Decrease	2007-08	2008-09	Increase/ Decrease
Barbour	1,417	1,410	(7)	1,417.00	1,409.14	(7.86)
Berkeley	10,109	10,379	270	10,105.92	10,373.18	267.26
Boone	2,724	2,726	2	2,724.00	2,726.00	2.00
Braxton	1,261	1,275	14	1,261.00	1,275.00	14.00
Brooke	2,037	1,997	(40)	2,037.00	1,997.00	(40.00)
Cabell	7,341	7,341	-	7,341.00	7,341.00	-
Calhoun	639	659	20	639.00	659.00	20.00
Clay	1,128	1,097	(31)	1,128.00	1,097.00	(31.00)
Doddridge	714	691	(23)	714.00	691.00	(23.00)
Fayette	4,060	4,087	27	4,059.10	4,087.00	27.90
Gilmer	545	543	(2)	545.00	543.00	(2.00)
Grant	1,194	1,178	(16)	1,194.00	1,178.00	(16.00)
Greenbrier	3,064	3,095	31	3,064.00	3,095.00	31.00
Hampshire	2,257	2,192	(65)	2,257.00	2,192.00	(65.00)
Hancock	2,523	2,531	8	2,523.00	2,531.00	8.00
Hardy	1,379	1,382	3	1,379.00	1,382.00	3.00
Harrison	6,525	6,376	(149)	6,524.50	6,376.00	(148.50)
Jackson	2,957	2,933	(24)	2,957.00	2,933.00	(24.00)
Jefferson	5,027	5,161	134	5,027.00	5,159.38	132.38
Kanawha	16,945	17,079	134	16,945.00	17,079.00	134.00
Lewis	1,511	1,516	5	1,511.00	1,516.00	5.00
Lincoln	2,152	2,188	36	2,152.00	2,188.00	36.00
Logan	3,727	3,761	34	3,727.00	3,761.00	34.00
Marion	4,618	4,604	(14)	4,618.00	4,604.00	(14.00)
Marshall	2,825	2,762	(63)	2,825.00	2,759.34	(65.66)
Mason	2,582	2,528	(54)	2,582.00	2,528.00	(54.00)
McDowell	2,166	2,169	3	2,166.00	2,169.00	3.00
Mercer	5,682	5,731	49	5,682.00	5,731.00	49.00
Mineral	2,532	2,551	19	2,532.00	2,550.07	18.07
Mingo	2,685	2,742	57	2,685.00	2,742.00	57.00
Monongalia	5,866	5,874	8	5,865.13	5,873.13	7.99
Monroe	1,131	1,129	(2)	1,131.00	1,129.00	(2.00)
Morgan	1,628	1,597	(31)	1,628.00	1,597.00	(31.00)
Nicholas	2,357	2,331	(26)	2,356.95	2,331.00	(25.95)
Ohio	2,992	2,966	(26)	2,992.00	2,966.00	(26.00)
Pendleton	637	613	(24)	637.00	613.00	(24.00)
Pleasants	780	767	(13)	780.00	767.00	(13.00)
Pocahontas	693	702	9	692.13	702.00	9.88
Preston	2,742	2,677	(65)	2,742.00	2,677.00	(65.00)
Putnam	5,516	5,633	117	5,515.50	5,633.00	117.50
Raleigh	7,172	7,315	143	7,172.00	7,315.00	143.00
Randolph	2,558	2,512	(46)	2,558.00	2,512.00	(46.00)
Ritchie	854	886	32	854.00	886.00	32.00
Roane	1,495	1,499	4	1,495.00	1,499.00	4.00
Summers	861	852	(9)	861.00	852.00	(9.00)
Taylor	1,409	1,387	(22)	1,409.00	1,387.00	(22.00)
Tucker	622	602	(20)	618.63	602.00	(16.63)
Tyler	844	869	25	844.00	869.00	25.00
Upshur	2,290	2,267	(23)	2,290.00	2,267.00	(23.00)
Wayne	4,429	4,517	88	4,429.00	4,517.00	88.00
Webster	909	873	(36)	912.00	873.00	(39.00)
Wetzel	1,650	1,622	(28)	1,649.12	1,622.00	(27.12)
Wirt	568	536	(32)	568.00	536.00	(32.00)
Wood	7,979	8,006	27	7,979.00	8,006.00	27.00
Wyoming	2,487	2,495	8	2,487.00	2,495.00	8.00
<b>Total</b>	<b>164,795</b>	<b>165,211</b>	<b>416</b>	<b>164,786.97</b>	<b>165,198.23</b>	<b>411.25</b>

OSF  
12/11/08  
Enrollment 09

**COMPARISON OF ENROLLMENT FACTORS  
AS OF SECOND SCHOOL MONTH  
2007-08 AND 2008-09**

County	Grades 9 - 12 Headcount			Grades 9 -12 FTE		
	2007-08	2008-09	Increase/ Decrease	2007-08	2008-09	Increase/ Decrease
Barbour	809	780	(29)	809.00	779.00	(30.00)
Berkeley	4,784	4,883	99	4,781.72	4,877.51	95.79
Boone	1,300	1,279	(21)	1,300.00	1,279.00	(21.00)
Braxton	700	706	6	699.13	706.00	6.88
Brooke	1,138	1,084	(54)	1,138.00	1,084.00	(54.00)
Cabell	3,464	3,543	79	3,464.00	3,537.60	73.60
Calhoun	337	319	(18)	337.00	319.00	(18.00)
Clay	621	631	10	621.00	631.00	10.00
Doddridge	399	391	(8)	399.00	391.00	(8.00)
Fayette	2,117	2,045	(72)	2,117.00	2,045.00	(72.00)
Gilmer	284	284	-	284.00	284.00	-
Grant	575	564	(11)	575.00	564.00	(11.00)
Greenbrier	1,576	1,537	(39)	1,575.25	1,537.00	(38.25)
Hampshire	1,101	1,105	4	1,101.00	1,105.00	4.00
Hancock	1,307	1,293	(14)	1,305.75	1,291.50	(14.25)
Hardy	682	683	1	682.00	683.00	1.00
Harrison	3,346	3,399	53	3,345.25	3,398.50	53.25
Jackson	1,499	1,506	7	1,499.00	1,506.00	7.00
Jefferson	2,369	2,417	48	2,367.29	2,415.71	48.43
Kanawha	8,081	8,011	(70)	8,081.00	8,011.00	(70.00)
Lewis	836	854	18	836.00	854.00	18.00
Lincoln	863	878	15	863.00	878.00	15.00
Logan	1,957	1,966	9	1,957.00	1,966.00	9.00
Marion	2,605	2,534	(71)	2,604.10	2,534.00	(70.10)
Marshall	1,605	1,572	(33)	1,604.13	1,572.00	(32.13)
Mason	1,259	1,208	(51)	1,259.00	1,207.50	(51.50)
McDowell	1,139	1,048	(91)	1,139.00	1,048.00	(91.00)
Mercer	2,574	2,549	(25)	2,574.00	2,549.00	(25.00)
Mineral	1,447	1,411	(36)	1,447.00	1,409.25	(37.75)
Mingo	1,309	1,305	(4)	1,309.00	1,305.00	(4.00)
Monongalia	3,169	3,183	14	3,166.64	3,179.38	12.74
Monroe	617	605	(12)	616.60	605.00	(11.60)
Morgan	780	794	14	779.15	794.00	14.85
Nicholas	1,293	1,266	(27)	1,292.50	1,265.50	(27.00)
Ohio	1,743	1,688	(55)	1,743.00	1,688.00	(55.00)
Pendleton	333	315	(18)	331.90	314.00	(17.90)
Pleasants	415	421	6	415.00	421.00	6.00
Pocahontas	352	347	(5)	352.00	347.00	(5.00)
Preston	1,328	1,318	(10)	1,328.00	1,318.00	(10.00)
Putnam	2,689	2,688	(1)	2,688.25	2,686.75	(1.50)
Raleigh	3,496	3,495	(1)	3,496.00	3,495.00	(1.00)
Randolph	1,337	1,355	18	1,337.00	1,355.00	18.00
Ritchie	498	472	(26)	498.00	472.00	(26.00)
Roane	747	723	(24)	747.00	723.00	(24.00)
Summers	498	480	(18)	497.38	480.00	(17.38)
Taylor	733	685	(48)	733.00	684.25	(48.75)
Tucker	384	374	(10)	383.38	374.00	(9.38)
Tyler	496	442	(54)	496.00	442.00	(54.00)
Upshur	1,171	1,151	(20)	1,171.00	1,151.00	(20.00)
Wayne	2,353	2,290	(63)	2,353.00	2,290.00	(63.00)
Webster	505	492	(13)	505.00	492.00	(13.00)
Wetzel	954	933	(21)	954.00	933.00	(21.00)
Wirt	324	323	(1)	324.00	323.00	(1.00)
Wood	3,983	3,939	(44)	3,983.00	3,939.00	(44.00)
Wyoming	1,138	1,093	(45)	1,138.00	1,093.00	(45.00)
<b>Total</b>	<b>83,419</b>	<b>82,657</b>	<b>(762)</b>	<b>83,402.40</b>	<b>82,632.45</b>	<b>(769.95)</b>

OSF  
12/11/08  
Enrollment 09



**COMPARISON OF ENROLLMENT FACTORS  
AS OF SECOND SCHOOL MONTH  
2007-08 AND 2008-09**

County	Grades PK - 12 Headcount			Grades PK -12 Net Enrollment (W/O Certified Adults)		
	2007-08	2008-09	Increase/ Decrease	2007-08	2008-09	Increase/ Decrease
Barbour	2,552	2,496	(56)	2,538.60	2,493.64	(44.96)
Berkeley	16,868	17,214	346	16,819.61	17,036.59	216.98
Boone	4,601	4,622	21	4,591.60	4,620.00	28.40
Braxton	2,291	2,289	(2)	2,290.13	2,286.12	(4.01)
Brooke	3,521	3,423	(98)	3,496.80	3,396.20	(100.60)
Cabell	12,386	12,522	136	12,326.24	12,493.10	166.86
Calhoun	1,151	1,126	(25)	1,137.48	1,119.80	(17.68)
Clay	2,037	2,026	(11)	2,031.65	2,026.00	(5.65)
Doddridge	1,234	1,206	(28)	1,217.70	1,186.40	(31.30)
Fayette	6,825	6,810	(15)	6,819.30	6,777.40	(41.90)
Gilmer	942	941	(1)	942.00	941.00	(1.00)
Grant	1,999	1,975	(24)	1,980.50	1,975.00	(5.50)
Greenbrier	5,227	5,248	21	5,182.35	5,183.60	1.25
Hampshire	3,747	3,727	(20)	3,680.40	3,669.50	(10.90)
Hancock	4,305	4,327	22	4,286.55	4,296.50	9.95
Hardy	2,360	2,353	(7)	2,333.69	2,314.70	(18.99)
Harrison	11,235	11,192	(43)	11,192.30	11,173.50	(18.80)
Jackson	5,061	5,067	6	5,024.46	5,057.40	32.94
Jefferson	8,299	8,398	99	8,282.64	8,359.69	77.05
Kanawha	28,350	28,465	115	28,026.78	28,046.17	19.39
Lewis	2,704	2,686	(18)	2,696.01	2,686.00	(10.01)
Lincoln	3,523	3,606	83	3,514.45	3,602.20	87.75
Logan	6,432	6,506	74	6,424.05	6,499.20	75.15
Marion	8,116	8,122	6	8,062.26	8,082.60	20.34
Marshall	4,990	4,886	(104)	4,943.19	4,852.34	(90.85)
Mason	4,400	4,299	(101)	4,333.70	4,240.50	(93.20)
McDowell	3,778	3,675	(103)	3,771.90	3,675.00	(96.90)
Mercer	9,484	9,538	54	9,472.10	9,478.23	6.13
Mineral	4,557	4,551	(6)	4,547.89	4,532.15	(15.75)
Mingo	4,640	4,688	48	4,549.50	4,680.50	131.00
Monongalia	10,221	10,294	73	10,210.22	10,281.22	71.00
Monroe	1,988	1,955	(33)	1,969.85	1,931.35	(38.50)
Morgan	2,719	2,692	(27)	2,718.15	2,692.00	(26.15)
Nicholas	4,114	4,083	(31)	4,107.70	4,079.38	(28.32)
Ohio	5,309	5,279	(30)	5,284.54	5,223.30	(61.24)
Pendleton	1,132	1,101	(31)	1,128.50	1,099.20	(29.30)
Pleasants	1,352	1,346	(6)	1,351.55	1,346.00	(5.55)
Pocahontas	1,205	1,209	4	1,187.53	1,188.20	0.67
Preston	4,584	4,559	(25)	4,554.80	4,547.80	(7.00)
Putnam	9,201	9,341	140	9,158.25	9,257.25	99.00
Raleigh	12,153	12,316	163	12,078.00	12,162.30	84.30
Randolph	4,414	4,425	11	4,411.58	4,424.60	13.02
Ritchie	1,597	1,589	(8)	1,596.05	1,585.50	(10.55)
Roane	2,574	2,538	(36)	2,530.45	2,533.80	3.35
Summers	1,567	1,532	(35)	1,554.98	1,530.50	(24.48)
Taylor	2,464	2,426	(38)	2,428.60	2,409.45	(19.15)
Tucker	1,155	1,127	(28)	1,151.01	1,127.00	(24.01)
Tyler	1,518	1,479	(39)	1,501.65	1,470.10	(31.55)
Upshur	3,881	3,862	(19)	3,856.35	3,858.40	2.05
Wayne	7,715	7,726	11	7,634.26	7,691.80	57.54
Webster	1,615	1,550	(65)	1,589.56	1,533.00	(56.56)
Wetzel	3,005	2,920	(85)	2,947.12	2,906.00	(41.12)
Wirt	997	954	(43)	992.16	951.00	(41.16)
Wood	13,519	13,481	(38)	13,422.61	13,424.80	2.19
Wyoming	4,142	4,140	(2)	4,133.01	4,132.20	(0.81)
<b>Total</b>	<b>281,756</b>	<b>281,908</b>	<b>152</b>	<b>280,014.30</b>	<b>280,167.17</b>	<b>152.86</b>

OSF  
12/11/08  
Enrollment 09

**COMPARISON OF ENROLLMENT FACTORS  
AS OF SECOND SCHOOL MONTH  
2007-08 AND 2008-09**

Presented for Informational Purposes Only - Not included in Total Net Enrollment

County	Special Education (Unduplicated)			Advanced Placement (Unduplicated)		
	2007-08	2008-09	Increase/ Decrease	2007-08	2008-09	Increase/ Decrease
Barbour	489	430	(59)	67	56	(11)
Berkeley	2,907	2,992	85	353	452	99
Boone	914	901	(13)	207	176	(31)
Braxton	440	433	(7)	98	100	2
Brooke	762	759	(3)	82	96	14
Cabell	2,043	1,999	(44)	391	453	62
Calhoun	192	175	(17)	0	22	22
Clay	380	345	(35)	44	31	(13)
Doddridge	255	257	2	51	38	(13)
Fayette	1,059	1,027	(32)	237	197	(40)
Gilmer	155	150	(5)	13	29	16
Grant	431	413	(18)	48	43	(5)
Greenbrier	1,027	1,015	(12)	129	137	8
Hampshire	686	677	(9)	131	116	(15)
Hancock	858	854	(4)	125	156	31
Hardy	359	370	11	95	87	(8)
Harrison	2,154	2,163	9	299	316	17
Jackson	908	897	(11)	202	220	18
Jefferson	1,366	1,287	(79)	142	192	50
Kanawha	5,110	5,093	(17)	1,304	1,164	(140)
Lewis	576	566	(10)	77	67	(10)
Lincoln	722	754	32	57	53	(4)
Logan	955	894	(61)	194	253	59
Marion	1,410	1,351	(59)	409	397	(12)
Marshall	1,108	988	(120)	311	297	(14)
Mason	853	924	71	239	207	(32)
McDowell	679	657	(22)	76	81	5
Mercer	1,471	1,437	(34)	290	292	2
Mineral	876	841	(35)	189	178	(11)
Mingo	803	741	(62)	143	200	57
Monongalia	1,926	1,970	44	520	551	31
Monroe	333	339	6	130	106	(24)
Morgan	427	394	(33)	72	71	(1)
Nicholas	817	783	(34)	89	103	14
Ohio	1,066	1,022	(44)	242	230	(12)
Pendleton	279	240	(39)	22	25	3
Pleasants	267	266	(1)	30	48	18
Pocahontas	251	248	(3)	46	72	26
Preston	956	957	1	166	172	6
Putnam	1,721	1,726	5	431	426	(5)
Raleigh	1,977	1,908	(69)	385	376	(9)
Randolph	848	832	(16)	180	181	1
Ritchie	321	320	(1)	58	49	(9)
Roane	492	459	(33)	68	68	-
Summers	275	239	(36)	19	18	(1)
Taylor	400	386	(14)	50	56	6
Tucker	186	185	(1)	47	66	19
Tyler	369	313	(56)	56	36	(20)
Upshur	761	751	(10)	183	213	30
Wayne	1,520	1,532	12	190	186	(4)
Webster	259	252	(7)	51	63	12
Wetzel	659	613	(46)	71	89	18
Wirt	144	139	(5)	70	77	7
Wood	2,455	2,380	(75)	491	562	71
Wyoming	851	856	5	92	88	(4)
<b>Total</b>	<b>51,508</b>	<b>50,500</b>	<b>(1,008)</b>	<b>9,762</b>	<b>10,038</b>	<b>276</b>

OSF  
12/11/08  
Enrollment 09

**COMPARISON OF ENROLLMENT FACTORS  
AS OF SECOND SCHOOL MONTH  
2007-08 AND 2008-09**

County	Certified Adult Students			Net Enrollment (With Certified Adults)		
	2007-08	2008-09	Increase/ Decrease	2007-08	2008-09	Increase/ Decrease
Barbour	0.50	0.50	-	2,539.10	2,494.14	(44.96)
Berkeley	3.75	3.75	-	16,823.36	17,040.34	216.98
Boone	-	0.50	0.50	4,591.60	4,620.50	28.90
Braxton	0.33	-	(0.33)	2,290.46	2,286.12	(4.34)
Brooke	-	-	-	3,496.80	3,396.20	(100.60)
Cabell	-	3.00	3.00	12,326.24	12,496.10	169.86
Calhoun	9.93	8.75	(1.18)	1,147.41	1,128.55	(18.86)
Clay	-	-	-	2,031.65	2,026.00	(5.65)
Doddridge	2.55	2.62	0.07	1,220.25	1,189.02	(31.23)
Fayette	6.50	5.40	(1.10)	6,825.80	6,782.80	(43.00)
Gilmer	3.56	0.82	(2.74)	945.56	941.82	(3.74)
Grant	3.55	4.55	1.00	1,984.05	1,979.55	(4.50)
Greenbrier	-	-	-	5,182.35	5,183.60	1.25
Hampshire	-	-	-	3,680.40	3,669.50	(10.90)
Hancock	4.92	5.75	0.83	4,291.47	4,302.25	10.78
Hardy	2.12	2.15	0.03	2,335.81	2,316.85	(18.96)
Harrison	36.16	35.05	(1.11)	11,228.46	11,208.55	(19.91)
Jackson	3.75	2.05	(1.70)	5,028.21	5,059.45	31.24
Jefferson	-	-	-	8,282.64	8,359.69	77.05
Kanawha	-	-	-	28,026.78	28,046.17	19.39
Lewis	1.00	1.33	0.33	2,697.01	2,687.33	(9.68)
Lincoln	1.75	5.75	4.00	3,516.20	3,607.95	91.75
Logan	5.82	3.45	(2.37)	6,429.87	6,502.65	72.78
Marion	14.55	12.25	(2.30)	8,076.81	8,094.85	18.04
Marshall	-	-	-	4,943.19	4,852.34	(90.85)
Mason	8.15	-	(8.15)	4,341.85	4,240.50	(101.35)
McDowell	0.50	-	(0.50)	3,772.40	3,675.00	(97.40)
Mercer	15.55	14.52	(1.03)	9,487.65	9,492.75	5.10
Mineral	5.50	1.25	(4.25)	4,553.39	4,533.40	(20.00)
Mingo	-	0.85	0.85	4,549.50	4,681.35	131.85
Monongalia	27.25	23.50	(3.75)	10,237.47	10,304.72	67.25
Monroe	-	-	-	1,969.85	1,931.35	(38.50)
Morgan	-	-	-	2,718.15	2,692.00	(26.15)
Nicholas	3.25	4.25	1.00	4,110.95	4,083.63	(27.32)
Ohio	-	-	-	5,284.54	5,223.30	(61.24)
Pendleton	-	1.50	1.50	1,128.50	1,100.70	(27.80)
Pleasants	1.50	-	(1.50)	1,353.05	1,346.00	(7.05)
Pocahontas	-	-	-	1,187.53	1,188.20	0.67
Preston	0.25	1.00	0.75	4,555.05	4,548.80	(6.25)
Putnam	39.55	33.50	(6.05)	9,197.80	9,290.75	92.95
Raleigh	14.73	15.05	0.32	12,092.73	12,177.35	84.62
Randolph	2.55	0.75	(1.80)	4,414.13	4,425.35	11.22
Ritchie	2.00	0.75	(1.25)	1,598.05	1,586.25	(11.80)
Roane	2.55	2.19	(0.36)	2,533.00	2,535.99	2.99
Summers	-	-	-	1,554.98	1,530.50	(24.48)
Taylor	2.75	5.90	3.15	2,431.35	2,415.35	(16.00)
Tucker	-	-	-	1,151.01	1,127.00	(24.01)
Tyler	2.96	1.75	(1.21)	1,504.61	1,471.85	(32.76)
Upshur	3.50	6.08	2.58	3,859.85	3,864.48	4.63
Wayne	-	-	-	7,634.26	7,691.80	57.54
Webster	-	-	-	1,589.56	1,533.00	(56.56)
Wetzel	2.69	3.25	0.56	2,949.81	2,909.25	(40.56)
Wirt	-	-	-	992.16	951.00	(41.16)
Wood	-	-	-	13,422.61	13,424.80	2.19
Wyoming	35.55	32.50	(3.05)	4,168.56	4,164.70	(3.86)
<b>Total</b>	<b>271.52</b>	<b>246.26</b>	<b>(25.26)</b>	<b>280,285.82</b>	<b>280,413.43</b>	<b>127.60</b>

OSF  
12/11/08  
Enrollment 09

FISCAL YEARS JULY TO JUNE  
 WEST VIRGINIA DEPARTMENT OF EDUCATION  
 GENERAL EDUCATIONAL DEVELOPMENT TEST (GED)  
 EQUIVALENT HIGH SCHOOL DIPLOMA ISSUED

YEAR	NUMBER OF GED DIPLOMAS ISSUED	YEAR	NUMBER OF GED DIPLOMAS ISSUED	YEAR	NUMBER OF GED DIPLOMAS ISSUED
1947	3,559	1977	4,488	2007	3,245
1948	1,429	1978	5,087	2008	3,595
1949	1,795	1979	5,590		
1950	1,411	1980	7,023		
1951	1,318	1981	6,681		
1952	1,391	1982	6,107		
1953	1,410	1983	5,765		
1954	1,949	1984	5,681		
1955	1,998	1985	5,304		
1956	2,047	1986	5,309		
1957	2,094	1987	5,288		
1958	2,147	1988	5,978		
1959	2,290	1989	4,811		
1960	2,281	1990	3,350		
1961	2,171	1991	3,659		
1962	2,562	1992	4,312		
1963	2,730	1993	4,418		
1964	2,972	1994	4,108		
1965	3,098	1995	4,266		
1966	4,122	1996	4,469		
1967	5,289	1997	4,314		
1968	4,612	1998	3,961		
1969	3,965	1999	4,316		
1970	4,097	2000	3,556		
1971	3,605	2001	3,833		
1972	3,790	2002	4,393		
1973	3,401	2003	3,372		
1974	3,975	2004	4,122		
1975	4,274	2005	3,920		
1976	4,756	2006	3,680	TOTAL	230,944

# PERSONNEL

**CLASSIFICATION OF PROFESSIONAL PERSONNEL  
BY ASSIGNMENT AND FUNDING SOURCE (FTE BASIS)  
AS OF SECOND SCHOOL MONTH  
(EXCLUDING RESA PERSONNEL)  
2008-09 YEAR**

Position Assignment	State Aid Eligible	Other State Funds	Federal Funds	County Funds	Donations	Other Sources	Total
Superintendent	54.00	-	1.00	-	-	-	55.00
Deputy, Assoc. or Asst. Supt.	55.83	0.25	2.92	1.00	-	-	60.00
Administrative Assistant	-	-	-	7.05	-	-	7.05
Director/Manager (Instructional)	133.49	8.03	59.10	4.00	-	-	204.62
Director/Manager (Supportive Serv)	-	-	7.50	194.34	-	-	201.84
Treasurer/Chief School Business Off.	-	-	-	53.00	-	-	53.00
Principal, Elementary	416.45	-	1.00	-	-	-	417.45
Principal, Middle/Junior High	124.50	-	-	-	-	-	124.50
Principal, High School	133.15	-	0.05	1.00	-	-	134.20
Principal, Combined	23.00	0.50	-	-	-	-	23.50
Asst. Principal, Elementary	46.10	-	1.50	-	-	-	47.60
Asst. Principal, Middle/Jr High	105.85	-	1.00	-	-	-	106.85
Asst. Principal, High School	188.26	1.00	0.55	1.00	-	-	190.81
Asst. Principal, Combined	12.50	-	-	-	-	-	12.50
Head Teacher	27.00	1.00	1.00	-	-	-	29.00
Curriculum Specialist	55.54	2.96	110.09	2.00	-	-	170.59
Technology Integration Specialist	29.15	1.00	50.50	-	-	-	80.65
Librarian	362.05	-	1.00	-	-	-	363.05
Remedial Specialist	10.80	-	430.71	-	-	-	441.51
Counselor, Elementary	212.39	-	20.28	1.00	-	-	233.67
Counselor, Middle/Junior High	155.43	-	2.25	1.50	-	-	159.18
Counselor, High	276.55	1.35	5.35	-	-	-	283.25
Counselor, Combined	21.30	2.00	4.75	-	-	-	28.05
Teacher, Pre-Kindergarten	221.23	1.00	119.77	1.60	-	-	343.60
Teacher, Kindergarten	1,056.87	3.00	4.00	-	-	-	1,063.87
Teacher, Elementary	5,776.44	-	587.95	8.50	-	-	6,372.89
Teacher, Middle/Junior High	3,382.41	3.79	46.81	8.00	-	-	3,441.01
Teacher, High School	4,117.96	7.25	26.55	11.09	-	1.00	4,163.85
Teacher, Special Education	2,840.34	6.63	434.80	12.63	-	-	3,294.40
Teacher, Homebound	21.30	-	-	-	-	-	21.30
Teacher, Vocational (K-12)	928.98	6.15	13.06	13.72	-	-	961.91
Teacher, Vocational (PS)	-	85.32	-	13.68	-	-	99.00
Teacher, Vocational (Adult)	-	17.25	16.75	37.50	-	-	71.50
Teacher, Community Education	-	-	1.00	3.00	-	-	4.00
JROTC Instructor, Middle/Jr High	3.00	-	1.00	-	-	-	4.00
JROTC Instructor, High	38.20	-	12.30	9.50	-	-	60.00
Permanent Substitute, Elementary	14.00	-	-	0.50	-	-	14.50
Permanent Substitute, Middle/Jr.	7.50	-	-	-	-	-	7.50
Permanent Substitute, High	18.00	-	-	2.00	-	-	20.00
Speech Language Pathologist	405.00	-	50.89	2.50	-	-	458.39
Speech Assistant - PE	18.20	-	8.50	-	-	-	26.70
Curriculum Enrichment Instructor	-	-	-	1.00	6.00	-	7.00
Professional Accountant	-	-	1.00	11.00	-	-	12.00
Technology Systems Specialist	-	-	1.00	22.50	-	-	23.50
Psychologist	80.31	2.25	20.94	1.00	-	-	104.50
Registered Nurse	-	1.00	1.00	2.00	-	-	4.00
School Nurse (Below AB)	-	2.00	-	8.00	-	-	10.00
School Nurse (AB)	203.15	11.40	13.09	11.00	-	0.50	239.14
Attendance Director	47.15	1.00	3.00	-	-	-	51.15
Attendance Officer	15.75	-	-	-	-	-	15.75
Social Worker	-	-	19.90	12.40	-	-	32.30
Physical Therapist	-	-	4.75	16.00	-	-	20.75
Occupational Therapist	-	-	16.50	23.00	-	-	39.50
Dental Hygienist	-	-	-	1.50	-	-	1.50
Audiologist	-	-	0.50	2.00	-	-	2.50
Psychometrist	-	-	1.00	3.00	-	-	4.00
<b>Total</b>	<b>21,639.13</b>	<b>166.13</b>	<b>2,106.61</b>	<b>504.51</b>	<b>6.00</b>	<b>1.50</b>	<b>24,423.88</b>

OSF

01/08/09

Classification Report 09

DISTRIBUTION OF PROFESSIONAL PERSONNEL (FTE BASIS)  
 BY SALARY CLASSIFICATION AND YEARS EXPERIENCE  
 ALL FUNDING SOURCES - ALL DISTRICTS  
 2008-09 YEAR

Years Exp.	3rd Class	A.B.	A.B. +15	M.A.	M.A. +15	M.A. +30	M.A. +45	Doc-torate	Total
0	5.00	668.26	37.65	153.00	37.00	30.50	24.50	3.00	958.91
1	4.00	611.31	95.85	117.10	36.00	36.00	16.10	3.00	919.36
2	4.00	522.50	155.82	147.50	59.00	44.50	37.50	3.00	973.82
3	1.00	406.60	213.50	118.10	76.50	66.00	43.50	2.00	927.20
4	3.00	291.50	207.00	147.00	93.50	75.50	53.50	3.00	874.00
5	3.00	253.50	171.50	109.00	108.00	74.00	70.00	-	789.00
6	2.00	173.60	186.00	92.35	77.87	75.10	69.50	6.00	682.42
7	1.00	133.50	185.00	89.00	94.00	79.00	83.00	1.00	665.50
8	2.00	97.50	174.50	84.50	90.00	78.50	67.50	1.00	595.50
9	-	93.17	192.90	66.00	92.10	93.50	105.50	4.00	647.17
10	2.00	80.00	170.00	60.00	121.50	107.50	113.90	1.00	655.90
11	3.00	63.98	188.43	50.00	83.30	108.00	133.00	2.00	631.71
12	7.00	44.00	164.50	48.00	94.00	98.50	109.00	3.00	568.00
13	3.00	33.00	155.50	33.00	79.00	82.80	114.00	3.00	502.30
14	2.00	35.00	125.50	28.00	71.60	94.50	132.50	2.00	492.10
15	1.00	27.50	119.00	28.50	65.00	75.00	142.00	5.00	463.00
16	1.00	24.00	107.50	21.50	58.00	86.50	137.00	4.00	439.50
17	1.00	25.00	134.00	31.00	42.00	65.00	129.00	3.00	430.00
18	-	24.00	142.30	24.50	54.00	98.50	155.00	3.00	501.30
19	3.00	24.50	170.50	30.00	48.00	105.00	214.00	5.00	600.00
20	-	24.00	163.80	26.50	49.00	85.50	250.00	5.00	603.80
21	-	16.00	171.00	26.00	70.00	70.00	216.50	2.00	571.50
22	-	19.00	193.00	18.00	54.75	105.00	240.00	4.00	633.75
23	-	18.00	172.50	28.00	60.50	91.50	268.50	4.00	643.00
24	1.00	12.00	166.45	20.50	49.00	107.00	299.50	5.50	660.95
25	-	12.00	182.50	23.00	49.50	74.00	294.00	10.00	645.00
26	1.00	11.75	155.00	22.00	35.80	108.00	275.00	6.00	614.55
27	-	14.00	141.00	20.50	39.00	89.00	293.00	5.00	601.50
28	-	11.50	172.00	35.00	39.50	96.50	334.34	2.00	690.84
29	1.00	10.00	176.75	27.00	48.00	114.00	378.50	7.00	762.25
30	-	10.00	160.60	25.50	49.50	114.13	342.00	5.00	706.72
31	1.00	8.00	140.00	24.00	31.00	107.50	399.40	9.00	719.90
32	1.00	12.00	130.00	22.00	30.50	80.00	344.50	4.00	624.00
33	-	8.00	149.48	15.00	38.00	76.00	384.00	5.00	675.48
34	-	13.00	117.00	19.00	28.00	63.50	305.10	5.00	550.60
35+	1.00	25.00	251.50	49.00	70.50	179.29	805.58	21.50	1,403.37
Total	54.00	3,856.66	5,739.52	1,879.05	2,222.92	3,134.81	7,379.92	157.00	24,423.88

OSF  
 03/23/09  
 Scattergram All Personnel 09

**COUNTY BOARDS OF EDUCATION  
AVERAGE CONTRACTED SALARIES - PROFESSIONAL PERSONNEL  
(EXCLUDING RESA PERSONNEL)  
2008-09 YEAR**

County	FTE	Average Salary
Barbour	213.50	\$ 45,235.55
Berkeley	1,450.75	47,296.10
Boone	444.00	47,608.64
Braxton	219.50	46,290.44
Brooke	302.50	47,676.80
Cabell	1,068.45	46,820.64
Calhoun	107.50	44,309.64
Clay	171.00	46,144.35
Doddridge	117.50	45,564.13
Fayette	607.00	47,229.78
Gilmer	88.60	45,661.22
Grant	179.50	44,327.64
Greenbrier	465.60	46,634.64
Hampshire	298.73	44,067.14
Hancock	366.00	48,055.23
Hardy	176.50	45,947.54
Harrison	948.11	47,692.67
Jackson	440.50	48,413.63
Jefferson	707.78	45,064.17
Kanawha	2,461.50	48,077.90
Lewis	236.50	46,732.40
Lincoln	321.00	45,423.09
Logan	532.00	46,201.73
Marion	704.20	46,690.68
Marshall	418.00	49,992.65
Mason	387.00	46,334.91
McDowell	351.00	47,071.71
Mercer	829.00	46,111.96
Mineral	393.50	48,211.57
Mingo	420.50	46,813.81
Monongalia	905.80	46,988.66
Monroe	177.97	43,116.54
Morgan	231.25	44,695.60
Nicholas	370.00	45,938.94
Ohio	459.67	48,909.00
Pendleton	101.43	46,811.91
Pleasants	131.00	51,104.96
Pocahontas	112.50	44,926.51
Preston	412.55	44,840.64
Putnam	774.00	49,771.58
Raleigh	1,032.80	46,281.59
Randolph	382.90	47,339.69
Ritchie	145.00	47,251.79
Roane	211.50	45,260.40
Summers	140.00	45,713.77
Taylor	191.50	47,632.19
Tucker	101.00	45,627.75
Tyler	140.00	46,755.80
Upshur	335.80	46,476.18
Wayne	651.50	44,587.43
Webster	141.50	45,142.71
Wetzel	256.75	49,764.49
Wirt	93.00	42,535.11
Wood	1,115.50	48,678.89
Wyoming	381.75	46,941.34
<b>Total</b>	<b>24,423.88</b>	<b>\$ 47,002.16</b>

OSF3

01/08/09

Avg Contracted Salary PE- All positions 09



**COUNTY BOARDS OF EDUCATION  
AVERAGE CONTRACTED SALARIES - CLASSROOM TEACHERS  
(EXCLUDING RESA PERSONNEL)  
2008-09 YEAR**

County	FTE	Average Salary
Barbour	180.60	\$ 43,877.38
Berkeley	1,208.00	44,475.50
Boone	369.50	45,157.31
Braxton	180.50	43,865.15
Brooke	248.81	45,572.07
Cabell	851.95	44,553.14
Calhoun	87.50	41,476.87
Clay	148.20	43,902.25
Doddridge	88.00	43,822.63
Fayette	504.50	45,160.40
Gilmer	65.10	43,438.91
Grant	142.50	42,384.43
Greenbrier	373.10	44,259.82
Hampshire	244.73	41,647.05
Hancock	293.00	45,263.88
Hardy	143.50	43,882.76
Harrison	741.11	45,203.20
Jackson	352.25	46,177.92
Jefferson	596.28	42,425.30
Kanawha	1,959.00	45,802.69
Lewis	183.50	44,544.05
Lincoln	265.00	43,279.99
Logan	438.00	44,040.15
Marion	597.70	44,771.06
Marshall	334.50	48,050.63
Mason	327.00	44,407.85
McDowell	264.50	44,307.41
Mercer	676.00	44,195.59
Mineral	321.28	45,657.73
Mingo	324.00	44,017.54
Monongalia	704.00	44,466.57
Monroe	148.97	41,615.15
Morgan	179.20	41,872.95
Nicholas	313.00	44,050.16
Ohio	357.50	46,420.85
Pendleton	86.43	44,812.49
Pleasants	105.50	48,032.42
Pocahontas	88.50	42,533.01
Preston	337.80	43,600.34
Putnam	637.50	47,419.84
Raleigh	812.50	43,704.47
Randolph	321.00	45,345.62
Ritchie	112.50	45,206.80
Roane	179.00	43,388.21
Summers	103.97	42,880.16
Taylor	154.50	46,014.89
Tucker	81.00	43,309.08
Tyler	109.00	44,643.43
Upshur	280.30	44,712.69
Wayne	529.30	42,338.90
Webster	110.00	43,561.11
Wetzel	211.51	47,420.90
Wirt	77.00	39,823.83
Wood	923.00	46,256.31
Wyoming	325.25	44,495.80
<b>Total</b>	<b>19,797.83</b>	<b>\$ 44,700.51</b>

OSF3

03/13/09

Avg Contracted Salary-Teachers 09

**TEACHERS' STATE MINIMUM SALARY SCHEDULE  
STATE BASIC SALARY WITHOUT EQUITY  
SCHEDULE COMPLETELY FILLED IN  
FOR THE 2008-09 YEAR**

Years Exp.	4th Class	3rd Class	2nd Class	A.B. A.B.	A.B. +15	M.A. M.A.	M.A. +15	M.A. +30	M.A. +45	Doc- torate
0	25,651	26,311	26,575	27,827	28,588	30,355	31,116	31,877	32,638	33,673
1	25,979	26,639	26,903	28,345	29,106	30,874	31,635	32,395	33,156	34,191
2	26,308	26,967	27,231	28,864	29,625	31,392	32,153	32,914	33,675	34,710
3	26,636	27,295	27,559	29,383	30,143	31,911	32,672	33,432	34,193	35,228
4	27,208	27,867	28,131	30,145	30,906	32,674	33,435	34,195	34,956	35,991
5	27,536	28,195	28,459	30,664	31,425	33,192	33,953	34,714	35,475	36,510
6	27,864	28,523	28,787	31,182	31,943	33,711	34,472	35,232	35,993	37,028
7	28,192	28,852	29,115	31,701	32,462	34,229	34,990	35,751	36,512	37,547
8	28,520	29,180	29,444	32,219	32,980	34,748	35,509	36,269	37,030	38,065
9	28,848	29,508	29,772	32,738	33,499	35,266	36,027	36,788	37,549	38,584
10	29,177	29,836	30,100	33,258	34,018	35,786	36,547	37,308	38,068	39,103
11	29,505	30,164	30,428	33,776	34,537	36,305	37,065	37,826	38,587	39,622
12	29,833	30,492	30,756	34,295	35,055	36,823	37,584	38,345	39,105	40,140
13	30,161	30,820	31,084	34,813	35,574	37,342	38,102	38,863	39,624	40,659
14	30,489	31,148	31,412	35,332	36,092	37,860	38,621	39,382	40,142	41,177
15	30,817	31,476	31,740	35,850	36,611	38,379	39,139	39,900	40,661	41,696
16	31,145	31,804	32,068	36,369	37,129	38,897	39,658	40,419	41,179	42,214
17	31,473	32,133	32,396	36,887	37,648	39,416	40,177	40,937	41,698	42,733
18	31,801	32,461	32,725	37,406	38,167	39,934	40,695	41,456	42,217	43,252
19	32,129	32,789	33,053	37,924	38,685	40,453	41,214	41,974	42,735	43,770
20	32,457	33,117	33,381	38,443	39,204	40,971	41,732	42,493	43,254	44,289
21	32,786	33,445	33,709	38,961	39,722	41,490	42,251	43,011	43,772	44,807
22	33,114	33,773	34,037	39,480	40,241	42,008	42,769	43,530	44,291	45,326
23	33,442	34,101	34,365	39,999	40,759	42,527	43,288	44,048	44,809	45,844
24	33,770	34,429	34,693	40,517	41,278	43,046	43,806	44,567	45,328	46,363
25	34,098	34,757	35,021	41,036	41,796	43,564	44,325	45,086	45,846	46,881
26	34,426	35,085	35,349	41,554	42,315	44,083	44,843	45,604	46,365	47,400
27	34,754	35,413	35,677	42,073	42,833	44,601	45,362	46,123	46,883	47,918
28	35,082	35,742	36,005	42,591	43,352	45,120	45,880	46,641	47,402	48,437
29	35,410	36,070	36,334	43,110	43,870	45,638	46,399	47,160	47,920	48,955
30	35,738	36,398	36,662	43,628	44,389	46,157	46,917	47,678	48,439	49,474
31	36,067	36,726	36,990	44,147	44,908	46,675	47,436	48,197	48,957	49,992
32	36,395	37,054	37,318	44,665	45,426	47,194	47,955	48,715	49,476	50,511
33	36,723	37,382	37,646	45,184	45,945	47,712	48,473	49,234	49,995	51,030
34	37,051	37,710	37,974	45,702	46,463	48,231	48,992	49,752	50,513	51,548
35	37,379	38,038	38,302	46,221	46,982	48,749	49,510	50,271	51,032	52,067

Note: This schedule does not include the \$600 supplement for classroom teachers with at least 20 years of teaching experience (WVC §18A-4-2), the \$3,500 supplement for those with national certification from the National Board of Professional Teaching Standards (NBPTS) (WVC §18A-4-2a), or the \$2,500 supplement for speech-language pathologists, audiologists, counselors, school psychologists, or school nurses with national certification (WVC §18A-4-4b).

OSF  
03/10/08  
State Salary Schedules 09

**TEACHERS' STATE MINIMUM SALARY SCHEDULE  
STATE EQUITY SUPPLEMENT SCHEDULE  
SCHEDULE COMPLETELY FILLED IN  
FOR THE 2008-09 YEAR**

Years Exp.	4th Class	3rd Class	2nd Class	A.B. A.B.	A.B. +15	M.A. M.A.	M.A. +15	M.A. +30	M.A. +45	Doc- torate
0	1,781	1,796	1,877	2,360	2,452	2,644	2,740	2,836	2,836	2,927
1	1,819	1,863	1,946	2,429	2,521	2,713	2,809	2,905	2,905	2,996
2	1,857	1,930	2,015	2,498	2,590	2,782	2,878	2,974	2,974	3,065
3	1,895	1,997	2,084	2,567	2,659	2,851	2,947	3,043	3,043	3,134
4	1,933	2,064	2,153	2,636	2,728	2,920	3,016	3,112	3,112	3,203
5	1,971	2,131	2,222	2,705	2,797	2,989	3,085	3,181	3,181	3,272
6	2,009	2,198	2,291	2,774	2,866	3,058	3,154	3,250	3,250	3,341
7	2,047	2,265	2,360	2,843	2,935	3,127	3,223	3,319	3,319	3,410
8	2,085	2,332	2,429	2,912	3,004	3,196	3,292	3,388	3,388	3,479
9	2,123	2,399	2,498	2,981	3,073	3,265	3,361	3,457	3,457	3,548
10	2,161	2,466	2,567	3,050	3,142	3,334	3,430	3,526	3,526	3,617
11	2,199	2,533	2,636	3,119	3,211	3,403	3,499	3,595	3,595	3,686
12	2,237	2,600	2,705	3,188	3,280	3,472	3,568	3,664	3,664	3,755
13	2,275	2,667	2,774	3,257	3,349	3,541	3,637	3,733	3,733	3,824
14	2,313	2,734	2,843	3,326	3,418	3,610	3,706	3,802	3,802	3,893
15	2,351	2,801	2,912	3,395	3,487	3,679	3,775	3,871	3,871	3,962
16	2,389	2,868	2,981	3,464	3,556	3,748	3,844	3,940	3,940	4,031
17	2,427	2,935	3,050	3,533	3,625	3,817	3,913	4,009	4,009	4,100
18	2,465	3,002	3,119	3,602	3,694	3,886	3,982	4,078	4,078	4,169
19	2,503	3,069	3,188	3,671	3,763	3,955	4,051	4,147	4,147	4,238
20	2,541	3,136	3,257	3,740	3,832	4,024	4,120	4,216	4,216	4,307
21	2,579	3,203	3,326	3,809	3,901	4,093	4,189	4,285	4,285	4,376
22	2,617	3,270	3,395	3,878	3,970	4,162	4,258	4,354	4,354	4,445
23	2,655	3,337	3,464	3,947	4,039	4,231	4,327	4,423	4,423	4,514
24	2,693	3,404	3,533	4,016	4,108	4,300	4,396	4,492	4,492	4,583
25	2,731	3,471	3,602	4,085	4,177	4,369	4,465	4,561	4,561	4,652
26	2,769	3,538	3,671	4,154	4,246	4,438	4,534	4,630	4,630	4,721
27	2,807	3,605	3,740	4,223	4,315	4,507	4,603	4,699	4,699	4,790
28	2,845	3,672	3,809	4,292	4,384	4,576	4,672	4,768	4,768	4,859
29	2,883	3,739	3,878	4,361	4,453	4,645	4,741	4,837	4,837	4,928
30	2,921	3,806	3,947	4,430	4,522	4,714	4,810	4,906	4,906	4,997
31	2,959	3,873	4,016	4,499	4,591	4,783	4,879	4,975	4,975	5,066
32	2,997	3,940	4,085	4,568	4,660	4,852	4,948	5,044	5,044	5,135
33	3,035	4,007	4,154	4,637	4,729	4,921	5,017	5,113	5,113	5,204
34	3,073	4,074	4,223	4,706	4,798	4,990	5,086	5,182	5,182	5,273
35	3,111	4,141	4,292	4,775	4,867	5,059	5,155	5,251	5,251	5,342

Note: This schedule does not include the \$600 supplement for classroom teachers with at least 20 years of teaching experience (WVC §18A-4-2), the \$3,500 supplement for those with national certification from the National Board of Professional Teaching Standards (NBPTS) (WVC §18A-4-2a), or the \$2,500 supplement for speech-language pathologists, audiologists, counselors, school psychologists, or school nurses with national certification (WVC §18A-4-4b).

OSF  
03/10/08  
State Salary Schedules 09

**TEACHERS' STATE MINIMUM SALARY SCHEDULE  
STATE TOTAL SALARY (BASIC PLUS EQUITY)  
SCHEDULE COMPLETELY FILLED IN  
FOR THE 2008-09 YEAR**

Years Exp.	4th Class	3rd Class	2nd Class	A.B. A.B.	A.B. +15	M.A. M.A.	M.A. +15	M.A. +30	M.A. +45	Doc- torate
0	27,432	28,107	28,452	30,187	31,040	32,999	33,856	34,713	35,474	36,600
1	27,798	28,502	28,849	30,774	31,627	33,587	34,444	35,300	36,061	37,187
2	28,165	28,897	29,246	31,362	32,215	34,174	35,031	35,888	36,649	37,775
3	28,531	29,292	29,643	31,950	32,802	34,762	35,619	36,475	37,236	38,362
4	29,141	29,931	30,284	32,781	33,634	35,594	36,451	37,307	38,068	39,194
5	29,507	30,326	30,681	33,369	34,222	36,181	37,038	37,895	38,656	39,782
6	29,873	30,721	31,078	33,956	34,809	36,769	37,626	38,482	39,243	40,369
7	30,239	31,117	31,475	34,544	35,397	37,356	38,213	39,070	39,831	40,957
8	30,605	31,512	31,873	35,131	35,984	37,944	38,801	39,657	40,418	41,544
9	30,971	31,907	32,270	35,719	36,572	38,531	39,388	40,245	41,006	42,132
10	31,338	32,302	32,667	36,308	37,160	39,120	39,977	40,834	41,594	42,720
11	31,704	32,697	33,064	36,895	37,748	39,708	40,564	41,421	42,182	43,308
12	32,070	33,092	33,461	37,483	38,335	40,295	41,152	42,009	42,769	43,895
13	32,436	33,487	33,858	38,070	38,923	40,883	41,739	42,596	43,357	44,483
14	32,802	33,882	34,255	38,658	39,510	41,470	42,327	43,184	43,944	45,070
15	33,168	34,277	34,652	39,245	40,098	42,058	42,914	43,771	44,532	45,658
16	33,534	34,672	35,049	39,833	40,685	42,645	43,502	44,359	45,119	46,245
17	33,900	35,068	35,446	40,420	41,273	43,233	44,090	44,946	45,707	46,833
18	34,266	35,463	35,844	41,008	41,861	43,820	44,677	45,534	46,295	47,421
19	34,632	35,858	36,241	41,595	42,448	44,408	45,265	46,121	46,882	48,008
20	34,998	36,253	36,638	42,183	43,036	44,995	45,852	46,709	47,470	48,596
21	35,365	36,648	37,035	42,770	43,623	45,583	46,440	47,296	48,057	49,183
22	35,731	37,043	37,432	43,358	44,211	46,170	47,027	47,884	48,645	49,771
23	36,097	37,438	37,829	43,946	44,798	46,758	47,615	48,471	49,232	50,358
24	36,463	37,833	38,226	44,533	45,386	47,346	48,202	49,059	49,820	50,946
25	36,829	38,228	38,623	45,121	45,973	47,933	48,790	49,647	50,407	51,533
26	37,195	38,623	39,020	45,708	46,561	48,521	49,377	50,234	50,995	52,121
27	37,561	39,018	39,417	46,296	47,148	49,108	49,965	50,822	51,582	52,708
28	37,927	39,414	39,814	46,883	47,736	49,696	50,552	51,409	52,170	53,296
29	38,293	39,809	40,212	47,471	48,323	50,283	51,140	51,997	52,757	53,883
30	38,659	40,204	40,609	48,058	48,911	50,871	51,727	52,584	53,345	54,471
31	39,026	40,599	41,006	48,646	49,499	51,458	52,315	53,172	53,932	55,058
32	39,392	40,994	41,403	49,233	50,086	52,046	52,903	53,759	54,520	55,646
33	39,758	41,389	41,800	49,821	50,674	52,633	53,490	54,347	55,108	56,234
34	40,124	41,784	42,197	50,408	51,261	53,221	54,078	54,934	55,695	56,821
35	40,490	42,179	42,594	50,996	51,849	53,808	54,665	55,522	56,283	57,409

Note: This schedule does not include the \$600 supplement for classroom teachers with at least 20 years of teaching experience (WVC §18A-4-2), the \$3,500 supplement for those with national certification from the National Board of Professional Teaching Standards (NBPTS) (WVC §18A-4-2a), or the \$2,500 supplement for speech-language pathologists, audiologists, counselors, school psychologists, or school nurses with national certification (WVC §18A-4-4b).

OSF  
03/10/08  
State Salary Schedules 09

**PRINCIPALS AND ASSISTANT PRINCIPALS  
STATE MINIMUM SALARY INCREMENT SCHEDULE  
FOR THE 2008-09 YEAR**

Degree Classification	A.B.	A.B. +15	M.A.	M.A. +15	M.A. +30	M.A. +45	Doc- torate
State Basic Salary	27,827	28,588	30,355	31,116	31,877	32,638	33,673

PRINCIPALS SALARY INCREMENT SCHEDULE								
Number Teachers Supervised	Rate	A.B.	A.B. +15	M.A.	M.A. +15	M.A. +30	M.A. +45	Doc- torate
1 - 7	11.00%	3,061	3,145	3,339	3,423	3,506	3,590	3,704
8 - 14	11.50%	3,200	3,288	3,491	3,578	3,666	3,753	3,872
15 - 24	12.00%	3,339	3,431	3,643	3,734	3,825	3,917	4,041
25 - 38	12.50%	3,478	3,574	3,794	3,890	3,985	4,080	4,209
39 - 57	13.00%	3,618	3,716	3,946	4,045	4,144	4,243	4,377
58 - Up	13.50%	3,757	3,859	4,098	4,201	4,303	4,406	4,546

ASSISTANT PRINCIPALS SALARY INCREMENT SCHEDULE								
Number Teachers Supervised	Rate	A.B.	A.B. +15	M.A.	M.A. +15	M.A. +30	M.A. +45	Doc- torate
1 - 7	5.50%	1,530	1,572	1,670	1,711	1,753	1,795	1,852
8 - 14	5.75%	1,600	1,644	1,745	1,789	1,833	1,877	1,936
15 - 24	6.00%	1,670	1,715	1,821	1,867	1,913	1,958	2,020
25 - 38	6.25%	1,739	1,787	1,897	1,945	1,992	2,040	2,105
39 - 57	6.50%	1,809	1,858	1,973	2,023	2,072	2,121	2,189
58 - Up	6.75%	1,878	1,930	2,049	2,100	2,152	2,203	2,273

Notes: (1) Reference - West Virginia Code §18A-4-3.

OSF  
3/10/08  
State Salary Schedules 09

**SUMMARY OF INCREASES TO TEACHERS  
STATE BASIC SALARY SCHEDULE  
1975-76 THROUGH 2008-09**

	A.B.	A.B. +15	M.A.	M.A. +15	M.A. +30	M.A. +45(d)	Doc- torate	Exp. Incr.
Basic salary 1975-76	7,655	7,959	8,263	8,565	8,869	-	9,172	146
Basic salary increases:								
1976-77	1,000	1,000	1,000	1,000	1,000	-	1,000	-
1977-78	-	86	172	260	346	-	433	59
1978-79	-	110	220	330	440	-	550	52
1979-80	150	250	350	450	550	-	650	64
1980-81	950	950	950	950	950	-	950	-
1981-82	1,900	1,900	1,900	1,900	1,900	-	1,900	-
1982-83	-	-	-	-	-	-	-	-
1983-84	-	-	-	-	-	-	-	-
1984-85 (a)	800	800	800	800	800	-	800	40
1985-86 (b)	200	300	400	500	600	-	700	20
1986-87	600	600	600	600	600	-	600	-
1987-88	-	-	-	-	-	-	-	-
1988-89	-	-	-	-	-	-	-	-
1989-90 (c)	663	698	733	768	803	-	838	19
1990-91	2,000	2,000	2,000	2,000	2,000	-	2,000	-
1991-92	1,000	1,000	1,000	1,000	1,000	-	1,000	-
1992-93	2,000	2,000	2,973	2,973	2,973	-	3,238	-
1993-94	-	-	-	-	-	-	-	-
1994-95 (d)	500	500	500	500	500	24,066	1,235	40
1995-96	-	-	-	-	-	-	-	-
1996-97	500	500	500	500	500	500	500	25
1997-98	-	-	-	-	-	-	-	-
1998-99	756	756	756	756	756	756	756	-
1999-2000	756	756	756	756	756	756	756	-
2000-01	756	756	756	756	756	756	756	-
2001-02 (e)	1,000	1,000	1,000	1,000	1,000	1,000	1,000	-
2002-03 (f)	804	804	804	804	804	804	804	36
2003-04	-	-	-	-	-	-	-	-
2004-05	-	-	-	-	-	-	-	-
2005-06 (g)	1,350	1,350	1,350	1,350	1,350	1,350	1,350	-
2006-07	-	-	-	-	-	-	-	-
2007-08 (h)	887	913	972	998	1,024	1,050	1,085	18
2008-09	1,600	1,600	1,600	1,600	1,600	1,600	1,600	-
<b>Total increase</b>	<b>20,172</b>	<b>20,629</b>	<b>22,092</b>	<b>22,551</b>	<b>23,008</b>	<b>32,638</b>	<b>24,501</b>	<b>373</b>
Basic salary 2008-09	27,827	28,588	30,355	31,116	31,877	32,638	33,673	519
Annual experience increment:								
Years 1 - 3	519	519	519	519	519	519	519 (h)	
Year 4	763	763	763	763	763	763	763	
Years 5 - 35	519	519	519	519	519	519	519	
Max. years for increase	35	35	35	35	35	35	35	
Max incremental increase	18,394	18,394	18,394	18,394	18,394	18,394	18,394	
Basic salary with max exper- ience increment 2008-09	46,221	46,982	48,749	49,510	50,271	51,032	52,067	

Notes:

- (a) Salary equity began in 1984-85 with experience increment increases of \$69/yr; salaries shown do not include salary equity.
- (b) Classroom teachers with 20 years of teaching experience provided an additional \$600 annually.
- (c) The 5% increase in basic salaries in 1988-89 was provided the second half of the year.
- (d) MA+45 salary classification created beginning with the 1994-95 year.
- (e) In addition to the \$1,000 increase in basic salaries, the \$534 experience increment (\$465 basic salaries plus \$69 equity) was extended to those with 31 - 35 years of experience; all increases were made effective the 2nd quarter.
- (f) In addition to the \$804 increase in basic salaries, the experience increment was increased from \$534 to \$570 (\$501 basic salaries plus \$69 equity), and the \$570 experience increment was extended to those with 29 and 30 years of experience.
- (g) In addition to the \$1,350 increase in basic salary, effective the first day of the second quarter, the experience increment of \$570 (\$501 basic salary plus \$69 equity) was extended one year for the 2005-06 year, three years for the 2006-07 year, three additional years for the 2007-08 year, and the salary schedule was completely filled in from 1 - 35 years for the 2008-09 year.
- (h) Basic salaries increased by 3.5% for the 2007-08 year, which also increased the experience increment by \$17.54 per year, making the total experience increment \$588 per year (\$519 in basic salaries plus \$69 equity), except between the 3rd and 4th year where the total increase is \$832(\$763 in basic salaries plus \$69 equity).

OSF - 04/22/08  
Salary History

TABLE A2.1  
A PROFILE OF WEST VIRGINIA'S 2006-2008 PUBLIC SCHOOL EDUCATORS

	2005-2006		2006-2007		2007-2008	
	NUMBER	PERCENTAGE	NUMBER	PERCENTAGE	NUMBER	PERCENTAGE
<b>AGE DISTRIBUTION</b>	N = 24,120		N = 24,365		N = 24,305	
Number and Percent in Age Group:						
Over 60	872	3.62%	971	3.99%	1188	4.89%
55-60	4,654	19.30%	5,106	20.96%	5454	22.44%
50-54	6,007	26.41%	5,494	22.55%	4890	20.12%
40-49	6,370	26.41%	5,990	24.58%	5723	23.55%
30-39	3,988	16.53%	4,242	17.41%	4410	18.14%
20-29	2,229	9.24%	2,562	10.52%	2640	10.86%
<b>STATE AVERAGE AGE</b>	46.39 Years		46.05 Years		46.00 Years	
<b>TOTAL YEARS EXPERIENCE IN EDUCATION</b>	N = 24,120		N = 24,365		N = 24,305	
Number & Years:						
31 & up	3,491	14.47%	3,728	15.30%	3860	15.88%
26-30	4,231	17.54%	3,932	16.14%	3649	15.01%
21-25	3,488	14.46%	3,325	13.65%	3275	13.47%
16-20	3,241	13.44%	3,010	12.35%	2725	11.21%
11-15	2,349	9.74%	2,348	9.64%	2461	10.13%
6-10	2,985	12.38%	3,116	12.79%	3222	13.26%
4-5	1,203	4.99%	1,331	5.46%	1459	6.00%
0-3	3,132	12.99%	3,575	14.67%	3655	15.04%
<b>STATE AVERAGE EXPERIENCE</b>	18.14		17.94		17.58	
<b>SALARY CLASSIFICATION STATUS</b>	N = 24,120		N = 24,365		N = 24,305	
Number and Percent Having:						
Doctorate	163	0.68%	157	0.64%	150	0.61%
Master's + 45	7,656	31.74%	7,580	31.11%	7483	30.79%
Master's + 30	3,320	13.76%	3,223	13.23%	3178	13.06%
Master's + 15	2,191	9.08%	2,212	9.08%	2230	9.18%
Master's	1,621	6.72%	1,756	7.21%	1781	7.33%
Bachelor's + 15	6,045	25.06%	5,890	24.17%	5764	23.72%
Bachelor's	3,080	12.77%	3,490	14.32%	3673	15.11%
No Degree	44	0.18%	57	0.23%	44	0.18%

TABLE A2.2 A  
 PROFILE OF WEST VIRGINIA'S  
 2008-2009 PUBLIC SCHOOL ADMINISTRATORS

	2006-2007		2007-2008		2008-2009	
	NUMBER	PERCENTAGE	NUMBER	PERCENTAGE	NUMBER	PERCENTAGE
TOTAL ADMINISTRATORS	N = 1,933		N = 1,928		N = 1,995	
AGE DISTRIBUTION Number and Percent in Age Group:						
Over 60	115	5.95%	136	7.05%	183	9.17%
55-60	604	31.25%	620	32.16%	586	29.37%
50-54	484	25.04%	431	22.35%	417	20.90%
40-49	492	25.45%	487	25.26%	495	24.81%
30-39	207	10.71%	218	11.31%	239	11.98%
20-29	31	1.60%	36	1.87%	35	1.75%
STATE AVERAGE AGE	50.36 Years		50.00 Years		50.00 Years	
TOTAL YRS EXPERIENCE IN EDUCATION Number & Years:	N = 1,933		N = 1,928		N = 1,995	
31 & up	595	30.78%	611	31.69%	633	31.73%
26 - 30	410	21.21%	369	19.14%	330	16.54%
21 - 25	296	15.31%	310	16.08%	323	16.19%
16 - 20	238	12.31%	219	11.36%	221	11.08%
11-15	170	8.79%	189	9.80%	191	9.57%
6-10	124	6.41%	154	7.99%	163	8.17%
4-5	39	2.02%	34	1.76%	49	2.46%
0-3	61	3.16%	42	2.18%	45	2.26%
STATE AVERAGE EXPERIENCE	24.23 Years		24.10 Years		23.95 Years	
SALARY CLASSIFICATION STATUS Number & Percent Having:	N = 1,933		N = 1,928		N = 1,995	
Doctorate	81	4.19%	75	3.89%	68	3.41%
Master's +45	1,238	64.05%	1240	64.31%	1248	62.56%
Master's +30	310	16.04%	298	15.46%	308	15.44%
Master's +15	102	5.28%	106	5.50%	114	5.71%
Master's	90	4.66%	98	5.08%	91	4.56%
Bachelor's +15	35	1.81%	42	2.18%	42	2.11%
Bachelor's	72	3.72%	65	3.37%	79	3.96%
No Degree	5	0.25%	3	0.16%	3	0.15%



TABLE A2.3  
AGE DISTRIBUTION OF EMPLOYED WEST VIRGINIA EDUCATORS  
2008-2009 SCHOOL YEAR  
BY COUNTY

COUNTY	NUMBER OF COUNTY EDUCATORS	Number of Educators within Span and Percentage of Total												Average Age (Years)
		Ages 20-29		Ages 30-39		Ages 40-49		Ages 50-54		Ages 55-60		Over 60		
		N	%	N	%	N	%	N	%	N	%	N	%	
BARBOUR	216	29	13.43	41	18.98	61	28.24	46	21.30	35	16.20	4	1.85	44
BERKELEY	1452	250	17.22	369	25.41	320	22.04	182	12.53	239	16.46	92	6.34	42
BOONE	437	55	12.59	79	18.08	108	24.71	93	21.28	92	21.05	10	2.29	45
BRAXTON	217	24	11.06	26	11.98	64	29.49	47	21.66	48	22.12	8	3.69	46
BROOKE	303	28	9.24	51	16.83	54	17.82	62	20.46	90	29.70	18	5.94	47
CABELL	1058	125	11.81	210	19.85	232	21.93	179	16.92	250	23.63	62	5.86	45
CALHOUN	107	18	16.82	20	18.69	30	28.04	22	20.56	17	15.89		0.00	43
CLAY	170	18	10.59	36	21.18	54	31.76	27	15.88	29	17.06	6	3.53	44
DODDRIDGE	117	14	11.97	22	18.80	33	28.21	21	17.95	25	21.37	2	1.71	44
FAYETTE	599	54	9.02	98	16.36	128	21.37	134	22.37	148	24.71	37	6.18	47
GILMER	87	11	12.64	14	16.09	24	27.59	15	17.24	15	17.24	8	9.20	46
GRANT	180	31	17.22	34	18.89	41	22.78	25	13.89	42	23.33	7	3.89	44
GREENBRIER	464	49	10.56	77	16.59	96	20.69	90	19.40	117	25.22	35	7.54	47
HAMPSHIRE	293	42	14.33	75	25.60	63	21.50	46	15.70	52	17.75	15	5.12	43
HANCOCK	362	40	11.05	65	17.96	64	17.68	46	12.71	119	32.87	28	7.73	47
HARDY	177	21	11.86	40	22.60	38	21.47	37	20.90	32	18.08	9	5.08	45
HARRISON	977	100	10.24	188	19.24	231	23.64	201	20.57	205	20.98	52	5.32	46
JACKSON	444	40	9.01	101	22.75	119	26.80	87	19.59	74	16.67	23	5.18	45
JEFFERSON	697	121	17.36	145	20.80	158	22.67	107	15.35	121	17.36	45	6.46	44
KANAWHA	2453	274	11.17	402	16.39	511	20.83	411	16.75	620	25.28	235	9.58	47
LEWIS	233	16	6.87	43	18.45	59	25.32	55	23.61	50	21.46	10	4.29	46
LINCOLN	318	45	14.15	61	19.18	76	23.90	61	19.18	61	19.18	14	4.40	44
LOGAN	529	55	10.40	89	16.82	125	23.63	99	18.71	132	24.95	29	5.48	46
MARION	707	80	11.32	115	16.27	162	22.91	137	19.38	170	24.05	43	6.08	46
MARSHALL	419	42	10.02	68	16.23	84	20.05	72	17.18	129	30.79	24	5.73	47
MASON	386	36	9.33	80	20.73	95	24.61	72	18.65	81	20.98	22	5.70	46
MCDOWELL	348	29	8.33	57	16.38	74	21.26	73	20.98	85	24.43	30	8.62	47
MERCER	831	81	9.75	145	17.45	186	22.38	174	20.94	189	22.74	56	6.74	46
MINERAL	393	44	11.20	76	19.34	79	20.10	64	16.28	108	27.48	22	5.60	46
MINGO	413	36	8.72	55	13.32	95	23.00	95	23.00	106	25.67	26	6.30	48
MONONGALIA	875	97	11.09	184	21.03	214	24.46	154	17.60	189	21.60	37	4.23	45
MONROE	177	28	15.82	37	20.90	50	28.25	32	18.08	27	15.25	3	1.69	43
MORGAN	228	43	18.86	66	28.95	49	21.49	22	9.65	36	15.79	12	5.26	41
NICHOLAS	365	39	10.68	45	12.33	101	27.67	60	16.44	98	26.85	22	6.03	47
OHIO	484	54	11.16	117	24.17	97	20.04	68	14.05	123	25.41	25	5.17	45
PENDLETON	102	16	15.69	11	10.78	18	17.65	29	28.43	21	20.59	7	6.86	46
PLEASANTS	132	10	7.58	22	16.67	32	24.24	26	19.70	33	25.00	9	6.82	47
POCAHONTAS	113	15	13.27	21	18.58	32	28.32	17	15.04	24	21.24	4	3.54	44
PRESTON	408	51	12.50	54	13.24	102	25.00	68	16.67	104	25.49	29	7.11	46
PUTNAM	774	69	8.91	167	21.58	204	26.36	137	17.70	148	19.12	49	6.33	45
RALEIGH	1040	104	10.00	216	20.77	238	22.88	206	19.81	223	21.44	53	5.10	45
RANDOLPH	381	35	9.19	54	14.17	95	24.93	86	22.57	100	26.25	11	2.89	47
RITCHIE	143	17	11.89	27	18.88	39	27.27	27	18.88	27	18.88	6	4.20	45
ROANE	207	28	13.53	43	20.77	59	28.50	40	19.32	31	14.98	6	2.90	43
SUMMERS	139	17	12.23	23	16.55	31	22.30	31	22.30	27	19.42	10	7.19	46
TAYLOR	193	19	9.84	29	15.03	43	22.28	44	22.80	42	21.76	16	8.29	47
TUCKER	102	11	10.78	21	20.59	29	28.43	17	16.67	19	18.63	5	4.90	45
TYLER	138	19	13.77	22	15.94	31	22.46	39	28.26	24	17.39	3	2.17	45
UPSHUR	334	38	11.38	68	20.36	79	23.65	64	19.16	73	21.86	12	3.59	45
WAYNE	638	98	15.36	142	22.26	145	22.73	107	16.77	122	19.12	24	3.76	43
WEBSTER	140	13	9.29	17	12.14	43	30.71	33	23.57	29	20.71	5	3.57	47
WETZEL	264	30	11.36	39	14.77	48	18.18	61	23.11	72	27.27	14	5.30	47
WIRT	93	25	26.88	17	18.28	21	22.58	17	18.28	9	9.68	4	4.30	41
WOOD	1131	100	8.84	195	17.24	270	23.87	215	19.01	294	25.99	57	5.04	47
WYOMING	379	36	9.50	42	11.08	114	30.08	89	23.48	80	21.11	18	4.75	47
Total Personnel	24,367	2,820	11.57	4,561	18.72	5,648	23.18	4,469	18.34	5,456	22.39	1,413	5.80	45

TABLE A2.4  
AGE DISTRIBUTION OF EMPLOYED  
WEST VIRGINIA ADMINISTRATORS  
2008-2009 SCHOOL YEAR  
BY COUNTY

COUNTY	NUMBER OF ADMINISTRATORS	Number of Administrators within Span and Percentage of Total												Average Age (Years)
		Ages 20-29		Ages 30-39		Ages 40-49		Ages 50-54		Ages 55-60		Over 60		
		N	%	N	%	N	%	N	%	N	%	N	%	
BARBOUR	19	1	5.3%	2	10.5%	7	36.8%	7	36.8%	2	10.5%	0	0.0%	46
BERKELEY	106	3	2.8%	25	23.6%	25	23.6%	14	13.2%	30	28.3%	9	8.5%	47
BOONE	39	2	5.1%	2	5.1%	12	30.8%	12	30.8%	10	25.6%	1	2.6%	49
BRAXTON	18	0	0.0%	1	5.6%	3	16.7%	5	27.8%	7	38.9%	2	11.1%	53
BROOKE	21	0	0.0%	2	9.5%	4	19.0%	6	28.6%	8	38.1%	1	4.8%	51
CABELL	94	0	0.0%	10	10.6%	33	35.1%	12	12.8%	27	28.7%	12	12.8%	50
CALHOUN	11	0	0.0%	4	36.4%	4	36.4%	3	27.3%	0	0.0%	0	0.0%	42
CLAY	11	0	0.0%	3	27.3%	2	18.2%	3	27.3%	2	18.2%	1	9.1%	49
DODDRIDGE	9	0	0.0%	0	0.0%	0	0.0%	5	55.6%	4	44.4%	0	0.0%	54
FAYETTE	55	0	0.0%	10	18.2%	10	18.2%	15	27.3%	16	29.1%	4	7.3%	50
GILMER	10	1	10.0%	0	0.0%	4	40.0%	3	30.0%	2	20.0%	0	0.0%	47
GRANT	14	0	0.0%	0	0.0%	5	35.7%	5	35.7%	4	28.6%	0	0.0%	50
GREENBRIER	37	0	0.0%	4	10.8%	10	27.0%	10	27.0%	9	24.3%	4	10.8%	50
HAMPSHIRE	20	0	0.0%	4	20.0%	5	25.0%	4	20.0%	6	30.0%	1	5.0%	48
HANCOCK	27	0	0.0%	3	11.1%	5	18.5%	5	18.5%	10	37.0%	4	14.8%	52
HARDY	13	0	0.0%	1	7.7%	2	15.4%	3	23.1%	6	46.2%	1	7.7%	53
HARRISON	88	3	3.4%	17	19.3%	17	19.3%	19	21.6%	22	25.0%	10	11.4%	49
JACKSON	30	0	0.0%	6	20.0%	8	26.7%	6	20.0%	9	30.0%	1	3.3%	48
JEFFERSON	53	3	5.7%	10	18.9%	10	18.9%	11	20.8%	15	28.3%	4	7.5%	48
KANAWHA	196	6	3.1%	29	14.8%	38	19.4%	38	19.4%	64	32.7%	21	10.7%	50
LEWIS	18	0	0.0%	3	16.7%	5	27.8%	6	33.3%	3	16.7%	1	5.6%	49
LINCOLN	23	0	0.0%	0	0.0%	10	43.5%	2	8.7%	9	39.1%	2	8.7%	52
LOGAN	45	0	0.0%	4	8.9%	10	22.2%	9	20.0%	16	35.6%	6	13.3%	53
MARION	36	0	0.0%	3	8.3%	10	27.8%	5	13.9%	14	38.9%	4	11.1%	52
MARSHALL	30	2	6.7%	5	16.7%	7	23.3%	5	16.7%	8	26.7%	3	10.0%	48
MASON	29	0	0.0%	4	13.8%	9	31.0%	6	20.7%	7	24.1%	3	10.3%	49
MCDOWELL	33	1	3.0%	0	0.0%	8	24.2%	8	24.2%	12	36.4%	4	12.1%	52
MERCER	51	0	0.0%	2	3.9%	12	23.5%	12	23.5%	21	41.2%	4	7.8%	52
MINERAL	32	1	3.1%	4	12.5%	6	18.8%	5	15.6%	10	31.3%	6	18.8%	51
MINGO	42	1	2.4%	3	7.1%	11	26.2%	10	23.8%	14	33.3%	3	7.1%	50
MONONGALIA	65	3	4.6%	11	16.9%	8	12.3%	14	21.5%	24	36.9%	5	7.7%	50
MONROE	13	1	7.7%	2	15.4%	5	38.5%	1	7.7%	3	23.1%	1	7.7%	47
MORGAN	21	0	0.0%	6	28.6%	9	42.9%	2	9.5%	3	14.3%	1	4.8%	44
NICHOLAS	37	0	0.0%	2	5.4%	8	21.6%	8	21.6%	16	43.2%	3	8.1%	52
OHIO	36	1	2.8%	8	22.2%	10	27.8%	2	5.6%	12	33.3%	3	8.3%	48
PENDLETON	8	0	0.0%	0	0.0%	1	12.5%	5	62.5%	1	12.5%	1	12.5%	53
PLEASANTS	12	0	0.0%	0	0.0%	4	33.3%	3	25.0%	3	25.0%	2	16.7%	51
POCAHONTAS	9	0	0.0%	0	0.0%	3	33.3%	1	11.1%	4	44.4%	1	11.1%	52
PRESTON	26	0	0.0%	2	7.7%	6	23.1%	3	11.5%	13	50.0%	2	7.7%	52
PUTNAM	63	0	0.0%	2	3.2%	20	31.7%	20	31.7%	15	23.8%	6	9.5%	51
RALEIGH	97	2	2.1%	4	4.1%	30	30.9%	19	19.6%	31	32.0%	11	11.3%	52
RANDOLPH	27	0	0.0%	0	0.0%	7	25.9%	5	18.5%	15	55.6%	0	0.0%	53
RITCHIE	13	0	0.0%	1	7.7%	9	69.2%	1	7.7%	1	7.7%	1	7.7%	46
ROANE	16	0	0.0%	3	18.8%	4	25.0%	7	43.8%	2	12.5%	0	0.0%	48
SUMMERS	15	0	0.0%	1	6.7%	4	26.7%	3	20.0%	6	40.0%	1	6.7%	52
TAYLOR	15	0	0.0%	2	13.3%	2	13.3%	4	26.7%	5	33.3%	2	13.3%	52
TUCKER	9	0	0.0%	1	11.1%	3	33.3%	2	22.2%	3	33.3%	0	0.0%	49
TYLER	11	1	9.1%	3	27.3%	2	18.2%	3	27.3%	1	9.1%	1	9.1%	45
UPSHUR	25	0	0.0%	4	16.0%	9	36.0%	5	20.0%	3	12.0%	4	16.0%	48
WAYNE	59	0	0.0%	10	16.9%	18	30.5%	13	22.0%	15	25.4%	3	5.1%	48
WEBSTER	22	1	4.5%	3	13.6%	4	18.2%	6	27.3%	4	18.2%	4	18.2%	50
WETZEL	19	0	0.0%	2	10.5%	3	15.8%	5	26.3%	6	31.6%	3	15.8%	52
WIRT	6	0	0.0%	1	16.7%	2	33.3%	3	50.0%	0	0.0%	0	0.0%	47
WOOD	91	2	2.2%	8	8.8%	27	29.7%	21	23.1%	21	23.1%	12	13.2%	50
WYOMING	30	0	0.0%	2	6.7%	5	16.7%	7	23.3%	12	40.0%	4	13.3%	52
Total State Personnel	1955	35	1.8%	239	12.2%	495	25.3%	417	21.3%	586	30.0%	183	9.4%	50

TABLE A2.5  
EXPERIENCE OF EMPLOYED WEST VIRGINIA EDUCATORS  
2008-2009 SCHOOL YEAR  
BY COUNTY

COUNTY	NUMBER OF EDUCATORS	Number of Administrators within Span and Percentage of Total																Average Years
		Years 0-3		Years 4-5		Years 6-10		Years 11-15		Years 16-20		Years 21-25		Years 26-30		Years 31 & Up		
		N	%	N	%	N	%	N	%	N	%	N	%	N	%	N	%	
BARBOUR	216	30	13.9%	12	5.6%	25	11.6%	35	16.2%	20	9.3%	32	14.8%	32	14.8%	30	13.9%	17.28
BERKELEY	1,452	322	22.2%	154	10.6%	251	17.3%	163	11.2%	141	9.7%	124	8.5%	126	8.7%	171	11.8%	13.78
BODNE	437	82	18.8%	22	5.0%	50	11.4%	41	9.4%	79	18.1%	50	11.4%	72	16.5%	41	9.4%	16.22
BRAXTON	217	34	15.7%	11	5.1%	22	10.1%	27	12.4%	27	12.4%	22	10.1%	38	17.5%	36	16.6%	18.03
BROOKE	303	39	12.9%	17	5.6%	40	13.2%	25	8.3%	23	7.6%	32	10.6%	62	20.5%	65	21.5%	19.35
CABELL	1,059	170	16.1%	71	6.7%	151	14.3%	130	12.3%	113	10.7%	139	13.1%	142	13.4%	143	13.5%	16.64
CALHOUN	107	30	28.0%	5	4.7%	13	12.1%	6	5.6%	15	14.0%	14	13.1%	15	14.0%	9	8.4%	14.67
CLAY	170	30	17.6%	9	5.3%	25	14.7%	11	6.5%	24	14.1%	29	17.1%	18	10.6%	24	14.1%	16.66
DODDRIDGE	117	17	14.5%	15	12.8%	13	11.1%	8	6.8%	18	15.4%	13	11.1%	13	11.1%	20	17.1%	16.58
FAYETTE	599	79	13.2%	34	5.7%	47	7.8%	63	10.5%	83	13.9%	95	15.9%	93	15.5%	105	17.5%	18.82
GILMER	87	15	17.2%	5	5.7%	8	9.2%	9	10.3%	13	14.9%	5	5.7%	15	17.2%	17	19.5%	18.01
GRANT	180	32	17.8%	13	7.2%	32	17.8%	27	15.0%	13	7.2%	20	11.1%	21	11.7%	22	12.2%	15.31
GREENBRIER	464	89	19.2%	23	5.0%	62	13.4%	41	8.8%	48	10.3%	52	11.2%	54	11.6%	95	20.5%	17.44
HAMPSHIRE	293	50	17.1%	25	8.5%	51	17.4%	40	13.7%	30	10.2%	34	11.6%	20	6.8%	43	14.7%	15.19
HANCOCK	362	59	16.3%	20	5.5%	45	12.4%	40	11.0%	31	8.6%	36	9.9%	39	10.8%	92	25.4%	18.36
HARDY	177	20	11.3%	9	5.1%	33	18.6%	24	13.6%	18	10.2%	20	11.3%	21	11.9%	32	18.1%	17.38
HARRISON	977	140	14.3%	72	7.4%	128	13.1%	102	10.4%	101	10.3%	115	11.8%	138	14.1%	181	18.5%	17.96
JACKSON	444	54	12.2%	27	6.1%	64	14.4%	62	14.0%	52	11.7%	60	13.5%	65	14.6%	60	13.5%	17.43
JEFFERSON	697	168	24.1%	71	10.2%	113	16.2%	78	11.2%	52	7.5%	74	10.6%	67	9.6%	74	10.6%	13.75
KANAWHA	2,453	343	14.0%	161	6.6%	317	12.9%	271	11.0%	259	10.6%	351	14.3%	331	13.5%	420	17.1%	17.85
LEWIS	233	20	8.6%	21	9.0%	29	12.4%	26	11.2%	24	10.3%	33	14.2%	36	15.5%	44	18.9%	18.76
LINCOLN	318	52	16.4%	19	6.0%	40	12.6%	28	8.8%	45	14.2%	42	13.2%	45	14.2%	47	14.8%	17.16
LOGAN	529	101	19.1%	38	7.2%	55	10.4%	38	7.2%	70	13.2%	75	14.2%	63	11.9%	89	16.8%	17.1
MARION	707	95	13.4%	55	7.8%	89	12.6%	72	10.2%	53	7.5%	94	13.3%	110	15.6%	139	19.7%	18.44
MARSHALL	419	51	12.2%	32	7.6%	48	11.5%	41	9.8%	29	6.9%	41	9.8%	61	14.6%	116	27.7%	19.68
MASON	386	73	18.9%	23	6.0%	51	13.2%	33	8.5%	52	13.5%	51	13.2%	45	11.7%	58	15.0%	16.74
MCDOWELL	348	51	14.7%	22	6.3%	38	10.9%	12	3.4%	38	10.9%	50	14.4%	65	18.7%	72	20.7%	12.05
MERCER	831	120	14.4%	46	5.5%	112	13.5%	96	11.6%	57	6.9%	147	17.7%	112	13.5%	141	17.0%	19.43
MINERAL	393	51	13.0%	22	5.6%	61	15.5%	48	12.2%	37	9.4%	36	9.2%	50	12.7%	88	22.4%	17.84
MINGO	413	72	17.4%	25	6.1%	38	9.2%	30	7.3%	61	14.8%	66	16.0%	60	14.5%	61	14.8%	18.33
MONONGALIA	875	133	15.2%	51	5.8%	145	16.6%	123	14.1%	93	10.6%	105	12.0%	108	12.3%	117	13.4%	17.56
MONROE	177	38	21.5%	15	8.5%	26	14.7%	19	10.7%	15	8.5%	27	15.3%	18	10.2%	19	10.7%	16.35
MORGAN	228	65	28.5%	15	6.6%	53	23.2%	21	9.2%	23	10.1%	14	6.1%	18	7.9%	19	8.3%	14.64
NICHOLAS	365	61	16.7%	27	7.4%	25	6.8%	41	11.2%	49	13.4%	47	12.9%	49	13.4%	66	18.1%	17.87
OHIO	484	64	13.2%	46	9.5%	75	15.5%	52	10.7%	42	8.7%	41	8.5%	66	13.6%	98	20.2%	17.7
PENDLETON	102	13	12.7%	4	3.9%	9	8.8%	10	9.8%	10	9.8%	13	12.7%	23	22.5%	20	19.6%	19.96
PLEASANTS	132	11	8.3%	8	6.1%	16	12.1%	16	12.1%	8	6.1%	14	10.6%	22	16.7%	37	28.0%	20.68
POCAHONTAS	113	16	14.2%	9	8.0%	14	12.4%	17	15.0%	14	12.4%	15	13.3%	14	12.4%	14	12.4%	16.29
PRESTON	408	64	15.7%	15	3.7%	52	12.7%	47	11.5%	43	10.5%	66	16.2%	62	15.2%	59	14.5%	17.75
PUTNAM	774	87	11.2%	61	7.9%	109	14.1%	110	14.2%	90	11.6%	96	12.4%	115	14.9%	106	13.7%	17.31
RALEIGH	1,040	169	16.3%	67	6.4%	134	12.9%	108	10.4%	110	10.6%	150	14.4%	158	15.2%	144	13.8%	17.05
RANDOLPH	381	47	12.3%	16	4.2%	43	11.3%	42	11.0%	30	7.9%	56	14.7%	85	22.3%	62	16.3%	19.25
RITCHIE	143	20	14.0%	5	3.5%	19	13.3%	16	11.2%	19	13.3%	24	16.8%	21	14.7%	19	13.3%	17.82
ROANE	207	32	15.5%	12	5.8%	24	11.6%	19	9.2%	31	15.0%	32	15.5%	28	13.5%	29	14.0%	17.49
SUMMERS	139	25	18.0%	8	5.8%	15	10.8%	11	7.9%	12	8.6%	19	13.7%	32	23.0%	17	12.2%	17.73
TAYLOR	193	20	10.4%	9	4.7%	19	9.8%	20	10.4%	24	12.4%	28	14.5%	41	21.2%	32	16.6%	19.65
TUCKER	102	8	7.8%	13	12.7%	16	15.7%	14	13.7%	12	11.8%	8	7.8%	12	11.8%	19	18.6%	17.17
TYLER	138	25	18.1%	9	6.5%	16	11.6%	7	5.1%	10	7.2%	19	13.8%	28	20.3%	24	17.4%	18.22
UPSHUR	334	45	13.5%	14	4.2%	51	15.3%	36	10.8%	40	12.0%	50	15.0%	49	14.7%	49	14.7%	17.69
WAYNE	638	113	17.7%	53	8.3%	92	14.4%	88	13.8%	70	11.0%	62	9.7%	73	11.4%	87	13.6%	15.61
WEBSTER	140	19	13.6%	9	6.4%	20	14.3%	12	8.6%	18	12.9%	24	17.1%	25	17.9%	13	9.3%	17.08
WETZEL	264	34	12.9%	12	4.5%	26	9.8%	28	10.6%	19	7.2%	27	10.2%	57	21.6%	61	23.1%	20.41
WIRT	93	24	25.8%	11	11.8%	10	10.8%	10	10.8%	12	12.9%	9	9.7%	10	10.8%	7	7.5%	13.13
WOOD	1,131	143	12.6%	81	7.2%	143	12.6%	120	10.6%	100	8.8%	163	14.4%	152	13.4%	229	20.2%	18.43
WYOMING	379	70	18.5%	15	4.0%	31	8.2%	33	8.7%	39	10.3%	75	19.8%	57	15.0%	59	15.6%	18.22
Personnel	24,368	3,835	15.7%	1,664	6.8%	3,234	13.3%	2,647	10.9%	2,559	10.5%	3,136	12.9%	3,352	13.8%	3,941	16.2%	17.33

TABLE A2.6  
EXPERIENCE OF EMPLOYED  
WEST VIRGINIA ADMINISTRATORS  
2008-2009 SCHOOL YEAR  
BY COUNTY

COUNTY	NUMBER OF ADMINISTRATORS	Number of Administrators within Span and Percentage of Total																Average Years
		Years 0-3		Years 4-5		Years 6-10		Years 11-15		Years 16-20		Years 21-25		Years 26-30		Years 31 & Up		
		N	%	N	%	N	%	N	%	N	%	N	%	N	%	N	%	
BARBOUR	19	2	10.5%	2	10.5%	0	0.0%	2	10.5%	2	10.5%	7	36.8%	3	15.8%	1	5.3%	18.74
BERKELEY	106	3	2.8%	4	3.8%	16	15.1%	15	14.2%	12	11.3%	11	10.4%	12	11.3%	33	31.1%	21.72
BOONE	39	0	0.0%	2	5.1%	3	7.7%	2	5.1%	6	15.4%	7	17.9%	11	28.2%	8	20.5%	23.21
BRAXTON	18	0	0.0%	0	0.0%	0	0.0%	1	5.6%	4	22.2%	2	11.1%	2	11.1%	9	50.0%	27.83
BROOKE	21	0	0.0%	0	0.0%	0	0.0%	4	19.0%	3	14.3%	3	14.3%	4	19.0%	7	33.3%	24.48
CABELL	94	3	3.2%	1	1.1%	6	6.4%	13	13.8%	14	14.9%	16	17.0%	12	12.8%	29	30.9%	23.61
CALHOUN	11	2	18.2%	0	0.0%	3	27.3%		0.0%	1	9.1%	3	27.3%	0	0.0%	2	18.2%	16.27
CLAY	11	0	0.0%	0	0.0%	1	9.1%	1	9.1%	2	18.2%	0	0.0%	4	36.4%	3	27.3%	25
DODDRIDGE	9	0	0.0%	0	0.0%	0	0.0%	0	0.0%	2	22.2%	3	33.3%	2	22.2%	2	22.2%	25.56
FAYETTE	55	1	1.8%	2	3.6%	5	9.1%	7	12.7%	4	7.3%	9	16.4%	9	16.4%	18	32.7%	23.35
GILMER	10	1	10.0%	0	0.0%	1	10.0%	1	10.0%	4	40.0%	1	10.0%	0	0.0%	2	20.0%	17.6
GRANT	14	1	7.1%	0	0.0%	2	14.3%	2	14.3%		0.0%	3	21.4%	4	28.6%	2	14.3%	20.93
GREENBRIER	37	0	0.0%	0	0.0%	3	8.1%	4	10.8%	4	10.8%	8	21.6%	7	18.9%	11	29.7%	24.73
HAMPSHIRE	20	0	0.0%	0	0.0%	2	10.0%	4	20.0%	3	15.0%	2	10.0%	2	10.0%	7	35.0%	22.9
HANCOCK	27	0	0.0%	0	0.0%	1	3.7%	4	14.8%	3	11.1%	5	18.5%	3	11.1%	11	40.7%	25.96
HARDY	13	0	0.0%	0	0.0%	0	0.0%	0	0.0%	1	7.7%	5	38.5%	2	15.4%	5	38.5%	26.69
HARRISON	88	5	5.7%	5	5.7%	4	4.5%	13	14.8%	9	10.2%	6	6.8%	14	15.9%	32	36.4%	23.44
JACKSON	30	0	0.0%	0	0.0%	2	6.7%	4	13.3%	5	16.7%	5	16.7%	4	13.3%	10	33.3%	24.1
JEFFERSON	53	0	0.0%	1	1.9%	9	17.0%	8	15.1%	5	9.4%	7	13.2%	12	22.6%	11	20.8%	21.51
KANAWHA	196	6	3.1%	14	7.1%	22	11.2%	19	9.7%	17	8.7%	26	13.3%	33	16.8%	59	30.1%	22.37
LEWIS	18	0	0.0%	0	0.0%	2	11.1%	4	22.2%	0	0.0%	2	11.1%	5	27.8%	5	27.8%	23.94
LINCOLN	23	0	0.0%	0	0.0%	0	0.0%	1	4.3%	4	17.4%	5	21.7%	3	13.0%	10	43.5%	27.52
LOGAN	45	1	2.2%	1	2.2%	5	11.1%	3	6.7%	4	8.9%	2	4.4%	7	15.6%	22	48.9%	26.2
MARION	36	0	0.0%	0	0.0%	2	5.6%	2	5.6%	4	11.1%	7	19.4%	3	8.3%	18	50.0%	27.61
MARSHALL	30	1	3.3%	2	6.7%	3	10.0%	3	10.0%	1	3.3%	4	13.3%	5	16.7%	11	36.7%	24
MASON	29	1	3.4%	1	3.4%	1	3.4%	4	13.8%	5	17.2%	5	17.2%	4	13.8%	8	27.6%	23.38
MCDOWELL	33	0	0.0%	0	0.0%	1	3.0%	1	3.0%	6	18.2%	7	21.2%	8	24.2%	10	30.3%	25.79
MERCER	51	0	0.0%	1	2.0%	2	3.9%	0	0.0%	3	5.9%	13	25.5%	13	25.5%	19	37.3%	27.29
MINERAL	32	1	3.1%	0	0.0%	1	3.1%	8	25.0%	3	9.4%	4	12.5%	2	6.3%	13	40.6%	24.56
MINGO	42	0	0.0%	3	7.1%	2	4.8%	3	7.1%	7	16.7%	9	21.4%	7	16.7%	11	26.2%	23.43
MONONGALIA	65	7	10.8%	1	1.5%	6	9.2%	4	6.2%	5	7.7%	10	15.4%	8	12.3%	24	36.9%	23.23
MONROE	13	0	0.0%	1	7.7%	0	0.0%	3	23.1%	0	0.0%	5	38.5%	1	7.7%	3	23.1%	22.69
MORGAN	21	0	0.0%	0	0.0%	6	28.6%	2	9.5%	4	19.0%	3	14.3%	3	14.3%	3	14.3%	19.1
NICHOLAS	37	0	0.0%	0	0.0%	3	8.1%	0	0.0%	3	8.1%	7	18.9%	9	24.3%	15	40.5%	27.35
OHIO	36	0	0.0%	1	2.8%	5	13.9%	6	16.7%	2	5.6%	5	13.9%	2	5.6%	15	41.7%	24.03
PENDELTON	8	0	0.0%	0	0.0%	1	12.5%	0	0.0%	1	12.5%	2	25.0%	3	37.5%	1	12.5%	24.13
PLEASANTS	12	0	0.0%	0	0.0%	0	0.0%	0	0.0%	4	33.3%	0	0.0%	3	25.0%	5	41.7%	28.42
POCAHONTAS	9	1	11.1%	0	0.0%	0	0.0%	0	0.0%	2	22.2%	2	22.2%	1	11.1%	3	33.3%	24.78
PRESTON	26	0	0.0%	0	0.0%	2	7.7%	2	7.7%	3	11.5%	2	7.7%	8	30.8%	9	34.6%	26.5
PUTNAM	63	3	4.8%	1	1.6%	1	1.6%	4	6.3%	7	11.1%	13	20.6%	11	17.5%	23	36.5%	25.25
RALEIGH	97	0	0.0%	2	2.1%	5	5.2%	6	6.2%	9	9.3%	24	24.7%	22	22.7%	29	29.9%	25.24
RANDOLPH	27	0	0.0%	0	0.0%	1	3.7%	1	3.7%	2	7.4%	4	14.8%	8	29.6%	11	40.7%	28
RITCHIE	13	0	0.0%	0	0.0%	2	15.4%	4	30.8%	3	23.1%	3	23.1%	0	0.0%	1	7.7%	16.85
ROANE	16	0	0.0%	0	0.0%	1	6.3%	0	0.0%	4	25.0%	3	18.8%	1	6.3%	7	43.8%	24.81
SUMMERS	15	0	0.0%	0	0.0%	1	6.7%	0	0.0%	1	6.7%	1	6.7%	7	46.7%	5	33.3%	28.07
TAYLOR	15	0	0.0%	0	0.0%	1	6.7%	2	13.3%	0	0.0%	5	33.3%	2	13.3%	5	33.3%	25.8
TUCKER	9	0	0.0%	0	0.0%	2	22.2%	0	0.0%	0	0.0%	2	22.2%	1	11.1%	4	44.4%	24.33
TYLER	11	0	0.0%	0	0.0%	4	36.4%	1	9.1%	1	9.1%	0	0.0%	3	27.3%	2	18.2%	20
UPSHUR	25	1	4.0%	0	0.0%	4	16.0%	1	4.0%	4	16.0%	5	20.0%	5	20.0%	5	20.0%	22.4
WAYNE	59	3	5.1%	2	3.4%	7	11.9%	9	15.3%	10	16.9%	8	13.6%	8	13.6%	12	20.3%	20.03
WEBSTER	22	1	4.5%	1	4.5%	2	9.1%	1	4.5%	4	18.2%	4	18.2%	3	13.6%	6	27.3%	22.18
WETZEL	19	0	0.0%	0	0.0%	1	5.3%	2	10.5%	0	0.0%	3	15.8%	8	42.1%	5	26.3%	27.11
WIRT	6	0	0.0%	0	0.0%	0	0.0%	3	50.0%	0	0.0%	0	0.0%	3	50.0%	0	0.0%	20.33
WOOD	91	1	1.1%	0	0.0%	8	8.8%	6	6.6%	13	14.3%	18	19.8%	9	9.9%	36	39.6%	25.4
WYOMING	30	0	0.0%	1	3.3%	1	3.3%	1	3.3%	1	3.3%	7	23.3%	4	13.3%	15	50.0%	28.1
Total State Personnel	1,955	45	2.3%	49	2.5%	163	8.3%	191	9.8%	221	11.3%	323	16.5%	330	16.9%	633	32.4%	23.96

TABLE A2.7  
SALARY CLASSIFICATIONS OF  
WEST VIRGINIA EDUCATORS  
2008-2009 SCHOOL YEAR  
BY COUNTY

COUNTY	Number of County Educators	Number and Percentage of Administrators Holding a:															
		Bachelors		Bachelors +15		Masters		Masters + 15		Masters + 30		Masters + 45		Doctorate		No Degree	
		N	%	N	%	N	%	N	%	N	%	N	%	N	%	N	%
BARBOUR	216	26	12.0%	56	25.9%	22	10.2%	26	12.0%	28	13.0%	55	25.5%	3	1.4%	0	0.0%
BERKELEY	1452	368	25.3%	323	22.2%	145	10.0%	116	8.0%	166	11.4%	326	22.5%	6	0.4%	2	0.1%
BOONE	436	81	18.6%	140	32.1%	21	4.8%	35	8.0%	51	11.7%	108	24.8%	0	0.0%	0	0.0%
BRAXTON	217	36	16.6%	60	27.6%	12	5.5%	17	7.8%	32	14.7%	58	26.7%	2	0.9%	0	0.0%
BROOKE	303	41	13.5%	72	23.8%	14	4.6%	23	7.6%	50	16.5%	102	33.7%	1	0.3%	0	0.0%
CABELL	1059	162	15.3%	233	22.0%	77	7.3%	107	10.1%	121	11.4%	353	33.3%	3	0.3%	3	0.3%
CALHOUN	107	28	26.2%	26	24.3%	4	3.7%	5	4.7%	11	10.3%	33	30.8%	0	0.0%	0	0.0%
CLAY	170	25	14.7%	27	15.9%	4	2.4%	13	7.6%	35	20.6%	65	38.2%	1	0.6%	0	0.0%
DODDRIDGE	117	14	12.0%	28	23.9%	12	10.3%	10	8.5%	21	17.9%	29	24.8%	3	2.6%	0	0.0%
FAYETTE	599	92	15.4%	156	26.0%	44	7.3%	48	8.0%	72	12.0%	182	30.4%	4	0.7%	1	0.2%
GILMER	87	22	25.3%	24	27.6%	11	12.6%	7	8.0%	8	9.2%	15	17.2%	0	0.0%	0	0.0%
GRANT	180	33	18.3%	43	23.9%	21	11.7%	16	8.9%	14	7.8%	50	27.8%	3	1.7%	0	0.0%
GREENBRIER	464	87	18.8%	110	23.7%	41	8.8%	29	6.3%	55	11.9%	137	29.5%	3	0.6%	2	0.4%
HAMPSHIRE	293	46	15.7%	78	26.6%	32	10.9%	40	13.7%	36	12.3%	58	19.8%	3	1.0%	0	0.0%
HANCOCK	362	44	12.2%	91	25.1%	29	8.0%	20	5.5%	35	9.7%	142	39.2%	1	0.3%	0	0.0%
HARDY	177	15	8.5%	37	20.9%	15	8.5%	24	13.6%	29	16.4%	56	31.6%	1	0.6%	0	0.0%
HARRISON	977	132	13.5%	170	17.4%	99	10.1%	102	10.4%	151	15.5%	314	32.1%	6	0.6%	3	0.3%
JACKSON	444	49	11.0%	100	22.5%	30	6.8%	63	14.2%	68	15.3%	132	29.7%	2	0.5%	0	0.0%
JEFFERSON	697	195	28.0%	169	24.2%	70	10.0%	69	9.9%	76	10.9%	111	15.9%	5	0.7%	2	0.3%
KANAWHA	2452	366	14.9%	624	25.4%	137	5.6%	213	8.7%	323	13.2%	761	31.0%	18	0.7%	10	0.4%
LEWIS	233	30	12.9%	52	22.3%	18	7.7%	20	8.6%	35	15.0%	74	31.8%	3	1.3%	1	0.4%
LINCOLN	318	51	16.0%	89	28.0%	15	4.7%	29	9.1%	28	8.8%	106	33.3%	0	0.0%	0	0.0%
LOGAN	529	108	20.4%	135	25.5%	36	6.8%	23	4.3%	39	7.4%	187	35.3%	1	0.2%	0	0.0%
MARION	707	94	13.3%	139	19.7%	73	10.3%	77	10.9%	99	14.0%	219	31.0%	4	0.6%	2	0.3%
MARSHALL	419	57	13.6%	65	15.5%	33	7.9%	43	10.3%	50	11.9%	168	40.1%	3	0.7%	0	0.0%
MASON	386	71	18.4%	92	23.8%	26	6.7%	40	10.4%	32	8.3%	122	31.6%	3	0.8%	0	0.0%
MCDOWELL	348	70	20.1%	76	21.8%	19	5.5%	17	4.9%	53	15.2%	112	32.2%	1	0.3%	0	0.0%
MERCER	831	130	15.6%	206	24.8%	46	5.5%	77	9.3%	114	13.7%	245	29.5%	6	0.7%	7	0.8%
MINERAL	393	43	10.9%	95	24.2%	25	6.4%	40	10.2%	61	15.5%	128	32.6%	1	0.3%	0	0.0%
MINGO	413	85	20.6%	91	22.0%	20	4.8%	29	7.0%	40	9.7%	147	35.6%	1	0.2%	0	0.0%
MONONGALIA	875	67	7.7%	152	17.4%	96	11.0%	106	12.1%	148	16.9%	292	33.4%	13	1.5%	1	0.1%
MONROE	177	42	23.7%	50	28.2%	12	6.8%	13	7.3%	27	15.3%	32	18.1%	1	0.6%		0.0%
MORGAN	228	62	27.2%	48	21.1%	40	17.5%	17	7.5%	30	13.2%	27	11.8%	3	1.3%	1	0.4%
NICHOLAS	365	59	16.2%	82	22.5%	22	6.0%	30	8.2%	46	12.6%	124	34.0%	1	0.3%	1	0.3%
OHIO	484	71	14.7%	98	20.2%	53	11.0%	49	10.1%	65	13.4%	142	29.3%	5	1.0%	1	0.2%
PENDLETON	102	16	15.7%	28	27.5%	9	8.8%	10	9.8%	8	7.8%	31	30.4%	0	0.0%	0	0.0%
PLEASANTS	132	12	9.1%	31	23.5%	7	5.3%	10	7.6%	16	12.1%	55	41.7%	1	0.8%	0	0.0%
POCAHONTAS	113	20	17.7%	31	27.4%	11	9.7%	4	3.5%	12	10.6%	32	28.3%	3	2.7%	0	0.0%
PRESTON	408	51	12.5%	98	24.0%	52	12.7%	37	9.1%	55	13.5%	106	26.0%	4	1.0%	5	1.2%
PUTNAM	774	79	10.2%	198	25.6%	52	6.7%	81	10.5%	109	14.1%	251	32.4%	3	0.4%	1	0.1%
RALEIGH	1040	151	14.5%	281	27.0%	66	6.3%	80	7.7%	114	11.0%	342	32.9%	6	0.6%	0	0.0%
RANDOLPH	381	45	11.8%	62	16.3%	21	5.5%	45	11.8%	66	17.3%	139	36.5%	3	0.8%	0	0.0%
RITCHIE	143	21	14.7%	34	23.8%	10	7.0%	11	7.7%	11	7.7%	55	38.5%	1	0.7%	0	0.0%
ROANE	207	36	17.4%	65	31.4%	8	3.9%	17	8.2%	33	15.9%	47	22.7%	1	0.5%	0	0.0%
SUMMERS	139	18	12.9%	38	27.3%	10	7.2%	13	9.4%	13	9.4%	45	32.4%	2	1.4%	0	0.0%
TAYLOR	193	18	9.3%	48	24.9%	11	5.7%	17	8.8%	24	12.4%	75	38.9%	0	0.0%	0	0.0%
TUCKER	102	16	15.7%	18	17.6%	10	9.8%	13	12.7%	14	13.7%	31	30.4%	0	0.0%	0	0.0%
TYLER	138	17	12.3%	37	26.8%	6	4.3%	15	10.9%	20	14.5%	43	31.2%	0	0.0%	0	0.0%
UPSHUR	334	39	11.7%	72	21.6%	25	7.5%	39	11.7%	56	16.8%	100	29.9%	3	0.9%	0	0.0%
WAYNE	638	109	17.1%	170	26.6%	43	6.7%	67	10.5%	85	13.3%	155	24.3%	4	0.6%	5	0.8%
WEBSTER	140	20	14.3%	45	32.1%	4	2.9%	13	9.3%	15	10.7%	42	30.0%		0.0%	1	0.7%
WETZEL	263	33	12.5%	67	25.5%	17	6.5%	18	6.1%	35	13.3%	95	36.1%	0	0.0%	0	0.0%
WIRT	93	27	29.0%	24	25.8%	10	10.8%	8	8.6%	9	9.7%	15	16.1%	0	0.0%	0	0.0%
WOOD	1131	166	14.7%	280	24.8%	108	9.5%	117	10.3%	135	11.9%	316	27.9%	8	0.7%	1	0.1%
WYOMING	379	69	18.2%	85	22.4%	10	2.6%	20	5.3%	54	14.2%	141	37.2%	0	0.0%	0	0.0%
Total State	24,365	3,865	15.9%	5,749	23.6%	1,864	7.7%	2,226	9.1%	3,133	12.9%	7,328	30.1%	150	0.6%	50	0.2%

TABLE A2.8  
SALARY CLASSIFICATIONS OF  
WEST VIRGINIA ADMINISTRATORS  
2008-2009 SCHOOL YEAR  
BY COUNTY

COUNTY	Number of County Administrators	Number and Percentage of Administrators Holding a:															
		Bachelors		Bachelors +15		Masters		Masters + 15		Masters + 30		Masters + 45		Doctorate		No Degree	
		N	%	N	%	N	%	N	%	N	%	N	%	N	%	N	%
BARBOUR	19	1	5.3%	1	5.3%	0	0.0%	1	5.3%	3	15.8%	12	63.2%	1	5.3%	0	0.0%
BERKELEY	105	12	11.4%	3	2.9%	8	7.6%	7	6.7%	25	23.8%	47	44.8%	2	1.9%	1	1.0%
BOONE	39	1	2.6%	1	2.6%	1	2.6%	3	7.7%	7	17.9%	26	66.7%	0	0.0%	0	0.0%
BRAXTON	18	1	5.6%	0	0.0%	1	5.6%	0	0.0%	4	22.2%	12	66.7%	0	0.0%	0	0.0%
BROOKE	21	1	4.8%	0	0.0%	0	0.0%	0	0.0%	4	19.0%	15	71.4%	1	4.8%	0	0.0%
CABELL	93	4	4.3%	1	1.1%	0	0.0%	8	8.6%	7	7.5%	70	75.3%	3	3.2%	0	0.0%
CALHOUN	11	0	0.0%	2	18.2%	0	0.0%	1	9.1%	1	9.1%	7	63.6%	0	0.0%	0	0.0%
CLAY	11	0	0.0%	0	0.0%	0	0.0%	0	0.0%	1	9.1%	10	91%	0	0.0%	0	0.0%
DODDRIDGE	9	0	0.0%	0	0.0%	0	0.0%	0	0.0%	2	22.2%	5	55.6%	2	22.2%	0	0.0%
FAYETTE	55	0	0.0%	0	0.0%	2	3.6%	2	3.6%	9	16.4%	40	72.7%	2	3.6%	0	0.0%
GILMER	10	0	0.0%	0	0.0%	1	10.0%	2	20.0%	1	10.0%	6	60.0%	0	0.0%	0	0.0%
GRANT	14	2	14.3%	0	0.0%	0	0.0%	3	21.4%	0	0.0%	8	57.1%	1	7.1%	0	0.0%
GREENBRIER	37	0	0.0%	1	2.7%	2	5.4%	2	5.4%	8	21.6%	23	62.2%	1	2.7%	0	0.0%
HAMPSHIRE	20	0	0.0%	0	0.0%	1	5.0%	2	10.0%	7	35.0%	9	45.0%	1	5.0%	0	0.0%
HANCOCK	27	2	7.4%	1	3.7%	1	3.7%	0	0.0%	1	3.7%	22	81.5%	0	0.0%	0	0.0%
HARDY	13	1	7.7%	2	15.4%	0	0.0%	0	0.0%	0	0.0%	10	76.9%	0	0.0%	0	0.0%
HARRISON	88	6	6.8%	0	0.0%	4	4.5%	7	8.0%	13	14.8%	55	62.5%	2	2.3%	1	1.1%
JACKSON	30	0	0.0%	0	0.0%	1	3.3%	1	3.3%	10	33.3%	18	60.0%	0	0.0%	0	0.0%
JEFFERSON	53	5	9.4%	1	1.9%	7	13.2%	5	9.4%	10	18.9%	21	39.6%	4	7.5%	0	0.0%
KANAWHA	196	4	2.0%	3	1.5%	15	7.7%	13	6.6%	46	23.5%	105	53.6%	10	5.1%	0	0.0%
LEWIS	18	0	0.0%	1	5.6%	1	5.6%	1	5.6%	2	11.1%	11	61.1%	2	11.1%	0	0.0%
LINCOLN	23	1	4.3%	0	0.0%	0	0.0%	1	4.3%	3	13.0%	18	78.3%	0	0.0%	0	0.0%
LOGAN	45	0	0.0%	1	2.2%	2	4.4%	1	2.2%	3	6.7%	37	82.2%	1	2.2%	0	0.0%
MARION	36	0	0.0%	1	2.8%	2	5.6%	2	5.6%	8	22.2%	22	61.1%	1	2.8%	0	0.0%
MARSHALL	30	2	6.7%	2	6.7%	1	3.3%	2	6.7%	3	10.0%	18	60.0%	2	6.7%	0	0.0%
MASON	29	0	0.0%	0	0.0%	3	10.3%	4	13.8%	3	10.3%	18	62.1%	1	3.4%	0	0.0%
MCDOWELL	33	0	0.0%	0	0.0%	0	0.0%	1	3.0%	4	12.1%	27	81.8%	1	3.0%	0	0.0%
MERCER	51	1	2.0%	1	2.0%	1	2.0%	3	5.9%	4	7.8%	39	76.5%	2	3.9%	0	0.0%
MINERAL	32	1	3.1%	1	3.1%	1	3.1%	2	6.3%	4	12.5%	22	68.8%	1	3.1%	0	0.0%
MINGO	42	0	0.0%	1	2.4%	3	7.1%	0	0.0%	5	11.9%	33	78.6%	0	0.0%	0	0.0%
MONONGALIA	65	10	15.4%	2	3.1%	6	9.2%	1	1.5%	8	12.3%	36	55.4%	2	3.1%	0	0.0%
MONROE	13	1	7.7%	1	7.7%	2	15.4%	2	15.4%	3	23.1%	3	23.1%	1	7.7%	0	0.0%
MORGAN	21	1	4.8%	0	0.0%	4	19.0%	0	0.0%	7	33.3%	8	38.1%	1	4.8%	0	0.0%
NICHOLAS	37	0	0.0%	0	0.0%	3	8.1%	0	0.0%	2	5.4%	31	83.8%	1	2.7%	0	0.0%
OHIO	36	1	2.8%	0	0.0%	2	5.6%	0	0.0%	5	13.9%	27	75.0%	1	2.8%	0	0.0%
PENDLETON	8	0	0.0%	0	0.0%	1	12.5%	1	12.5%	0	0.0%	6	75.0%	0	0.0%	0	0.0%
PLEASANTS	12	0	0.0%	0	0.0%	0	0.0%	0	0.0%	0	0.0%	11	91.7%	1	8.3%	0	0.0%
POCAHONTAS	9	0	0.0%	0	0.0%	2	22.2%	1	11.1%	1	11.1%	4	44.4%	1	11.1%	0	0.0%
PRESTON	26	0	0.0%	1	3.8%	0	0.0%	1	3.8%	3	11.5%	18	69.2%	2	7.7%	1	3.8%
PUTNAM	63	4	6.3%	2	3.2%	1	1.6%	1	1.6%	6	9.5%	46	73.0%	3	4.8%	0	0.0%
RALEIGH	97	3	3.1%	3	3.1%	6	6.2%	5	5.2%	16	16.5%	61	62.9%	3	3.1%	0	0.0%
RANDOLPH	27	1	3.7%	0	0.0%	0	0.0%	4	14.8%	3	11.1%	19	70.4%	0	0.0%	0	0.0%
RITCHIE	13	0	0.0%	0	0.0%	0	0.0%	2	15.4%	3	23.1%	8	61.5%	0	0.0%	0	0.0%
ROANE	16	0	0.0%	0	0.0%	0	0.0%	1	6.3%	3	18.8%	12	75.0%	0	0.0%	0	0.0%
SUMMERS	15	0	0.0%	2	13.3%	0	0.0%	1	6.7%	3	20.0%	8	53.3%	1	6.7%	0	0.0%
TAYLOR	15	0	0.0%	0	0.0%	0	0.0%	2	13.3%	1	6.7%	12	80.0%	0	0.0%	0	0.0%
TUCKER	9	0	0.0%	0	0.0%	0	0.0%	0	0.0%	3	33.3%	6	66.7%	0	0.0%	0	0.0%
TYLER	11	0	0.0%	1	9.1%	0	0.0%	0	0.0%	2	18.2%	8	72.7%	0	0.0%	0	0.0%
UPSHUR	25	1	4.0%	1	4.0%	0	0.0%	1	4.0%	7	28.0%	13	52.0%	2	8.0%	0	0.0%
WAYNE	59	3	5.1%	0	0.0%	4	6.8%	3	5.1%	11	18.6%	35	59.3%	3	5.1%	0	0.0%
WEBSTER	22	1	4.5%	3	13.6%	0	0.0%	0	0.0%	3	13.6%	15	68.2%	0	0.0%	0	0.0%
WETZEL	19	0	0.0%	0	0.0%	0	0.0%	1	5.3%	1	5.3%	17	89.5%	0	0.0%	0	0.0%
WIRT	6	0	0.0%	0	0.0%	0	0.0%	0	0.0%	2	33.3%	4	66.7%	0	0.0%	0	0.0%
WOOD	91	6	6.6%	1	1.1%	2	2.2%	13	14.3%	14	15.4%	50	54.9%	5	5.5%	0	0.0%
WYOMING	30	2	6.7%	1	3.3%	0	0.0%	0	0.0%	3	10.0%	24	80.0%	0	0.0%	0	0.0%
Total State	1,953	79	4.0%	42	2.2%	91	4.7%	114	5.8%	308	15.8%	1,248	63.9%	68	3.5%	3	0.2%

TABLE A2.9

EXPERIENCE AND SALARY CLASSIFICATIONS OF  
WEST VIRGINIA EDUCATORS  
2008-2009 SCHOOL YEAR

EXPERIENCE	NUMBER OF PERSONNEL	Number and Percentage of Educators Holding a:															
		No degree		Bachelors		Bachelors +15		Masters		Masters + 15		Masters + 30		Masters + 45		Doctorate	
		N	%	N	%	N	%	N	%	N	%	N	%	N	%	N	%
0-3 Years	3834	14	0.37%	2246	59%	509	13%	541	14%	211	6%	181	5%	123	3%	9	0.23%
4-5 Years	1664	6	0.36%	545	33%	380	23%	251	15%	202	12%	153	9%	124	7%	3	0.18%
6-10 Years	3234	7	0.22%	577	18%	907	28%	385	12%	477	15%	435	13%	436	13%	10	0.31%
11-15 Years	2647	13	0.49%	196	7%	757	29%	186	7%	398	15%	459	17%	625	24%	13	0.49%
16-20 Years	2559	5	0.20%	117	5%	725	28%	127	5%	249	10%	437	17%	879	34%	20	0.78%
21-25 Years	3136	1	0.03%	69	2%	887	28%	119	4%	281	9%	445	14%	1308	42%	26	0.83%
26-30 Years	3352	1	0.03%	53	2%	802	24%	127	4%	212	6%	520	16%	1612	48%	25	0.75%
Above 30 Years	3941	3	0.08%	63	2%	782	20%	128	3%	196	5%	503	13%	2221	56%	45	1.14%
Total	24367	50	0.21%	3866	16%	5749	24%	1864	8%	2226	9%	3133	13%	7328	30%	151	0.62%

EXPERIENCE AND SALARY CLASSIFICATIONS OF  
WEST VIRGINIA ADMINISTRATORS  
2008-2009 SCHOOL YEAR

EXPERIENCE	NUMBER OF PERSONNEL	Number and Percentage of Administrators Holding a:															
		No degree		Bachelors		Bachelors +15		Masters		Masters + 15		Masters + 30		Masters + 45		Doctorate	
		N	%	N	%	N	%	N	%	N	%	N	%	N	%	N	%
0-3 Years	43	0	0.00%	23	53%	3	7%	7	16%	4	9%	1	2%	3	7%	2	5%
4-5 Years	34	0	0.00%	10	29%	4	12%	11	32%	7	21%	9	26%	8	24%	0	0%
6-10 Years	253	0	0.00%	19	8%	5	2%	25	10%	28	11%	34	13%	49	19%	3	1%
11-15 Years	289	1	0.35%	9	3%	2	1%	19	7%	17	6%	51	18%	90	31%	2	1%
16-20 Years	219	0	0.00%	7	3%	2	1%	13	6%	10	5%	52	24%	132	60%	5	2%
21-25 Years	310	1	0.32%	7	2%	6	2%	7	2%	21	7%	47	15%	224	72%	10	3%
26-30 Years	369	1	0.27%	2	1%	10	3%	3	1%	12	3%	45	12%	241	65%	16	4%
Above 30 Years	611	0	0.00%	2	0%	10	2%	6	1%	15	2%	69	11%	501	82%	30	5%
Total	2128	3	0.14%	79	4%	42	2%	91	4%	114	5%	308	14%	1248	59%	68	3%

TABLE A2.10  
AVERAGE SALARIES FOR PUBLIC SCHOOL EDUCATORS  
BY COUNTY

COUNTY	2007-2008		2008-2009	
	FTE	AVERAGE SALARY	FTE	AVERAGE SALARY
BARBOUR	215.5	\$42,899.84	213.5	\$45,235.55
BERKELEY	1,419	\$44,540.31	1450.75	\$47,296.10
BOONE	429.8	\$45,276.39	444	\$47,608.64
BRAXTON	224.5	\$43,597.41	219.5	\$46,290.44
BROOKE	304	\$44,869.65	302.5	\$47,676.80
CABELL	1,076	\$44,499.06	1068.45	\$46,820.64
CALHOUN	108	\$42,227.30	107.5	\$44,309.64
CLAY	170	\$44,614.89	171	\$46,144.35
DODDRIDGE	115.5	\$43,966.79	117.5	\$45,564.13
FAYETTE	608	\$44,536.02	607	\$47,229.78
GILMER	89.1	\$42,269.37	88.6	\$45,661.22
GRANT	182.5	\$41,477.97	179.5	\$44,327.64
GREENBRIER	453.2	\$44,513.97	465.6	\$46,634.64
HAMPSHIRE	324	\$41,316.56	298.73	\$44,067.14
HANCOCK	373	\$45,961.92	366	\$48,055.23
HARDY	181.1	\$43,486.74	176.5	\$45,947.54
HARRISON	933	\$45,135.04	948.1108	\$47,692.67
JACKSON	439.17	\$45,891.51	440.5	\$48,413.63
JEFFERSON	675.5	\$42,872.65	707.7801	\$45,064.17
KANAWHA	2,463	\$46,286.81	2,462	\$48,077.90
LEWIS	235	\$44,449.36	236.5	\$46,732.40
LINCOLN	321.5	\$43,953.72	321	\$45,423.09
LOGAN	537.5	\$43,902.36	532	\$46,201.73
MARION	743.7	\$43,671.10	704.2	\$46,690.68
MARSHALL	430	\$47,857.92	418	\$49,992.65
MASON	377.5	\$44,418.98	387	\$46,334.91
MERCER	362	\$44,968.28	351	\$47,071.71
MINERAL	806.5	\$44,218.54	829	\$46,111.96
MINGO	393	\$45,498.70	393.5	\$48,211.57
MONONGALIA	417	\$44,423.91	420.5006	\$46,813.81
MONROE	892.7	\$44,563.60	905.8	\$46,988.66
MORGAN	171.9674	\$41,068.09	177.9674	\$43,116.54
MCDOWELL	228.75	\$41,992.66	231.25	\$44,695.60
NICHOLAS	359.5	\$44,160.69	370	\$45,938.94
OHIO	462.9	\$46,410.33	459.67	\$48,909.00
PENDLETON	103.5	\$44,617.02	101.4251	\$46,811.91
PLEASANTS	131.5	\$47,636.94	131	\$51,104.96
POCAHONTAS	116.5	\$42,838.73	112.5	\$44,926.51
PRESTON	397.01	\$43,076.96	412.55	\$44,840.64
PUTNAM	768	\$47,404.23	774	\$49,771.58
RALEIGH	1,042	\$43,927.47	1032.8	\$46,281.59
RANDOLPH	379	\$45,017.07	382.9	\$47,339.69
RITCHIE	143	\$44,735.16	145	\$47,251.79
ROANE	217	\$43,282.17	211.5001	\$45,260.40
SUMMERS	139	\$43,157.28	140	\$45,713.77
TAYLOR	192	\$45,598.62	191.5	\$47,632.19
TUCKER	99.5	\$43,210.38	101	\$45,627.75
TYLER	141	\$45,051.88	140	\$46,755.80
UPSHUR	334.8	\$44,691.87	335.8	\$46,476.18
WAYNE	646.7	\$42,306.46	651.5	\$44,587.43
WEBSTER	143	\$42,108.85	141.5	\$45,142.71
WETZEL	263.3	\$46,943.62	256.745	\$49,764.49
WIRT	91.57	\$41,199.81	93	\$42,535.11
WOOD	1,105	\$46,406.51	1115.5	\$48,678.89
WYOMING	384.25	\$45,029.76	381.75	\$46,941.34
STATE AVERAGES	24,361	\$44,255.26	24,424	\$46,559.92

NOTE: Column totals, where applicable, may not add up to 100% due to rounding.  
FTE: Full Time Equivalency



TABLE A2.11  
AVERAGE SALARIES FOR CLASSROOM TEACHERS  
BY COUNTY

COUNTY	2007-2008		2008-2009	
	FTE	AVERAGE SALARY	FTE	AVERAGE SALARY
BARBOUR	185.88	\$41,546.37	180.6	\$43,877.38
BERKELEY	1,184	\$41,931.14	1208	\$44,475.50
BOONE	360	\$42,922.99	369.5	\$45,157.31
BRAXTON	186	\$41,339.19	180.5	\$43,865.15
BROOKE	248.68	\$42,883.76	248.81	\$45,572.07
CABELL	865	\$42,226.60	851.95	\$44,553.14
CALHOUN	93.1	\$40,447.35	87.5	\$41,476.87
CLAY	147.8	\$42,423.36	148.2	\$43,902.25
DODDRIDGE	87	\$42,280.42	88	\$43,822.63
FAYETTE	512	\$42,606.06	504.5	\$45,160.40
GILMER	64.1	\$40,149.23	65.1	\$43,438.91
GRANT	142.75	\$39,689.59	142.5	\$42,384.43
GREENBRIER	364.2	\$42,540.79	373.1	\$44,259.82
HAMPSHIRE	259	\$38,865.22	244.73	\$41,647.05
HANCOCK	300.5	\$43,400.74	293	\$45,263.88
HARDY	145.6	\$41,203.72	143.5	\$43,882.76
HARRISON	732	\$42,604.99	741.1108	\$45,203.20
JACKSON	347.75	\$43,718.74	352.25	\$46,177.92
JEFFERSON	572.5	\$40,437.50	596.28	\$42,425.30
KANAWHA	1,959	\$44,289.41	1,959	\$45,802.69
LEWIS	184.75	\$42,400.34	183.5	\$44,544.05
LINCOLN	273	\$42,084.81	265	\$43,279.99
LOGAN	457.7	\$42,000.45	438	\$44,040.15
MARION	631.2	\$41,931.81	597.7	\$44,771.06
MARSHALL	346.5	\$45,630.30	334.5	\$48,050.63
MASON	321	\$42,342.05	327	\$44,407.85
MERCER	275.5	\$42,263.67	264.5	\$44,307.41
MINERAL	659	\$42,475.52	676	\$44,195.59
MINGO	321.28	\$43,099.30	321.28	\$45,657.73
MONONGALIA	316.5	\$41,727.12	324	\$44,017.54
MONROE	686.4	\$42,229.49	704	\$44,466.57
MORGAN	147.9674	\$39,205.69	148.9674	\$41,615.15
MCDOWELL	182.45	\$39,361.34	179.2	\$41,872.95
NICHOLAS	307.5	\$42,459.93	313	\$44,050.16
OHIO	360	\$43,860.63	357.5	\$46,420.85
PENDLETON	88	\$42,817.64	86.4251	\$44,812.49
PLEASANTS	108	\$44,603.15	105.5	\$48,032.42
POCAHONTAS	93.5	\$40,483.77	88.5	\$42,533.01
PRESTON	326.35	\$41,863.75	337.8	\$43,600.34
PUTNAM	634.5	\$45,106.55	637.5	\$47,419.84
RALEIGH	814	\$41,329.88	812.5	\$43,704.47
RANDOLPH	318	\$43,186.75	321	\$45,345.62
RITCHIE	115.1	\$42,742.48	112.5	\$45,206.80
ROANE	183.7	\$41,662.57	179	\$43,388.21
SUMMERS	104.97	\$40,770.86	103.97	\$42,880.16
TAYLOR	155	\$43,965.62	154.5	\$46,014.89
TUCKER	82.5	\$40,961.36	81	\$43,309.08
TYLER	119	\$42,701.51	109	\$44,643.43
UPSHUR	280.3	\$42,786.89	280.3	\$44,712.69
WAYNE	528.6	\$40,168.34	529.3	\$42,338.90
WEBSTER	113.5	\$40,713.85	110	\$43,561.11
WETZEL	221.3	\$44,506.62	211.505	\$47,420.90
WIRT	76.5	\$38,907.82	77	\$39,823.83
WOOD	916	\$44,032.54	923	\$46,256.31
WYOMING	329.25	\$42,879.67	325.25	\$44,495.80
STATE AVERAGES	19,834	\$42,123.11	19,798	\$44,319.03

NOTE: Column totals, where applicable, may not add up to 100% due to rounding.

FTE: Full Time Equivalency

TABLE A2.12  
AVERAGE SALARIES FOR BEGINNING CLASSROOM TEACHERS  
BY COUNTY

	2007-2008	2008-2009
COUNTY	AVERAGE SALARY	AVERAGE SALARY
BARBOUR	\$28,587.00	\$30,187.00
BERKELEY	\$31,000.00	\$33,000.00
BOONE	\$31,177.00	\$33,277.00
BRAXTON	\$28,587.00	\$30,187.00
BROOKE	\$28,913.00	\$30,513.00
CABELL	\$29,437.00	\$31,337.00
CALHOUN	\$28,587.00	\$30,687.00
CLAY	\$28,587.00	\$30,187.00
DODDRIDGE	\$28,587.00	\$30,187.00
FAYETTE	\$29,487.00	\$31,087.00
GILMER	\$28,587.00	\$30,187.00
GRANT	\$28,587.00	\$30,187.00
GREENBRIER	\$28,687.00	\$30,687.00
HAMPSHIRE	\$28,587.00	\$30,187.00
HANCOCK	\$29,485.00	\$31,785.00
HARDY	\$28,587.00	\$30,187.00
HARRISON	\$29,027.00	\$31,127.00
JACKSON	\$30,547.00	\$32,397.00
JEFFERSON	\$30,172.00	\$31,772.00
KANAWHA	\$30,318.00	\$31,918.00
LEWIS	\$28,587.00	\$30,187.00
LINCOLN	\$28,887.00	\$30,487.00
LOGAN	\$29,587.00	\$31,187.00
MARION	\$28,627.00	\$30,227.00
MARSHALL	\$29,852.00	\$31,452.00
MASON	\$29,712.00	\$31,312.00
MERCER	\$28,687.00	\$30,287.00
MINERAL	\$29,062.00	\$30,862.00
MINGO	\$29,087.00	\$30,687.00
MONONGALIA	\$29,387.00	\$31,412.00
MONROE	\$28,587.00	\$30,187.00
MORGAN	\$30,063.00	\$32,343.00
MCDOWELL	\$28,787.00	\$30,387.00
NICHOLAS	\$28,587.00	\$30,187.00
OHIO	\$29,787.00	\$31,387.00
PENDLETON	\$28,587.00	\$30,187.00
PLEASANTS	\$30,029.00	\$31,879.00
POCAHONTAS	\$28,587.00	\$30,187.00
PRESTON	\$28,587.00	\$30,187.00
PUTNAM	\$31,214.00	\$32,814.00
RALEIGH	\$29,137.00	\$30,937.00
RANDOLPH	\$28,587.00	\$30,187.00
RITCHIE	\$28,937.00	\$30,537.00
ROANE	\$28,587.00	\$30,187.00
SUMMERS	\$28,587.00	\$30,187.00
TAYLOR	\$28,587.00	\$30,437.00
TUCKER	\$28,587.00	\$30,187.00
TYLER	\$28,587.00	\$30,187.00
UPSHUR	\$28,587.00	\$30,187.00
WAYNE	\$28,587.00	\$30,187.00
WEBSTER	\$28,587.00	\$30,187.00
WETZEL	\$28,587.00	\$30,187.00
WIRT	\$28,587.00	\$30,187.00
WOOD	\$30,347.00	\$31,947.00
WYOMING	\$28,587.00	\$30,187.00
STATE AVERAGES	\$29,114.00	\$30,815.00

NOTE: Column totals, where applicable, may not add up to 100% due to rounding.  
FTE: Full Time Equivalency

TABLE A2.13  
WEST VIRGINIA EDUCATORS  
HOLDING PERMANENT LICENSES  
2008-2009 SCHOOL YEAR  
BY COUNTY

COUNTY	PROFESSIONAL EMPLOYEES		PERMANENT LICENSE		PERCENT OF EMPLOYEES WITH PERMANENT LICENSE	
	2007-2008	2008-2009	2007-2008	2008-2009	2007-2008	2008-2009
BARBOUR	218	216	143	139	66%	64%
BERKELEY	1427	1452	592	590	41%	41%
BOONE	425	437	270	258	64%	59%
BRAXTON	223	217	142	138	64%	64%
BROOKE	303	303	198	196	65%	65%
CABELL	1059	1059	650	627	61%	59%
CALHOUN	109	107	65	58	60%	54%
CLAY	169	170	123	114	73%	67%
DODDRIDGE	115	117	67	64	58%	55%
FAYETTE	607	599	406	386	67%	64%
GILMER	90	87	58	58	64%	67%
GRANT	181	180	86	89	48%	49%
GREENBRIER	452	464	289	276	64%	59%
HAMPSHIRE	317	293	155	152	49%	52%
HANCOCK	368	362	224	208	61%	57%
HARDY	180	177	113	115	63%	65%
HARRISON	958	977	600	595	63%	61%
JACKSON	444	444	278	275	63%	62%
JEFFERSON	667	697	295	293	44%	42%
KANAWHA	2453	2453	1597	1485	65%	61%
LEWIS	231	233	156	153	68%	66%
LINCOLN	320	318	197	182	62%	57%
LOGAN	535	529	331	317	62%	60%
MARION	746	707	478	463	64%	65%
MARSHALL	427	419	297	275	70%	66%
MASON	379	386	237	225	63%	58%
MCDOWELL	358	348	254	236	71%	68%
MERCER	805	831	519	502	64%	60%
MINERAL	392	393	250	242	64%	62%
MINGO	412	413	269	252	65%	61%
MONONGALIA	863	875	538	530	62%	61%
MONROE	173	177	89	87	51%	49%
MORGAN	227	228	85	89	37%	39%
NICHOLAS	356	365	240	235	67%	64%
OHIO	479	484	279	274	58%	57%
PENDLETON	104	102	74	66	71%	65%
PLEASANTS	132	132	92	91	70%	69%
POCAHONTAS	117	113	67	60	57%	53%
PRESTON	394	408	267	259	68%	63%
PUTNAM	768	774	482	474	63%	61%
RALEIGH	1045	1040	631	606	60%	58%
RANDOLPH	378	381	265	259	70%	68%
RITCHIE	141	143	104	97	74%	68%
ROANE	214	207	143	135	67%	65%
SUMMERS	138	139	83	81	60%	58%
TAYLOR	195	193	141	132	72%	68%
TUCKER	100	102	59	59	59%	58%
TYLER	138	138	91	86	66%	62%
UPSHUR	334	334	226	219	68%	66%
WAYNE	637	638	372	360	58%	56%
WEBSTER	143	140	94	93	66%	66%
WETZEL	270	264	185	175	69%	66%
WIRT	92	93	45	41	49%	44%
WOOD	1118	1131	738	720	66%	64%
WYOMING	380	379	259	247	68%	65%
Total State Personnel	24,306	24,368	14,988	14,438	62%	59%

TABLE B1  
WEST VIRGINIA FULL-TIME EQUIVALENCY  
PROFESSIONAL POSTED POSITIONS BY SPECIALIZATIONS  
2008-2009 SCHOOL YEAR

PROFESSIONAL SPECIALIZATIONS	2008-2009 TOTAL POSITIONS POSTED	2008-2009 POSTED POSITIONS FILLED	2008-2009 POSITIONS NOT FILLED	2007-2008 STATUS OF PERSONNEL WHO FILLED 2008-2009 POSTED POSITIONS					POSTED POSITIONS FILLED BY 1ST-YEAR EDUCATORS WHOSE BACHELOR'S DEGREE WAS	
				EMPLOYED IN REPORTING CO. SCHOOL SYSTEM	EMPLOYED IN ANOTHER WV CO. SCHOOL SYSTEM	EMPLOYED IN OUT-OF-STATE SCHOOL SYSTEM	EMPLOYED IN HIGHER EDUCATION	NOT EMPLOYED IN EDUCATION	COMPLETED AT A WV INSTITUTION	COMPLETED AT AN OUT-OF-STATE INSTITUTION
	(1)	(2)	(3)	(4)	(5)	(6)	(7)	(8)	(9)	(10)
<b>GENERAL EDUCATION</b>										
ALTERNATIVE EDUCATION	28.5	25.0	3.5	19.5	0.0	0.0	1.0	1.0	3.5	0.0
ART	71.5	64.5	7.0	44.0	5.5	1.0	1.0	3.0	9.0	1.0
BIOLOGY	35.5	30.0	5.5	9.5	5.5	1.0	1.0	3.0	7.0	3.0
CHEMISTRY	30.0	23.0	7.0	7.5	4.0	0.5	0.0	6.0	4.0	1.0
EARLY EDUCATION	181.5	173.5	8.0	142.0	9.5	8.0	0.0	6.0	6.0	2.0
ELEMENTARY EDUCATION	1189.5	1170.5	19.0	930.5	39.0	25.0	1.0	16.0	134.0	25.0
ENGLISH/LANGUAGE ARTS	281.0	262.5	18.5	147.0	25.0	23.0	0.5	12.5	42.5	12.0
FRENCH	9.5	7.5	2.0	3.0	0.5	1.5	0.0	0.0	1.5	1.0
GENERAL SCIENCE	125.0	112.5	12.5	65.5	8.5	10.0	0.0	7.0	19.5	2.0
GERMAN	1.0	0.0	1.0	0.0	0.0	0.0	0.0	0.0	0.0	0.0
HEALTH	46.5	43.0	3.5	32.5	2.5	2.5	0.0	1.0	4.5	0.0
JOURNALISM	2.5	2.5	0.0	2.5	0.0	0.0	0.0	0.0	0.0	0.0
LATIN	0.0	0.0	0.0	0.0	0.0	0.0	0.0	0.0	0.0	0.0
MATHEMATICS	233.0	208.0	25.0	116.0	27.5	15.0	2.0	9.0	32.5	6.0
MUSIC	106.0	101.0	5.0	53.5	15.5	9.0	0.0	6.5	14.5	2.0
ORAL COMMUNICATIONS	10.0	10.0	0.0	8.0	2.0	0.0	0.0	0.0	0.0	0.0
PHYSICAL EDUCATION	107.5	103.0	4.5	64.0	14.5	5.5	0.0	2.0	17.0	0.0
PHYSICS	10.0	5.0	5.0	1.5	1.0	0.0	0.0	0.0	0.0	2.5
READING SPECIALIST	243.5	215.5	28.0	139.5	20.5	4.0	1.0	7.5	34.0	9.0
RUSSIAN	0.0	0.0	0.0	0.0	0.0	0.0	0.0	0.0	0.0	0.0
SAFETY EDUCATION	12.5	11.5	1.0	10.0	0.5	1.0	0.0	0.0	0.0	0.0
SCHOOL LIBRARY/MEDIA	40.5	35.5	5.0	28.5	0.0	3.0	0.0	0.0	3.0	1.0
SOCIAL STUDIES	153.0	147.0	6.0	99.5	9.0	4.0	1.0	2.0	27.5	4.0
SPANISH	57.5	46.0	11.5	16.0	7.5	4.0	1.5	5.0	8.0	4.0
<b>GENERAL EDUCATION TOTALS</b>	<b>2975.5</b>	<b>2797.0</b>	<b>178.5</b>	<b>1940.0</b>	<b>198.0</b>	<b>118.0</b>	<b>10.0</b>	<b>87.5</b>	<b>368.0</b>	<b>75.5</b>
<b>SPECIAL EDUCATION</b>										
BEHAVIOR DISORDERS	47.0	38.0	9.0	22.0	8.0	4.0	0.0	0.0	4.0	0.0
GIFTED	45.5	35.5	10.0	18.0	2.0	4.0	0.0	2.0	7.5	2.0
HEARING IMPAIRED	13.5	11.0	2.5	6.0	1.0	2.0	0.0	2.0	0.0	0.0
MENTALLY IMPAIRED	39.5	37.5	2.0	25.5	1.0	1.0	0.0	3.0	6.0	1.0
MULTI-CATEGORICAL	432.0	393.5	38.5	247.5	35.5	13.0	0.5	14.0	78.5	4.5
PHYSICALLY HANDICAPPED	1.0	1.0	0.0	1.0	0.0	0.0	0.0	0.0	0.0	0.0
PRE-SCHOOL SPECIAL NEEDS	88.0	75.5	12.5	40.0	9.5	6.0	1.0	7.0	11.0	1.0
SEVERELY/PROFOUNDLY IMPAIRED	33.5	23.5	10.0	14.0	2.0	0.0	0.0	2.0	4.5	1.0
SPECIFIC LEARNING DISABILITIES	47.5	38.5	9.0	20.5	8.0	3.0	0.0	0.0	5.0	2.0
VISUALLY IMPAIRED	15.0	10.0	5.0	4.5	2.0	0.0	0.0	0.5	2.0	1.0
AUTISM	66.0	48.0	18.0	28.5	3.5	2.0	0.0	1.5	8.5	4.0
<b>SPECIAL EDUCATION TOTALS</b>	<b>828.5</b>	<b>712.0</b>	<b>116.5</b>	<b>427.5</b>	<b>72.5</b>	<b>35.0</b>	<b>1.5</b>	<b>32.0</b>	<b>127.0</b>	<b>16.5</b>
<b>ADMINISTRATIVE/SUPPORT</b>										
ATHLETIC TRAINER	28.0	21.0	7.0	11.0	1.0	0.0	0.0	9.0	0.0	0.0
COUNSELOR	137.0	131.5	5.5	62.0	22.5	4.0	0.0	7.0	34.0	2.0
EDUCATIONAL AUDIOLOGIST	0.0	0.0	0.0	0.0	0.0	0.0	0.0	0.0	0.0	0.0
PRINCIPAL	180.5	177.5	3.0	153.0	19.5	4.0	0.0	0.0	1.0	0.0
SCHOOL BUSINESS OFFICIAL	4.0	4.0	0.0	2.0	1.0	0.0	0.0	1.0	0.0	0.0
SCHOOL NURSE	27.5	25.5	2.0	8.0	2.0	0.0	0.0	11.5	4.0	0.0
SCHOOL PSYCHOLOGIST	9.0	8.0	1.0	4.0	2.0	1.0	0.0	1.0	0.0	0.0
SOCIAL SERVICE & ATTENDANCE	6.0	6.0	0.0	5.0	0.0	0.0	0.0	1.0	0.0	0.0
SPEECH LANGUAGE PATHOLOGIST	73.5	47.5	26.0	16.0	11.0	2.0	0.0	8.0	10.0	0.5
SUPERINTENDENT	8.0	8.0	0.0	7.0	1.0	0.0	0.0	0.0	0.0	0.0
SUPERVISOR OF INSTRUCTION	36.0	34.0	2.0	31.0	2.0	1.0	0.0	0.0	0.0	0.0
VOCATIONAL ADMINISTRATION	1.5	1.5	0.0	0.5	0.0	0.0	0.0	1.0	0.0	0.0
<b>ADMIN/SUPPORT TOTALS</b>	<b>511.0</b>	<b>464.5</b>	<b>46.5</b>	<b>299.5</b>	<b>62.0</b>	<b>12.0</b>	<b>0.0</b>	<b>39.5</b>	<b>49.0</b>	<b>2.5</b>
<b>VOCATIONAL EDUCATION</b>										
AGRICULTURE	14.0	13.0	1.0	6.0	3.0	2.0	0.0	1.0	1.0	0.0
BUSINESS EDUCATION	39.5	34.5	5.0	22.5	6.0	1.5	0.0	1.0	3.5	0.0
FAMILY & CONSUMER SCIENCE	29.0	23.0	6.0	12.0	1.0	4.0	0.0	3.0	3.0	0.0
MARKETING	2.5	2.5	0.0	1.0	0.5	0.0	0.0	0.0	1.0	0.0
TECHNOLOGY EDUCATION	34.0	31.0	3.0	20.5	4.0	0.0	0.0	1.5	5.0	0.0
<b>VOCATIONAL EDUCATION TOTALS</b>	<b>119.0</b>	<b>104.0</b>	<b>15.0</b>	<b>62.0</b>	<b>14.5</b>	<b>7.5</b>	<b>0.0</b>	<b>6.5</b>	<b>13.5</b>	<b>0.0</b>
<b>OTHER SPECIALIZATIONS</b>	<b>165.5</b>	<b>139.5</b>	<b>26.0</b>	<b>96.0</b>	<b>9.5</b>	<b>8.0</b>	<b>0.0</b>	<b>19.0</b>	<b>5.0</b>	<b>2.0</b>
<b>TOTALS</b>	<b>4599.5</b>	<b>4217.0</b>	<b>382.5</b>	<b>2825.0</b>	<b>356.5</b>	<b>180.5</b>	<b>11.5</b>	<b>184.5</b>	<b>562.5</b>	<b>96.5</b>

TABLE B2  
WEST VIRGINIA FULL-TIME EQUIVALENCY  
PROFESSIONAL POSTED POSITIONS NOT FILLED AND REASONS  
2007-2008 SCHOOL YEAR

PROFESSIONAL SPECIALIZATIONS	PROFESSIONAL POSITIONS NOT FILLED BY FULL-TIME EMPLOYEE DUE TO					
	2007-2008 TOTAL POSITIONS POSTED	2007-2008 POSITIONS NOT FILLED	LACK OF QUALIFIED APPLICANTS	CURRENT FISCAL RESTRAINTS	CANDIDATE SELECTION IN PROGRESS	OTHER
	(1)	(2)	(3)	(4)	(5)	(6)
<b>GENERAL EDUCATION</b>						
ALTERNATIVE EDUCATION	28.5	3.5	3.0	0.0	0.5	0.0
ART	71.5	7.0	6.0	0.0	1.0	0.0
BIOLOGY	35.5	5.5	5.0	0.0	0.5	0.0
CHEMISTRY	30.0	7.0	7.0	0.0	0.0	0.0
EARLY EDUCATION	181.5	8.0	7.0	0.0	1.0	0.0
ELEMENTARY EDUCATION	1189.5	19.0	6.0	9.0	4.0	0.0
ENGLISH/LANGUAGE ARTS	281.0	18.5	15.5	0.0	2.0	1.0
FRENCH	9.5	2.0	2.0	0.0	0.0	0.0
GENERAL SCIENCE	125.0	12.5	9.0	0.0	2.5	1.0
GERMAN	1.0	1.0	1.0	0.0	0.0	0.0
HEALTH	46.5	3.5	1.5	0.0	1.0	1.0
JOURNALISM	2.5	0.0	0.0	0.0	0.0	0.0
LATIN	0.0	0.0	0.0	0.0	0.0	0.0
MATHEMATICS	229.0	25.0	23.0	0.0	2.0	0.0
MUSIC	106.0	5.0	1.0	1.0	3.0	0.0
ORAL COMMUNICATIONS	8.0	0.0	0.0	0.0	0.0	0.0
PHYSICAL EDUCATION	107.5	4.5	2.0	0.0	1.5	1.0
PHYSICS	10.0	5.0	5.0	0.0	0.0	0.0
READING SPECIALIST	243.5	28.0	23.0	2.0	2.0	1.0
RUSSIAN	0.0	0.0	0.0	0.0	0.0	0.0
SAFETY EDUCATION	12.5	1.0	1.0	0.0	0.0	0.0
SCHOOL LIBRARY/MEDIA	40.5	5.0	5.0	0.0	0.0	0.0
SOCIAL STUDIES	153.0	6.0	0.5	1.0	1.5	3.0
SPANISH	57.5	11.5	11.5	0.0	0.0	0.0
<b>GENERAL EDUCATION TOTALS</b>	<b>2969.5</b>	<b>178.5</b>	<b>135.0</b>	<b>13.0</b>	<b>22.5</b>	<b>8.0</b>
<b>SPECIAL EDUCATION</b>						
BEHAVIOR DISORDERS	47.0	9.0	7.0	0.0	2.0	0.0
GIFTED	45.5	10.0	9.0	0.0	0.0	1.0
HEARING IMPAIRED	13.5	2.5	2.5	0.0	0.0	0.0
MENTALLY IMPAIRED	39.5	2.0	1.0	0.0	1.0	0.0
MULTI CATEGORICAL	432.0	38.5	33.0	0.0	5.5	0.0
PHYSICALLY HANDICAPPED	1.0	0.0	0.0	0.0	0.0	0.0
PRESCHOOL SPECIAL NEEDS	88.0	12.5	12.5	0.0	0.0	0.0
SEVERELY/PROFOUNDLY IMPAIRED	33.5	10.0	10.0	0.0	0.0	0.0
SPECIFIC LEARNING DISABILITIES	47.5	9.0	8.0	0.0	1.0	0.0
VISUALLY IMPAIRED	15.0	5.0	2.0	2.0	1.0	0.0
AUTISM	66.0	18.0	18.0	0.0	0.0	0.0
<b>SPECIAL EDUCATION TOTALS</b>	<b>828.5</b>	<b>116.5</b>	<b>103.0</b>	<b>2.0</b>	<b>10.5</b>	<b>1.0</b>
<b>ADMINISTRATIVE/SUPPORT</b>						
ATHLETIC TRAINER	28.0	7.0	7.0	0.0	0.0	0.0
COUNSELOR	137.0	5.5	3.5	0.0	2.0	0.0
EDUCATIONAL AUDIOLOGIST	0.0	0.0	0.0	0.0	0.0	0.0
PRINCIPAL	180.5	3.0	2.0	0.0	1.0	0.0
SCHOOL BUSINESS OFFICIAL	4.0	0.0	0.0	0.0	0.0	0.0
SCHOOL NURSE	27.5	2.0	2.0	0.0	0.0	0.0
SCHOOL PSYCHOLOGIST	9.0	1.0	1.0	0.0	0.0	0.0
SOCIAL SERVICE & ATTENDANCE	6.0	0.0	0.0	0.0	0.0	0.0
SPEECH LANGUAGE PATHOLOGIST	73.5	26.0	26.0	0.0	0.0	0.0
SUPERINTENDENT	8.0	0.0	0.0	0.0	0.0	0.0
SUPERVISOR OF INSTRUCTION	36.0	2.0	0.0	1.0	1.0	0.0
VOCATIONAL ADMINISTRATION	1.5	0.0	0.0	0.0	0.0	0.0
<b>ADMIN/SUPPORT TOTALS</b>	<b>511.0</b>	<b>46.5</b>	<b>41.5</b>	<b>1.0</b>	<b>4.0</b>	<b>0.0</b>
<b>VOCATIONAL EDUCATION</b>						
AGRICULTURE	14.0	1.0	0.0	0.0	0.0	1.0
BUSINESS EDUCATION	39.5	5.0	4.0	0.0	1.0	0.0
FAMILY & CONSUMER SCIENCE	29.0	6.0	6.0	0.0	0.0	0.0
MARKETING	2.5	0.0	0.0	0.0	0.0	0.0
TECHNOLOGY EDUCATION	34.0	3.0	3.0	0.0	0.0	0.0
<b>VOCATIONAL EDUCATION TOTALS</b>	<b>119.0</b>	<b>15.0</b>	<b>13.0</b>	<b>0.0</b>	<b>1.0</b>	<b>1.0</b>
<b>OTHER SPECIALIZATIONS</b>	<b>165.5</b>	<b>26.0</b>	<b>2.0</b>	<b>0.0</b>	<b>1.0</b>	<b>23.0</b>
<b>TOTALS</b>	<b>4593.5</b>	<b>382.5</b>	<b>294.5</b>	<b>16.0</b>	<b>39.0</b>	<b>33.0</b>

TABLE B3  
WEST VIRGINIA FULL-TIME EQUIVALENCY  
PROFESSIONAL POSTED POSITIONS BY SPECIALIZATIONS  
2008-2009 SCHOOL YEAR

PROFESSIONAL SPECIALIZATIONS	2008-2009 TOTAL POSITIONS POSTED	2008-2009 POSTED POSITIONS FILLED FOR 2008-2009	LICENSE HELD BY EMPLOYEE FOR ASSIGNMENT IN POSTED POSITION					POSITIONS FILLED BY EDUCATORS WITH PERMITS WHO HOLD A PROFESSIONAL OR VOCATIONAL CERTIFICATE IN ANOTHER AREA(S)
			PROFESSIONAL OR VOCATIONAL CERTIFICATE	TEMPORARY CERTIFICATE	OUT-OF-FIELD AUTHORIZATION	INTERNSHIPS & OTHER AUTHORIZATIONS	PERMIT	
	(1)	(2)	(3)	(4)	(5)	(6)	(7)	(8)
<b>GENERAL EDUCATION</b>								
ALTERNATIVE EDUCATION	28.5	25.0	15.0	3.0	1.0	6.0	0.0	3.5
ART	71.5	64.5	58.5	1.5	0.0	0.0	4.5	0.0
BIOLOGY	35.5	30.0	22.0	1.0	2.0	2.0	3.0	0.0
CHEMISTRY	30.0	23.0	16.5	0.0	1.0	0.0	5.5	0.0
EARLY EDUCATION	181.5	173.5	165.0	0.0	4.5	1.0	3.0	2.0
ELEMENTARY EDUCATION	1189.5	1170.5	1159.5	5.0	0.0	2.0	4.0	0.0
ENGLISH/LANGUAGE ARTS	281.0	262.5	234.0	4.0	4.5	3.0	17.0	0.0
FRENCH	9.5	7.5	7.0	0.5	0.0	0.0	0.0	0.0
GENERAL SCIENCE	125.0	112.5	89.0	1.0	4.0	1.0	17.5	0.0
GERMAN	1.0	0.0	0.0	0.0	0.0	0.0	0.0	0.0
HEALTH	46.5	43.0	37.0	0.0	2.0	0.0	4.0	2.0
JOURNALISM	2.5	2.5	2.5	0.0	0.0	0.0	0.0	0.0
LATIN	0.0	0.0	0.0	0.0	0.0	0.0	0.0	0.0
MATHEMATICS	229.0	204.0	171.0	5.0	6.0	1.0	21.0	1.0
MUSIC	106.0	101.0	97.5	0.0	0.0	1.0	2.5	0.0
ORAL COMMUNICATIONS	8.0	8.0	8.0	0.0	0.0	0.0	0.0	0.0
PHYSICAL EDUCATION	107.5	103.0	100.0	1.0	1.0	1.0	0.0	1.0
PHYSICS	10.0	5.0	3.0	1.0	0.0	0.0	1.0	0.0
READING SPECIALIST	243.5	215.5	141.5	2.0	33.5	3.0	35.5	21.5
RUSSIAN	0.0	0.0	0.0	0.0	0.0	0.0	0.0	0.0
SAFETY EDUCATION	12.5	11.5	10.5	0.0	0.5	0.0	0.5	0.0
SCHOOL LIBRARY/MEDIA	40.5	35.5	22.5	0.0	5.5	0.0	7.5	7.0
SOCIAL STUDIES	153.0	147.0	141.0	1.5	0.5	1.0	3.0	0.0
SPANISH	57.5	46.0	35.0	1.0	1.0	0.0	9.0	2.0
<b>GENERAL EDUCATION TOTALS</b>	<b>2969.5</b>	<b>2791.0</b>	<b>2536.0</b>	<b>27.5</b>	<b>67.0</b>	<b>22.0</b>	<b>138.5</b>	<b>40.0</b>
<b>SPECIAL EDUCATION</b>								
BEHAVIOR DISORDERS	47.0	38.0	33.0	0.0	2.0	0.0	3.0	0.0
GIFTED	45.5	35.5	13.5	0.0	14.5	0.0	7.5	8.0
HEARING IMPAIRED	13.5	11.0	6.0	0.0	2.0	0.0	3.0	1.0
MENTALLY IMPAIRED	39.5	37.5	30.0	1.0	3.0	0.5	3.0	0.0
MULTI-CATEGORICAL	432.0	393.5	235.5	3.0	42.5	2.0	110.5	40.5
PHYSICALLY HANDICAPPED	1.0	1.0	1.0	0.0	0.0	0.0	0.0	0.0
PRESCHOOL SPECIAL NEEDS	88.0	75.5	40.5	0.0	21.0	0.0	14.0	10.0
SEVERELY/PROFOUNDLY IMPAIRED	33.5	23.5	9.0	1.0	4.5	1.0	8.0	5.5
SPECIFIC LEARNING DISABILITIES	47.5	38.5	27.0	0.0	6.0	0.0	5.5	0.0
VISUALLY IMPAIRED	15.0	10.0	3.0	0.0	2.5	1.0	3.5	1.0
AUTISM	66.0	48.0	16.5	1.0	12.0	0.5	18.0	3.0
<b>SPECIAL EDUCATION TOTALS</b>	<b>828.5</b>	<b>712.0</b>	<b>415.0</b>	<b>6.0</b>	<b>110.0</b>	<b>5.0</b>	<b>176.0</b>	<b>69.0</b>
<b>ADMINISTRATIVE/SUPPORT</b>								
ATHLETIC TRAINER	28.0	21.0	8.0	7.0	0.0	1.0	5.0	0.0
COUNSELOR	137.0	131.5	110.5	1.0	2.0	0.0	18.0	0.0
EDUCATIONAL AUDIOLOGIST	0.0	0.0	0.0	0.0	0.0	0.0	0.0	0.0
PRINCIPAL	180.5	177.5	172.5	3.0	0.0	0.0	2.0	1.0
SCHOOL BUSINESS OFFICIAL	4.0	4.0	3.0	0.0	0.0	1.0	0.0	0.0
SCHOOL NURSE	27.5	25.5	10.5	0.0	0.0	0.0	15.0	0.0
SCHOOL PSYCHOLOGIST	9.0	8.0	8.0	0.0	0.0	0.0	0.0	0.0
SOCIAL SERVICE & ATTENDANCE	6.0	6.0	4.0	0.0	0.0	0.0	2.0	0.0
SPEECH LANGUAGE PATHOLOGIST	73.5	47.5	42.0	1.0	0.0	2.0	2.5	0.0
SUPERINTENDENT	8.0	8.0	7.0	0.0	0.0	0.0	1.0	0.0
SUPERVISOR OF INSTRUCTION	36.0	34.0	34.0	0.0	0.0	0.0	0.0	0.0
VOCATIONAL ADMINISTRATION	1.5	1.5	1.0	0.0	0.0	0.0	0.5	0.0
<b>ADMIN/SUPPORT TOTALS</b>	<b>511.0</b>	<b>464.5</b>	<b>400.5</b>	<b>12.0</b>	<b>2.0</b>	<b>4.0</b>	<b>46.0</b>	<b>1.0</b>
<b>VOCATIONAL EDUCATION</b>								
AGRICULTURE	14.0	13.0	10.0	0.0	0.0	0.0	3.0	2.0
BUSINESS EDUCATION	39.5	34.5	31.0	0.0	1.0	0.0	2.5	1.0
FAMILY & CONSUMER SCIENCE	29.0	23.0	18.0	0.0	2.5	0.0	2.5	1.0
MARKETING	2.5	2.5	0.5	0.0	0.0	0.0	2.0	1.0
TECHNOLOGY EDUCATION	34.0	31.0	21.5	5.0	0.0	1.0	3.5	4.0
<b>VOCATIONAL EDUCATION TOTALS</b>	<b>119.0</b>	<b>104.0</b>	<b>81.0</b>	<b>5.0</b>	<b>3.5</b>	<b>1.0</b>	<b>13.5</b>	<b>9.0</b>
<b>OTHER SPECIALIZATIONS</b>	<b>165.5</b>	<b>139.5</b>	<b>110.0</b>	<b>7.0</b>	<b>3.5</b>	<b>8.0</b>	<b>11.0</b>	<b>8.0</b>
<b>TOTALS</b>	<b>4593.5</b>	<b>4211.0</b>	<b>3542.5</b>	<b>57.5</b>	<b>186.0</b>	<b>40.0</b>	<b>385.0</b>	<b>127.0</b>

TABLE B4  
WEST VIRGINIA FULL-TIME EQUIVALENCY  
REASONS FOR NON-RETURNING EDUCATORS  
2008-2009 SCHOOL YEAR

REASONS FOR PROFESSIONAL EDUCATORS EMPLOYED IN 2007-2008 NOT RETURNING IN 2008-2009											
PROFESSIONAL SPECIALIZATIONS	TOTAL NON-RETURNING EDUCATORS	RETIRED	DECEASED	TERMINATED DUE TO A REDUCTION IN FORCE (RIF)	TERMINATED DUE TO REASONS OTHER THAN RIF	RESIGNED TO ACCEPT AN EDUCATION POSITION IN WV	RESIGNED TO ACCEPT AN EDUCATION POSITION OUT-OF-STATE	RESIGNED TO ACCEPT EMPLOYMENT IN A NON-EDUCATION POSITION	RESIGNED TO PURSUE FULL-TIME GRADUATE STUDIES	RECEIVED A LEAVE OF ABSENCE	OTHER/ UNKNOWN
	(1)	(2)	(3)	(4)	(5)	(6)	(7)	(8)	(9)	(10)	(11)
<b>GENERAL EDUCATION</b>											
ALTERNATIVE EDUCATION	15.0	6.0	0.0	1.0	1.0	0.0	0.0	2.0	0.0	0.0	5.0
ART	31.5	22.0	0.0	0.0	1.0	3.5	2.0	1.0	0.0	0.0	2.0
BIOLOGY	20.0	9.0	0.0	0.0	0.0	6.0	0.0	1.0	0.0	0.0	4.0
CHEMISTRY	20.0	7.0	0.0	1.0	0.0	2.0	4.0	3.5	0.0	0.0	2.5
EARLY EDUCATION	38.5	24.0	0.0	2.0	0.0	3.5	1.0	0.0	0.0	1.0	7.0
ELEMENTARY EDUCATION	362.5	246.0	3.0	7.0	3.0	24.0	27.0	4.0	0.0	5.0	43.5
ENGLISH/LANGUAGE ARTS	117.5	66.0	2.0	2.5	0.5	14.5	10.0	3.0	0.5	4.0	14.5
FRENCH	6.0	4.5	0.0	0.0	0.0	0.0	0.0	0.5	0.0	0.0	1.0
GENERAL SCIENCE	44.5	16.0	0.0	1.0	0.0	11.0	6.0	0.0	0.0	0.0	10.5
GERMAN	1.0	0.0	0.0	0.0	0.0	0.0	1.0	0.0	0.0	0.0	0.0
HEALTH	18.5	13.0	1.0	1.0	0.0	1.0	0.5	0.5	0.5	0.5	0.5
JOURNALISM	0.0	0.0	0.0	0.0	0.0	0.0	0.0	0.0	0.0	0.0	0.0
LATIN	0.0	0.0	0.0	0.0	0.0	0.0	0.0	0.0	0.0	0.0	0.0
MATHEMATICS	80.0	33.0	0.0	1.5	1.0	14.0	4.5	4.5	0.0	1.0	20.5
MUSIC	34.0	13.0	1.0	2.0	2.0	7.0	4.0	1.0	0.0	0.0	4.0
ORAL COMMUNICATIONS	2.0	2.0	0.0	0.0	0.0	0.0	0.0	0.0	0.0	0.0	0.0
PHYSICAL EDUCATION	32.0	17.5	0.5	0.5	0.0	6.5	0.5	0.5	0.0	1.5	4.5
PHYSICS	1.5	0.0	0.0	0.0	0.0	0.0	0.0	0.0	0.0	0.0	1.5
READING SPECIALIST	60.5	26.0	0.0	3.0	0.0	15.0	1.0	3.0	0.0	2.0	10.5
RUSSIAN	0.0	0.0	0.0	0.0	0.0	0.0	0.0	0.0	0.0	0.0	0.0
SAFETY EDUCATION	7.0	6.0	0.0	0.0	0.0	0.5	0.0	0.0	0.0	0.0	0.5
SCHOOL LIBRARY/MEDIA	19.5	11.5	1.5	1.0	0.0	3.0	0.0	0.0	0.5	0.0	2.0
SOCIAL STUDIES	75.0	36.5	0.0	2.5	0.0	18.0	5.0	2.0	0.0	1.0	10.0
SPANISH	19.0	6.0	0.0	0.0	1.0	4.5	3.0	1.0	0.0	0.0	3.5
<b>GENERAL EDUCATION TOTALS</b>	<b>1005.5</b>	<b>565.0</b>	<b>9.0</b>	<b>26.0</b>	<b>9.5</b>	<b>134.0</b>	<b>69.5</b>	<b>27.5</b>	<b>1.5</b>	<b>16.0</b>	<b>147.5</b>
<b>SPECIAL EDUCATION</b>											
BEHAVIOR DISORDERS	3.5	0.0	1.5	0.0	1.0	1.0	0.0	0.0	0.0	0.0	0.0
GIFTED	12.0	4.0	0.0	0.0	0.0	4.0	1.0	0.0	0.0	0.0	3.0
HEARING IMPAIRED	4.0	0.0	0.0	0.0	0.0	3.0	0.0	0.0	0.0	0.0	1.0
MENTALLY IMPAIRED	12.0	4.0	0.5	1.5	0.0	2.0	0.0	0.0	0.0	0.0	4.0
MULTI-CATEGORICAL	108.5	26.0	0.0	2.0	1.0	35.0	14.0	4.0	1.0	3.0	22.5
PHYSICALLY HANDICAPPED	0.0	0.0	0.0	0.0	0.0	0.0	0.0	0.0	0.0	0.0	0.0
PRESCHOOL SPECIAL NEEDS	16.0	3.0	0.0	0.0	0.0	7.0	1.0	0.0	0.0	1.0	4.0
SEVERELY/PROFOUNDLY IMPAIRED	6.0	3.0	0.0	0.0	0.0	2.0	0.0	0.0	0.0	0.0	1.0
SPECIFIC LEARNING DISABILITIES	6.5	1.0	0.5	0.0	0.0	4.0	1.0	0.0	0.0	0.0	0.0
VISUALLY IMPAIRED	6.0	0.0	0.0	0.0	0.0	5.0	1.0	0.0	0.0	0.0	0.0
AUTISM	12.0	3.5	0.0	0.0	0.0	1.0	3.0	0.0	0.0	0.0	4.5
<b>SPECIAL EDUCATION TOTALS</b>	<b>186.5</b>	<b>44.5</b>	<b>2.5</b>	<b>3.5</b>	<b>2.0</b>	<b>64.0</b>	<b>21.0</b>	<b>4.0</b>	<b>1.0</b>	<b>4.0</b>	<b>40.0</b>
<b>ADMINISTRATIVE/SUPPORT</b>											
ATHLETIC TRAINER	3.0	0.0	0.0	0.0	0.0	1.0	1.0	0.0	0.0	0.0	1.0
COUNSELOR	52.5	30.5	0.0	0.0	2.0	10.0	1.0	1.0	0.0	2.0	6.0
EDUCATIONAL AUDIOLOGIST	0.0	0.0	0.0	0.0	0.0	0.0	0.0	0.0	0.0	0.0	0.0
PRINCIPAL	86.0	48.0	2.0	0.0	3.0	17.0	3.0	0.0	0.0	1.0	12.0
SCHOOL BUSINESS OFFICIAL	2.0	1.0	0.0	0.0	0.0	1.0	0.0	0.0	0.0	0.0	0.0
SCHOOL NURSE	15.0	5.0	0.0	0.0	0.0	1.0	0.0	5.0	0.0	0.0	4.0
SCHOOL PSYCHOLOGIST	4.0	2.0	0.0	0.0	0.0	0.0	1.0	1.0	0.0	0.0	0.0
SOCIAL SERVICE & ATTENDANCE	3.0	2.0	0.0	1.0	0.0	0.0	0.0	0.0	0.0	0.0	0.0
SPEECH LANGUAGE PATHOLOGIST	27.5	12.0	1.0	0.0	0.0	5.0	3.0	1.0	0.0	0.0	5.5
SUPERINTENDENT	4.0	3.0	0.0	0.0	0.0	1.0	0.0	0.0	0.0	0.0	0.0
SUPERVISOR OF INSTRUCTION	12.0	9.0	0.0	0.0	0.0	3.0	0.0	0.0	0.0	0.0	0.0
VOCATIONAL ADMINISTRATION	2.0	1.0	0.0	0.0	0.0	0.0	1.0	0.0	0.0	0.0	0.0
<b>ADMIN/SUPPORT TOTALS</b>	<b>211.0</b>	<b>113.5</b>	<b>3.0</b>	<b>1.0</b>	<b>5.0</b>	<b>39.0</b>	<b>10.0</b>	<b>8.0</b>	<b>0.0</b>	<b>3.0</b>	<b>28.5</b>
<b>VOCATIONAL EDUCATION</b>											
AGRICULTURE	7.0	3.0	0.0	1.0	1.0	2.0	0.0	0.0	0.0	0.0	0.0
BUSINESS EDUCATION	27.5	15.0	0.0	1.0	0.0	7.5	1.0	0.0	0.0	2.0	1.0
FAMILY & CONSUMER SCIENCE	11.0	7.0	0.0	0.0	0.0	2.0	0.0	0.0	0.0	0.0	2.0
MARKETING	2.5	0.5	1.0	0.0	0.0	1.0	0.0	0.0	0.0	0.0	0.0
TECHNOLOGY EDUCATION	15.0	9.0	1.0	0.0	0.0	2.0	0.0	2.0	0.0	0.0	1.0
<b>VOCATIONAL EDUCATION TOTALS</b>	<b>63.0</b>	<b>34.5</b>	<b>2.0</b>	<b>2.0</b>	<b>1.0</b>	<b>14.5</b>	<b>1.0</b>	<b>2.0</b>	<b>0.0</b>	<b>2.0</b>	<b>4.0</b>
<b>OTHER SPECIALIZATIONS</b>	<b>54.0</b>	<b>30.5</b>	<b>0.0</b>	<b>0.0</b>	<b>0.0</b>	<b>7.0</b>	<b>5.0</b>	<b>4.0</b>	<b>1.0</b>	<b>0.0</b>	<b>6.5</b>
<b>TOTALS</b>	<b>1520.0</b>	<b>788.0</b>	<b>16.5</b>	<b>32.5</b>	<b>17.5</b>	<b>258.5</b>	<b>106.5</b>	<b>45.5</b>	<b>3.5</b>	<b>25.0</b>	<b>226.5</b>

TABLE B5  
WEST VIRGINIA TREND DATA AS REPORTED BY COUNTIES RELATED TO THE  
EMPLOYMENT OF EDUCATORS ON LESS THAN A PROFESSIONAL LICENSE  
BETWEEN 2006-2009

PROFESSIONAL SPECIALIZATIONS	2005-2006			2007-2008			2008-2009		
	OUT OF FIELD AUTHORIZATION	PERMIT	PROFESSIONAL EDUCATORS ON PERMIT	OUT OF FIELD AUTHORIZATION	PERMIT	PROFESSIONAL EDUCATORS ON PERMIT	OUT OF FIELD AUTHORIZATION	PERMIT	PROFESSIONAL EDUCATORS ON PERMIT
<b>GENERAL EDUCATION</b>	(1)	(2)	(3)	(4)	(5)	(6)	(7)	(8)	(9)
ALTERNATIVE EDUCATION	2.0	0.0	2.0	0.0	2.0	2.0	1.0	0.0	3.5
ART	4.0	2.0	1.0	1.5	0.0	2.0	0.0	4.5	0.0
BIOLOGY	1.0	1.0	0.0	0.0	2.0	1.0	2.0	3.0	0.0
CHEMISTRY	1.0	1.0	1.0	0.5	2.0	1.5	1.0	5.5	0.0
EARLY EDUCATION	0.0	2.0	0.0	4.0	0.0	2.0	4.5	3.0	2.0
ELEMENTARY EDUCATION	1.0	1.0	3.5	0.0	3.0	0.0	0.0	4.0	0.0
ENGLISH/LANGUAGE ARTS	8.0	5.0	8.0	4.0	11.5	6.5	4.5	17.0	0.0
FRENCH	0.0	0.0	0.5	0.0	0.0	0.0	0.0	0.0	0.0
GENERAL SCIENCE	8.5	8.0	4.0	1.5	14.0	2.5	4.0	17.5	0.0
GERMAN	0.0	0.0	2.0	0.0	0.0	0.0	0.0	0.0	0.0
HEALTH	2.1	4.0	3.0	2.3	2.8	2.8	2.0	4.0	2.0
JOURNALISM	0.0	0.0	0.0	0.0	0.0	0.0	0.0	0.0	0.0
LATIN	0.0	0.0	0.0	0.0	1.0	0.0	0.0	0.0	0.0
MATHEMATICS	8.0	8.0	1.5	4.0	13.0	4.0	6.0	21.0	1.0
MUSIC	2.0	1.5	0.0	0.0	2.0	0.0	0.0	2.5	0.0
ORAL COMMUNICATIONS	0.0	0.0	0.5	0.0	0.0	0.0	0.0	0.0	0.0
PHYSICAL EDUCATION	0.0	2.0	1.0	4.1	2.3	0.0	1.0	0.0	1.0
PHYSICS	0.0	0.0	2.0	0.0	2.5	0.0	0.0	1.0	0.0
READING SPECIALIST	27.0	9.0	9.5	21.0	14.0	16.0	33.5	35.5	21.5
RUSSIAN	0.0	0.0	0.0	0.0	0.0	0.0	0.0	0.0	0.0
SAFETY EDUCATION	2.0	0.5	0.0	0.0	0.5	0.0	0.5	0.5	0.0
SCHOOL LIBRARY/MEDIA	3.5	0.5	1.5	6.5	1.0	3.0	5.5	7.5	7.0
SOCIAL STUDIES	0.0	0.0	0.5	2.5	2.0	2.8	0.5	3.0	0.0
SPANISH	4.0	8.5	1.0	3.0	7.0	2.0	1.0	9.0	2.0
<b>GENERAL EDUCATION TOTALS</b>	<b>74.1</b>	<b>54.0</b>	<b>42.5</b>	<b>54.8</b>	<b>82.5</b>	<b>48.1</b>	<b>67.0</b>	<b>138.5</b>	<b>40.0</b>
<b>SPECIAL EDUCATION</b>									
BEHAVIOR DISORDERS	0.0	3.0	2.0	8.3	7.0	3.0	2.0	3.0	0.0
GIFTED	1.0	1.0	7.5	11.0	4.0	4.0	14.5	7.5	8.0
HEARING IMPAIRED	0.0	0.0	0.5	2.0	0.0	0.0	2.0	3.0	1.0
MENTALLY IMPAIRED	0.0	3.0	4.0	6.8	6.0	2.0	3.0	3.0	0.0
MULTI-CATEGORICAL	13.5	44.5	56.0	48.5	53.5	46.5	42.5	110.5	40.5
PHYSICALLY HANDICAPPED	0.0	0.0	0.0	0.0	0.0	0.0	0.0	0.0	0.0
PRESCHOOL SPECIAL NEEDS	0.0	1.0	3.0	7.0	0.0	5.0	21.0	14.0	10.0
SEVERELY/PROFOUNDLY IMPAIRED	0.0	1.0	2.5	4.5	0.0	5.0	4.5	8.0	5.5
SPECIFIC LEARNING DISABILITIES	0.0	6.0	0.0	4.8	11.0	3.0	6.0	5.5	0.0
VISUALLY IMPAIRED	0.0	0.0	1.0	2.0	1.5	1.0	2.5	3.5	1.0
AUTISM							12.0	18.0	3.0
<b>SPECIAL EDUCATION TOTALS</b>	<b>14.5</b>	<b>59.5</b>	<b>76.5</b>	<b>95.0</b>	<b>83.0</b>	<b>69.5</b>	<b>110.0</b>	<b>176.0</b>	<b>69.0</b>
<b>ADMINISTRATIVE/SUPPORT</b>									
ATHLETIC TRAINER	8.0	6.0	1.0	0.0	3.0	0.0	0.0	5.0	0.0
COUNSELOR	0.0	3.0	1.0	2.0	7.0	0.0	2.0	18.0	0.0
EDUCATIONAL AUDIOLOGIST	0.0	0.0	0.0	0.0	0.0	0.0	0.0	0.0	0.0
PRINCIPAL	0.0	0.0	1.5	0.0	0.0	1.0	0.0	2.0	1.0
SCHOOL BUSINESS OFFICIAL	0.0	0.0	0.0	0.0	0.0	0.0	0.0	0.0	0.0
SCHOOL NURSE	0.0	18.0	1.0	0.0	12.0	0.0	0.0	15.0	0.0
SCHOOL PSYCHOLOGIST	0.0	1.0	0.0	0.0	0.0	0.0	0.0	0.0	0.0
SOCIAL SERVICE & ATTENDANCE	0.0	1.0	2.0	0.0	2.0	0.0	0.0	2.0	0.0
SPEECH LANGUAGE PATHOLOGIST	2.0	0.0	0.0	1.0	2.0	0.0	0.0	2.5	0.0
SUPERINTENDENT	0.0	0.0	0.0	0.0	0.0	0.0	0.0	1.0	0.0
SUPERVISOR OF INSTRUCTION	0.0	0.0	0.0	0.0	1.0	1.0	0.0	0.0	0.0
VOCATIONAL ADMINISTRATION	0.0	0.0	0.0	0.0	1.0	1.0	0.0	0.5	0.0
<b>ADMIN/SUPPORT TOTALS</b>	<b>10.0</b>	<b>29.0</b>	<b>6.5</b>	<b>3.0</b>	<b>28.0</b>	<b>3.0</b>	<b>2.0</b>	<b>46.0</b>	<b>1.0</b>
<b>VOCATIONAL EDUCATION</b>									
AGRICULTURE	0.0	0.5	0.0	0.0	0.0	0.0	0.0	3.0	2.0
BUSINESS EDUCATION	0.0	5.0	1.0	0.0	2.0	0.0	1.0	2.5	1.0
FAMILY & CONSUMER SCIENCE	0.0	1.0	1.0	3.0	1.0	0.0	2.5	2.5	1.0
MARKETING	0.0	0.5	0.0	0.0	0.5	0.0	0.0	2.0	1.0
TECHNOLOGY EDUCATION	0.0	5.0	0.5	2.0	8.5	0.0	0.0	3.5	4.0
<b>VOCATIONAL EDUCATION TOTALS</b>	<b>0.0</b>	<b>12.0</b>	<b>2.5</b>	<b>5.0</b>	<b>12.0</b>	<b>0.0</b>	<b>3.5</b>	<b>13.5</b>	<b>9.0</b>
<b>OTHER SPECIALIZATIONS</b>	<b>0.0</b>	<b>9.5</b>	<b>1.5</b>	<b>4.1</b>	<b>16.0</b>	<b>3.0</b>	<b>3.5</b>	<b>11.0</b>	<b>8.0</b>
<b>TOTALS</b>	<b>98.6</b>	<b>164.0</b>	<b>129.5</b>	<b>161.9</b>	<b>221.5</b>	<b>123.6</b>	<b>186.0</b>	<b>385.0</b>	<b>127.0</b>



TABLE B6  
 WEST VIRGINIA TREND DATA FOR TOTAL POSITIONS POSTED  
 TOTAL NON-RETURNING EDUCATORS  
 TERMINATED DUE TO A REDUCTION IN FORCE  
 BETWEEN 2006-2009

PROFESSIONAL SPECIALIZATIONS	2006-2007			2007-2008			2008-2009		
	TOTAL POSITIONS POSTED	TOTAL NON-RETURNING EDUCATORS	TERMINATED DUE TO A REDUCTION IN FORCE	TOTAL POSITIONS POSTED	TOTAL NON-RETURNING EDUCATORS	TERMINATED DUE TO A REDUCTION IN FORCE	TOTAL POSITIONS POSTED	TOTAL NON-RETURNING EDUCATORS	TERMINATED DUE TO A REDUCTION IN FORCE
	(1)	(2)	(3)	(4)	(5)	(6)	(7)	(8)	(9)
<b>GENERAL EDUCATION</b>									
ALTERNATIVE EDUCATION	26.5	6.0	0.0	28.0	8.0	1.0	28.5	15.0	1.0
ART	65.8	29.0	0.0	66.5	28.5	0.0	71.5	31.5	0.0
BIOLOGY	19.5	13.0	0.0	26.0	13.0	1.0	35.5	20.0	0.0
CHEMISTRY	27.5	14.5	0.0	18.0	7.5	0.0	30.0	20.0	1.0
EARLY EDUCATION	145.5	38.0	2.0	140.5	46.7	0.0	181.5	38.5	2.0
ELEMENTARY EDUCATION	911.8	352.5	29.0	1028.0	390.2	52.0	1189.5	362.5	7.0
ENGLISH/LANGUAGE ARTS	201.0	90.5	0.5	253.0	148.5	5.0	281.0	117.5	2.5
FRENCH	6.0	4.0	0.0	8.5	7.0	0.0	9.5	6.0	0.0
GENERAL SCIENCE	147.8	65.5	1.0	128.5	54.0	0.0	125.0	44.5	1.0
GERMAN	2.0	1.0	0.0	1.0	0.0	0.0	1.0	1.0	0.0
HEALTH	57.2	22.3	0.0	48.9	20.3	0.0	46.5	18.5	1.0
JOURNALISM	2.0	0.0	0.0	0.5	1.0	0.0	2.5	0.0	0.0
LATIN	1.0	2.0	0.0	1.0	1.0	0.0	0.0	0.0	0.0
MATHEMATICS	217.3	78.4	1.0	213.5	71.5	1.0	229.0	80.0	1.5
MUSIC	71.8	34.0	0.0	98.5	60.0	1.0	106.0	34.0	2.0
ORAL COMMUNICATIONS	3.5	3.0	0.0	2.0	0.0	0.0	8.0	2.0	0.0
PHYSICAL EDUCATION	133.2	51.3	0.0	121.9	52.2	0.0	107.5	32.0	0.5
PHYSICS	10.5	5.0	0.0	8.5	5.5	0.0	10.0	1.5	0.0
READING SPECIALIST	205.5	57.0	3.0	208.5	58.5	0.0	243.5	60.5	3.0
RUSSIAN	1.0	2.0	0.0	0.0	0.0	0.0	0.0	0.0	0.0
SAFETY EDUCATION	9.8	7.0	0.0	15.8	9.8	1.0	12.5	7.0	0.0
SCHOOL LIBRARY/MEDIA	37.0	21.5	1.5	36.5	24.5	0.0	40.5	19.5	1.0
SOCIAL STUDIES	125.1	68.5	1.0	168.6	72.4	2.5	153.0	75.0	2.5
SPANISH	54.5	30.5	1.0	64.5	20.5	0.0	57.5	19.0	0.0
<b>GENERAL EDUCATION TOTALS</b>	<b>2482.5</b>	<b>996.5</b>	<b>40.0</b>	<b>2686.8</b>	<b>1100.6</b>	<b>64.5</b>	<b>2969.5</b>	<b>1005.5</b>	<b>26.0</b>
<b>SPECIAL EDUCATION</b>									
BEHAVIOR DISORDERS	46.5	10.5	0.0	54.3	12.3	0.0	47.0	3.5	0.0
GIFTED	37.5	15.0	0.0	41.0	9.0	0.0	45.5	12.0	0.0
HEARING IMPAIRED	7.8	1.0	0.0	9.2	1.0	0.0	13.5	4.0	0.0
MENTALLY IMPAIRED	50.5	14.0	0.0	57.3	13.3	0.0	39.5	12.0	1.5
MULTI-CATEGORICAL	398.5	84.0	7.0	387.0	84.5	8.5	432.0	108.5	2.0
PHYSICALLY HANDICAPPED	0.0	0.0	0.0	0.0	0.0	0.0	1.0	0.0	0.0
PRESCHOOL SPECIAL NEEDS	50.0	11.0	0.0	75.8	14.5	0.0	88.0	16.0	0.0
SEVERELY/PROFOUNDLY IMPAIRED	24.0	7.0	0.0	22.5	12.0	0.0	33.5	6.0	0.0
SPECIFIC LEARNING DISABILITIES	52.0	13.5	0.0	45.8	14.4	0.0	47.5	6.5	0.0
VISUALLY IMPAIRED	4.5	1.0	0.0	9.0	3.0	0.0	15.0	6.0	0.0
AUTISM							66.0	12.0	0.0
<b>SPECIAL EDUCATION TOTALS</b>	<b>671.3</b>	<b>157.0</b>	<b>7.0</b>	<b>701.9</b>	<b>164.0</b>	<b>8.5</b>	<b>828.5</b>	<b>186.5</b>	<b>3.5</b>
<b>ADMINISTRATIVE/SUPPORT</b>									
ATHLETIC TRAINER	31.0	3.0	0.0	27.0	9.0	0.0	28.0	3.0	0.0
COUNSELOR	83.5	37.0	2.0	102.0	48.0	1.0	137.0	52.5	0.0
EDUCATIONAL AUDIOLOGIST	0.0	0.0	0.0	0.2	0.0	0.0	0.0	0.0	0.0
PRINCIPAL	181.0	80.0	0.0	180.0	95.0	0.0	180.5	86.0	0.0
SCHOOL BUSINESS OFFICIAL	3.5	1.0	0.0	9.0	6.0	0.0	4.0	2.0	0.0
SCHOOL NURSE	44.0	14.5	0.0	23.5	9.0	0.0	27.5	15.0	0.0
SCHOOL PSYCHOLOGIST	14.0	11.0	0.0	8.0	7.0	0.0	9.0	4.0	0.0
SOCIAL SERVICE & ATTENDANCE	6.0	3.5	0.0	14.5	6.0	0.0	6.0	3.0	1.0
SPEECH LANGUAGE PATHOLOGIST	66.3	30.5	0.0	61.2	26.5	0.0	73.5	27.5	0.0
SUPERINTENDENT	8.0	7.0	0.0	12.0	12.0	0.0	8.0	4.0	0.0
SUPERVISOR OF INSTRUCTION	33.5	17.5	0.0	33.0	22.0	0.0	36.0	12.0	0.0
VOCATIONAL ADMINISTRATION	12.0	9.5	1.0	4.0	2.0	0.0	1.5	2.0	0.0
<b>ADMIN/SUPPORT TOTALS</b>	<b>482.8</b>	<b>214.5</b>	<b>3.0</b>	<b>474.3</b>	<b>242.5</b>	<b>1.0</b>	<b>511.0</b>	<b>211.0</b>	<b>1.0</b>
<b>VOCATIONAL EDUCATION</b>									
AGRICULTURE	13.5	10.0	0.0	10.0	6.0	0.0	14.0	7.0	1.0
BUSINESS EDUCATION	38.5	20.0	2.5	31.5	19.0	1.0	39.5	27.5	1.0
FAMILY & CONSUMER SCIENCE	24.0	19.0	0.0	24.5	17.0	0.5	29.0	11.0	0.0
MARKETING	0.5	0.0	0.0	0.5	0.5	0.0	2.5	2.5	0.0
TECHNOLOGY EDUCATION	33.5	20.0	1.0	37.5	16.5	0.0	34.0	15.0	0.0
<b>VOCATIONAL EDUCATION TOTALS</b>	<b>110.0</b>	<b>69.0</b>	<b>3.5</b>	<b>104.0</b>	<b>59.0</b>	<b>1.5</b>	<b>119.0</b>	<b>63.0</b>	<b>2.0</b>
<b>OTHER SPECIALIZATIONS</b>	<b>122.0</b>	<b>46.0</b>	<b>0.0</b>	<b>107.1</b>	<b>38.0</b>	<b>0.0</b>	<b>165.5</b>	<b>54.0</b>	<b>0.0</b>
<b>TOTALS</b>	<b>3868.5</b>	<b>1483.0</b>	<b>53.5</b>	<b>4074.1</b>	<b>1604.1</b>	<b>75.5</b>	<b>4593.5</b>	<b>1520.0</b>	<b>32.5</b>

**CLASSIFICATION OF SERVICE PERSONNEL  
BY ASSIGNMENT AND FUNDING SOURCE (FTE BASIS)\*  
AS OF SECOND SCHOOL MONTH  
(EXCLUDING RESA PERSONNEL)  
2008-09 YEAR**

Position Assignment	State Aid Eligible	Other State Funds	Federal Funds	County Funds	Other Sources	Total
Aide	2,219.84	6.68	418.84	5.00	-	2,650.36
Licensed Practical Nurse	50.80	-	10.20	1.00	-	62.00
Paraprofessional	290.40	1.87	87.50	1.00	-	380.77
Autism Mentor	252.05	1.25	81.45	-	-	334.75
Director or Coordinator of Services	109.18	-	4.25	-	-	113.43
Accountant	121.25	-	4.95	0.50	-	126.70
Auditor	23.62	-	1.00	-	-	24.62
Buyer	6.00	-	-	-	-	6.00
Braille/Sign Language Specialist	57.50	2.52	23.35	-	-	83.37
Clerk	81.93	1.00	4.65	0.25	-	87.83
Secretary	1,440.81	8.65	52.66	5.58	-	1,507.70
Switchboard Operator/Receptionist	6.48	-	-	-	-	6.48
Computer Operator	52.93	-	0.32	-	-	53.25
Programmer	25.63	-	-	-	-	25.63
Draftsman	2.00	-	-	-	-	2.00
Graphic Artist	2.00	-	-	-	-	2.00
Inventory Supervisor	10.48	-	-	-	-	10.48
Printing Operator	0.25	-	-	-	-	0.25
Printing Supervisor	1.50	-	-	-	-	1.50
Accounts Payable Supervisor	20.85	-	-	-	-	20.85
Payroll Supervisor	17.33	-	-	-	-	17.33
Supervisor of Maintenance	33.45	-	-	-	-	33.45
Audiovisual Technician	1.00	-	-	-	-	1.00
Cabinet Maker	24.72	-	-	-	-	24.72
Carpenter	70.08	1.00	-	-	-	71.08
Chief Mechanic	37.90	-	-	-	-	37.90
Crew Leader	17.50	-	-	-	-	17.50
Electrician	96.90	-	-	-	-	96.90
Electronic Technician	34.53	-	-	-	-	34.53
Foreman	49.82	-	-	-	-	49.82
General Maintenance	50.12	-	-	-	-	50.12
Glazier	3.58	-	-	-	-	3.58
Handyman	8.64	-	-	-	-	8.64
Heating & Air Conditioning Mechanic	65.93	-	-	-	-	65.93
Locksmith	16.31	-	-	-	-	16.31
Lubrication Man	0.50	-	-	-	-	0.50
Mason	29.25	-	-	-	-	29.25
Mechanic Assistant	4.00	-	-	-	-	4.00
Mechanic	194.70	-	-	-	-	194.70
Office Equipment Repairman	5.75	-	-	-	-	5.75
Painter	36.04	-	-	-	-	36.04
Plumber	85.80	-	-	-	-	85.80
Roofing/Sheet Metal Mechanic	9.29	-	-	-	-	9.29
Welder	9.62	-	-	-	-	9.62
Supervisor of Transportation	38.00	-	-	-	-	38.00
School Bus Supervisor	11.50	-	-	-	-	11.50
Bus Operator	2,846.05	-	8.50	0.50	-	2,855.05
Heavy Equipment Operator	14.80	-	-	-	-	14.80
Truck Driver	49.50	-	-	-	-	49.50
Food Services Supervisor	4.00	-	1.00	-	-	5.00
Cafeteria Manager	412.19	-	-	-	-	412.19
Cook	1,781.00	-	-	-	-	1,781.00
Custodian	2,204.66	1.16	0.30	2.00	-	2,208.12
Groundsman	4.21	-	-	-	-	4.21
Watchman	1.25	-	-	-	-	1.25
Sanitation Plant Operator	20.63	-	-	-	-	20.63
<b>Total</b>	<b>13,066.05</b>	<b>24.13</b>	<b>698.97</b>	<b>15.83</b>	<b>-</b>	<b>13,804.98</b>

Note: Service personnel are presented on a regular FTE basis with full-time personnel employed beyond 200 days counted as 1.00, as opposed to an extended FTE basis where the FTE is determined by dividing each employee's number of days employed by 200 days.

OSF

01/08/09

Classification Report 09

**DISTRIBUTION OF SERVICE PERSONNEL (FTE BASIS)  
BY PAY GRADE AND YEARS OF EXPERIENCE  
ALL FUNDING SOURCES - ALL DISTRICTS  
2008-09 YEAR**

Years Exp.	PAY GRADE										Total
	A	B	C	D	E	F	G	H			
0	34,000	57,000	121,000	116,500	61,500	58,500	25,500	5,000			479,000
1	62,000	59,000	149,400	206,200	83,500	70,400	49,000	14,000			693,500
2	60,000	73,500	143,000	250,080	97,500	74,420	38,000	8,000			744,500
3	68,000	80,000	136,000	241,500	66,000	62,000	38,000	7,500			699,000
4	46,000	66,000	135,000	212,500	84,500	55,000	39,100	11,900			650,000
5	25,000	82,000	110,500	208,000	77,000	57,000	39,000	6,000			604,500
6	24,000	68,000	115,500	214,500	70,000	53,500	49,000	13,000			607,500
7	20,000	81,000	101,500	203,000	71,800	56,000	45,170	10,000			588,470
8	12,000	80,500	119,000	176,500	66,500	81,000	57,500	9,000			602,000
9	15,000	84,000	108,000	178,000	41,000	72,500	53,000	10,000			561,500
10	9,000	74,500	94,500	192,500	51,000	71,000	36,000	9,000			537,500
11	4,000	62,500	90,900	194,000	46,000	87,300	47,300	10,000			542,000
12	8,000	42,500	94,000	162,000	54,000	65,000	48,500	9,000			483,000
13	5,500	46,500	96,500	154,500	46,000	48,500	47,500	14,000			459,000
14	4,500	37,000	84,000	150,000	40,000	50,000	37,000	19,000			421,500
15	4,500	39,000	64,000	143,000	24,000	41,000	34,000	9,000			358,500
16	2,500	32,000	55,000	102,000	26,500	36,500	32,000	4,500			291,000
17	2,000	21,500	51,000	91,250	22,000	25,500	17,090	9,000			239,340
18	5,000	20,000	56,000	113,000	26,500	32,500	34,500	2,500			290,000
19	1,500	26,000	60,000	154,010	35,000	68,300	35,000	16,000			395,810
20	4,000	31,500	68,500	130,000	20,000	49,000	35,000	11,000			349,000
21	2,500	13,000	56,000	122,333	32,000	48,833	36,333	5,000			316,500
22	-	11,000	58,000	112,750	26,000	41,000	46,750	10,000			305,500
23	3,000	20,500	32,000	85,500	32,000	39,000	27,500	8,500			248,000
24	3,000	9,000	44,500	100,000	17,000	38,000	28,000	8,000			247,500
25	2,000	6,000	39,500	85,000	20,000	21,500	31,000	10,000			215,000
26	3,000	5,500	24,340	63,000	23,000	38,830	17,080	6,000			180,750
27	2,000	5,750	22,250	74,500	24,000	35,000	33,000	7,000			203,500
28	1,000	2,000	32,500	100,000	29,000	38,000	40,500	23,000			266,000
29	1,000	1,500	29,000	82,000	28,000	36,000	39,000	13,000			229,500
30	2,000	8,000	32,000	64,000	13,000	27,750	35,940	14,750			197,440
31	-	2,000	13,000	49,000	16,000	23,000	23,500	10,000			136,500
32	-	5,000	18,000	41,000	17,000	24,000	24,500	9,000			138,500
33	-	3,000	20,000	30,000	14,000	20,500	19,000	12,000			118,500
34	-	2,000	8,000	23,000	13,000	22,000	30,000	11,000			109,000
35	-	-	7,000	23,500	15,000	14,500	16,170	9,000			85,170
36	-	2,000	6,000	15,000	9,000	12,000	11,000	6,000			61,000
37	0.500	1,000	1,000	12,000	10,000	14,500	9,000	8,000			56,000
38	-	-	3,000	5,000	3,000	8,000	11,000	3,000			33,000
39	-	-	1,000	2,000	3,000	2,000	6,000	1,000			15,000
40+	-	-	1,000	6,000	5,000	15,000	9,000	6,000			42,000
<b>Total</b>	<b>436,500</b>	<b>1,261,750</b>	<b>2,501,390</b>	<b>4,688,623</b>	<b>1,459,300</b>	<b>1,734,333</b>	<b>1,331,432</b>	<b>387,650</b>			<b>13,800,979</b>

Note: Service personnel are presented on a regular FTE basis with full-time personnel employed beyond 200 days counted as 1.00, as opposed to an extended FTE basis where the FTE is determined by dividing each employee's number of days employed by 200 days.

**COUNTY BOARDS OF EDUCATION  
AVERAGE CONTRACTED SALARIES - SERVICE PERSONNEL  
(EXCLUDING RESA PERSONNEL)  
2008-09 YEAR**

County	FTE	Average Salary
Barbour	119.500	\$ 24,044.47
Berkeley	849.300	25,549.82
Boone	232.000	27,391.21
Braxton	119.500	24,332.39
Brooke	163.000	26,865.70
Cabell	551.000	26,739.14
Calhoun	56.000	26,574.49
Clay	111.500	23,995.45
Doddridge	71.000	24,484.96
Fayette	340.000	25,441.81
Gilmer	48.500	24,512.48
Grant	98.500	23,992.69
Greenbrier	311.500	24,067.42
Hampshire	187.500	23,610.38
Hancock	196.500	26,297.76
Hardy	109.000	23,140.67
Harrison	524.000	26,370.28
Jackson	239.500	28,052.54
Jefferson	438.000	24,984.46
Kanawha	1,331.500	27,008.09
Lewis	147.500	24,936.13
Lincoln	184.000	25,022.09
Logan	319.500	25,773.47
Marion	418.000	25,207.56
Marshall	270.000	25,350.53
Mason	224.500	25,484.70
McDowell	217.500	25,994.73
Mercer	436.500	24,894.48
Mineral	234.500	26,679.37
Mingo	244.900	25,476.84
Monongalia	490.500	26,255.08
Monroe	117.910	23,652.56
Morgan	123.750	25,967.12
Nicholas	225.500	23,759.54
Ohio	238.500	28,391.07
Pendleton	64.000	25,329.42
Pleasants	80.000	28,084.82
Pocahontas	74.000	26,484.70
Preston	220.500	24,051.39
Putnam	414.000	27,138.60
Raleigh	525.500	25,384.50
Randolph	205.000	24,140.93
Ritchie	91.500	25,093.81
Roane	127.500	24,298.27
Summers	80.000	23,888.36
Taylor	121.000	24,830.43
Tucker	58.000	25,249.21
Tyler	79.500	25,051.37
Upshur	186.500	24,048.64
Wayne	394.000	23,487.56
Webster	80.000	24,188.07
Wetzel	147.000	26,229.83
Wirt	47.000	24,378.53
Wood	609.120	28,246.66
Wyoming	210.500	24,711.20
<b>Total</b>	<b>13,804.979</b>	<b>\$ 25,733.86</b>

OSF3

03/13/09

Avg Contracted Salary SP - All positions 09

**SERVICE PERSONNEL STATE MINIMUM MONTHLY PAY SCALE  
STATE BASIC PAY SCALE WITHOUT EQUITY  
FOR THE 2008-09 YEAR**

Years Exp.	PAY GRADE							
	A	B	C	D	E	F	G	H
0	1,577	1,598	1,639	1,691	1,743	1,805	1,836	1,908
1	1,609	1,630	1,671	1,723	1,775	1,837	1,868	1,940
2	1,641	1,662	1,703	1,755	1,807	1,869	1,900	1,972
3	1,673	1,694	1,735	1,787	1,839	1,901	1,932	2,004
4	1,705	1,726	1,767	1,819	1,871	1,933	1,964	2,037
5	1,737	1,758	1,799	1,851	1,903	1,965	1,996	2,069
6	1,769	1,790	1,832	1,883	1,935	1,997	2,028	2,101
7	1,802	1,822	1,864	1,915	1,967	2,029	2,060	2,133
8	1,834	1,854	1,896	1,947	1,999	2,061	2,092	2,165
9	1,866	1,886	1,928	1,980	2,031	2,093	2,124	2,197
10	1,898	1,919	1,960	2,012	2,063	2,126	2,157	2,229
11	1,930	1,951	1,992	2,044	2,095	2,158	2,189	2,261
12	1,962	1,983	2,024	2,076	2,128	2,190	2,221	2,293
13	1,994	2,015	2,056	2,108	2,160	2,222	2,253	2,325
14	2,026	2,047	2,088	2,140	2,192	2,254	2,285	2,357
15	2,058	2,079	2,120	2,172	2,224	2,286	2,317	2,389
16	2,090	2,111	2,152	2,204	2,256	2,318	2,349	2,422
17	2,122	2,143	2,185	2,236	2,288	2,350	2,381	2,454
18	2,154	2,175	2,217	2,268	2,320	2,382	2,413	2,486
19	2,187	2,207	2,249	2,300	2,352	2,414	2,445	2,518
20	2,219	2,239	2,281	2,333	2,384	2,446	2,477	2,550
21	2,251	2,271	2,313	2,365	2,416	2,478	2,509	2,582
22	2,283	2,304	2,345	2,397	2,448	2,511	2,542	2,614
23	2,315	2,336	2,377	2,429	2,481	2,543	2,574	2,646
24	2,347	2,368	2,409	2,461	2,513	2,575	2,606	2,678
25	2,379	2,400	2,441	2,493	2,545	2,607	2,638	2,710
26	2,411	2,432	2,473	2,525	2,577	2,639	2,670	2,742
27	2,443	2,464	2,505	2,557	2,609	2,671	2,702	2,774
28	2,475	2,496	2,537	2,589	2,641	2,703	2,734	2,807
29	2,507	2,528	2,570	2,621	2,673	2,735	2,766	2,839
30	2,540	2,560	2,602	2,653	2,705	2,767	2,798	2,871
31	2,572	2,592	2,634	2,685	2,737	2,799	2,830	2,903
32	2,604	2,624	2,666	2,718	2,769	2,831	2,862	2,935
33	2,636	2,656	2,698	2,750	2,801	2,863	2,895	2,967
34	2,668	2,689	2,730	2,782	2,833	2,896	2,927	2,999
35	2,700	2,721	2,762	2,814	2,866	2,928	2,959	3,031
36	2,732	2,753	2,794	2,846	2,898	2,960	2,991	3,063
37	2,764	2,785	2,826	2,878	2,930	2,992	3,023	3,095
38	2,796	2,817	2,858	2,910	2,962	3,024	3,055	3,127
39	2,828	2,849	2,890	2,942	2,994	3,056	3,087	3,159
40	2,860	2,881	2,922	2,974	3,026	3,088	3,119	3,192

Note: This schedule does not include the \$12/month supplemental pay for having a high school diploma or GED; the educational bonuses of: \$11/month for each of the following levels of college credit or comparable training in a trade or vocational school: 12, 24, 36, 48, 60, 72, 84, 96, 108, or 120 hours; \$40/month for an associate, bachelor's, master's, or doctorate degree; or \$11/month for each of the following: BA+15, MA+15, MA+30, MA+45, or MA+60: or the \$10/month shift differential pay.

OSF  
03/10/08  
State Salary Schedules 09

**SERVICE PERSONNEL STATE MINIMUM MONTHLY PAY SCALE  
STATE EQUITY SUPPLEMENT PAY SCALE  
FOR THE 2008-09 YEAR**

Years Exp.	PAY GRADE							
	A	B	C	D	E	F	G	H
0	115	115	115	115	115	115	115	115
1	115	115	115	115	115	115	115	115
2	115	115	115	115	115	115	115	115
3	115	115	115	115	115	115	115	115
4	115	115	115	115	115	115	115	115
5	115	115	115	115	115	115	115	115
6	115	115	115	115	115	115	115	115
7	115	115	115	115	115	115	115	115
8	115	115	115	115	115	115	115	115
9	115	115	115	115	115	115	115	115
10	115	115	115	115	115	115	115	115
11	115	115	115	115	115	115	115	115
12	115	115	115	115	115	115	115	115
13	115	115	115	115	115	115	115	115
14	115	115	115	115	115	115	115	115
15	115	115	115	115	115	115	115	115
16	115	115	115	115	115	115	115	115
17	115	115	115	115	115	115	115	115
18	115	115	115	115	115	115	115	115
19	115	115	115	115	115	115	115	115
20	115	115	115	115	115	115	115	115
21	115	115	115	115	115	115	115	115
22	115	115	115	115	115	115	115	115
23	115	115	115	115	115	115	115	115
24	115	115	115	115	115	115	115	115
25	115	115	115	115	115	115	115	115
26	115	115	115	115	115	115	115	115
27	115	115	115	115	115	115	115	115
28	115	115	115	115	115	115	115	115
29	115	115	115	115	115	115	115	115
30	115	115	115	115	115	115	115	115
31	115	115	115	115	115	115	115	115
32	115	115	115	115	115	115	115	115
33	115	115	115	115	115	115	115	115
34	115	115	115	115	115	115	115	115
35	115	115	115	115	115	115	115	115
36	115	115	115	115	115	115	115	115
37	115	115	115	115	115	115	115	115
38	115	115	115	115	115	115	115	115
39	115	115	115	115	115	115	115	115
40	115	115	115	115	115	115	115	115

Note: This schedule does not include the \$12/month supplemental pay for having a high school diploma or GED; the educational bonuses of: \$11/month for each of the following levels of college credit or comparable training in a trade or vocational school: 12, 24, 36, 48, 60, 72, 84, 96, 108, or 120 hours; \$40/month for an associate, bachelor's, master's, or doctorate degree; or \$11/month for each of the following: BA+15, MA+15, MA+30, MA+45, or MA+60; or the \$10/month shift differential pay.

OSF  
03/10/08  
State Salary Schedules 09

**SERVICE PERSONNEL STATE MINIMUM MONTHLY PAY SCALE  
TOTAL MINIMUM REQUIRED PAY SCALE (BASIC PLUS EQUITY)  
FOR THE 2008-09 YEAR**

Years Exp.	PAY GRADE							
	A	B	C	D	E	F	G	H
0	1,692	1,713	1,754	1,806	1,858	1,920	1,951	2,023
1	1,724	1,745	1,786	1,838	1,890	1,952	1,983	2,055
2	1,756	1,777	1,818	1,870	1,922	1,984	2,015	2,087
3	1,788	1,809	1,850	1,902	1,954	2,016	2,047	2,119
4	1,820	1,841	1,882	1,934	1,986	2,048	2,079	2,152
5	1,852	1,873	1,914	1,966	2,018	2,080	2,111	2,184
6	1,884	1,905	1,947	1,998	2,050	2,112	2,143	2,216
7	1,917	1,937	1,979	2,030	2,082	2,144	2,175	2,248
8	1,949	1,969	2,011	2,062	2,114	2,176	2,207	2,280
9	1,981	2,001	2,043	2,095	2,146	2,208	2,239	2,312
10	2,013	2,034	2,075	2,127	2,178	2,241	2,272	2,344
11	2,045	2,066	2,107	2,159	2,210	2,273	2,304	2,376
12	2,077	2,098	2,139	2,191	2,243	2,305	2,336	2,408
13	2,109	2,130	2,171	2,223	2,275	2,337	2,368	2,440
14	2,141	2,162	2,203	2,255	2,307	2,369	2,400	2,472
15	2,173	2,194	2,235	2,287	2,339	2,401	2,432	2,504
16	2,205	2,226	2,267	2,319	2,371	2,433	2,464	2,537
17	2,237	2,258	2,300	2,351	2,403	2,465	2,496	2,569
18	2,269	2,290	2,332	2,383	2,435	2,497	2,528	2,601
19	2,302	2,322	2,364	2,415	2,467	2,529	2,560	2,633
20	2,334	2,354	2,396	2,448	2,499	2,561	2,592	2,665
21	2,366	2,386	2,428	2,480	2,531	2,593	2,624	2,697
22	2,398	2,419	2,460	2,512	2,563	2,626	2,657	2,729
23	2,430	2,451	2,492	2,544	2,596	2,658	2,689	2,761
24	2,462	2,483	2,524	2,576	2,628	2,690	2,721	2,793
25	2,494	2,515	2,556	2,608	2,660	2,722	2,753	2,825
26	2,526	2,547	2,588	2,640	2,692	2,754	2,785	2,857
27	2,558	2,579	2,620	2,672	2,724	2,786	2,817	2,889
28	2,590	2,611	2,652	2,704	2,756	2,818	2,849	2,922
29	2,622	2,643	2,685	2,736	2,788	2,850	2,881	2,954
30	2,655	2,675	2,717	2,768	2,820	2,882	2,913	2,986
31	2,687	2,707	2,749	2,800	2,852	2,914	2,945	3,018
32	2,719	2,739	2,781	2,833	2,884	2,946	2,977	3,050
33	2,751	2,771	2,813	2,865	2,916	2,978	3,010	3,082
34	2,783	2,804	2,845	2,897	2,948	3,011	3,042	3,114
35	2,815	2,836	2,877	2,929	2,981	3,043	3,074	3,146
36	2,847	2,868	2,909	2,961	3,013	3,075	3,106	3,178
37	2,879	2,900	2,941	2,993	3,045	3,107	3,138	3,210
38	2,911	2,932	2,973	3,025	3,077	3,139	3,170	3,242
39	2,943	2,964	3,005	3,057	3,109	3,171	3,202	3,274
40	2,975	2,996	3,037	3,089	3,141	3,203	3,234	3,307

Note: This schedule does not include the \$12/month supplemental pay for having a high school diploma or GED; the educational bonuses of: \$11/month for each of the following levels of college credit or comparable training in a trade or vocational school: 12, 24, 36, 48, 60, 72, 84, 96, 108, or 120 hours; \$40/month for an associate, bachelor's, master's, or doctorate degree; or \$11/month for each of the following: BA+15, MA+15, MA+30, MA+45, or MA+60; or the \$10/month shift differential pay.

OSF  
03/10/08  
State Salary Schedules 09

**SUMMARY OF INCREASES TO SERVICE PERSONNEL  
MONTHLY STATE BASIC PAY SCALE  
1975-76 THROUGH 2008-09**

	----- Pay Grade -----								Exp. Incr.
	A	B	C	D	E	F	G	H	
Basic salary - 1975-76	350	370	410	460	510	570	600	670	10
Basic salary increases:									
1976-77	100	100	100	100	100	100	100	100	-
1977-78 (a)	25	25	25	25	25	25	25	25	-
1978-79	35	35	35	35	35	35	35	35	-
1979-80	28	28	28	28	28	28	28	28	3
1980-81	80	80	80	80	80	80	80	80	-
1981-82 (b)	56	56	56	56	56	56	56	56	5
1982-83	-	-	-	-	-	-	-	-	-
1983-84	-	-	-	-	-	-	-	-	-
1984-85 (c)	44	44	44	44	44	44	44	44	2
1985-86 (d)	44	44	44	44	44	44	44	44	-
1986-87	60	60	60	60	60	60	60	60	-
1987-88	-	-	-	-	-	-	-	-	-
1988-89	-	-	-	-	-	-	-	-	-
1989-90 (e)	27	27	27	27	27	27	27	27	2
1990-91	84	84	84	84	84	84	84	84	-
1991-92	17	17	17	17	17	17	17	17	-
1992-93	-	-	-	-	-	-	-	-	-
1993-94	-	-	-	-	-	-	-	-	-
1994-95 (f)	60	60	60	60	60	60	60	60	3
1995-96	--	--	--	--	--	--	--	--	-
1996-97	30	30	30	30	30	30	30	30	1
1997-98	-	-	-	-	-	-	-	-	-
1998-99 (g)	60	60	60	60	60	60	60	60	1
1999-2000 (h)	60	60	60	60	60	60	60	60	1
2000-01 (i)	60	60	60	60	60	60	60	60	1
2001-02 (j)	75	75	75	75	75	75	75	75	1
2002-03 (k)	71	71	71	71	71	71	71	71	1
2003-04	-	-	-	-	-	-	-	-	-
2004-05	-	-	-	-	-	-	-	-	-
2005-06	90	90	90	90	90	90	90	90	-
2006-07	-	-	-	-	-	-	-	-	-
2007-08 (m)	51	52	53	55	57	59	60	62	1
2008-09	70	70	70	70	70	70	70	70	-
<b>Total increases</b>	<b>1,227</b>	<b>1,228</b>	<b>1,229</b>	<b>1,231</b>	<b>1,233</b>	<b>1,235</b>	<b>1,236</b>	<b>1,238</b>	<b>22</b>
<b>Basic salary 2008-09</b>	<b>1,577</b>	<b>1,598</b>	<b>1,639</b>	<b>1,691</b>	<b>1,743</b>	<b>1,805</b>	<b>1,836</b>	<b>1,908</b>	<b>32</b>
Annual experience increment:									
Years 1 - 40	32	32	32	32	32	32	32	32	(m)
Maximum years for increase	40	40	40	40	40	40	40	40	
Maximum incremental increase	1,280	1,283	1,283	1,283	1,283	1,283	1,283	1,284	
Basic salary with maximum experience increment 2008-09									
	2,860	2,881	2,922	2,974	3,026	3,088	3,119	3,192	

Notes:

- (a) Experience increment increase extended from 10 years to 13 years.
- (b) Experience increment increase extended from 13 years to 16 years.
- (c) Salary equity began in 1984-85; salaries shown do not include salary equity. Exp. Incr. extended from 16 years to 20 years.
- (d) Experience increment increase extended from 20 years to 25 years.
- (e) Experience increment increase extended from 25 years to 30 years. Additional \$10/month provided for a high school diploma or equivalent; increase in salary was provided in second half of year.
- (f) Additional \$10/month provided for 12 college hours or comparable training in a trade or vocational school and add'l \$10/month provided for working between 6pm and 5am, or which only \$5/month is funded by the State.
- (g) Experience increment increase extended from 30 years to 36 years.
- (h) Additional \$10/month pay for college or comparable training extended to 24, 36, and 48 hours.
- (i) Exp. increment increase extended from 36 to 40 years & add'l \$10/mo. pay for college or comparable trn. extended to 60 and 72 hrs.
- (j) In addition to the \$75/mo. increase in basic salaries, the experience increment was increased by \$1/mo, HS bonus increased to \$12/mo, and the \$10 educational bonuses were extended to 84, 96, 104, and 120 college hours or comparable training and to those with BA and MA degrees; all increases were made effective the 2nd quarter.
- (k) In addition to the \$71/month increase in basic salaries, educational bonuses were extended to include BA+15, MA+15, MA+30, MA+45, MA+60, and associate and doctorate degrees; bonuses for a college degree were increased to \$40/mo. for each degree level, and remaining bonuses were increased to \$11/mo.
- (l) Increase in basic salary made effective the first day of second quarter.
- (m) Basic salaries increased by 3.5% for the 2007-08 year, which also increased the experience increment by \$1.09 per month.



**SERVICE PERSONNEL JOB TITLES BY PAY GRADE  
FOR THE 2008-09 YEAR**

**Pay Grade A:**

501 Aide I  
675 Cook I  
681 Custodian I

**Pay Grade B:**

502 Aide II  
528 Clerk I  
533 WVEIS Data Entry & Admin. Clerk  
547 Key Punch Operator  
557 Printing Operator  
601 Handyman  
676 Cook II  
682 Custodian II  
686 Groundsman  
688 Watchman

**Pay Grade C:**

503 Aide III  
529 Clerk II  
531 Clerk - Maintenance  
532 Clerk - Warehouse  
574 Audiovisual Technician  
597 General Maintenance  
613 Lubrication Man  
677 Cook III  
683 Custodian III

**Pay Grade D:**

504 Aide IV  
522 Accountant I  
530 Clerk - Mail  
535 Secretary I  
541 Switchboard Operator/Recpt.  
549 Draftsman  
551 Graphic Artist  
555 Inventory Supervisor  
559 Printing Supervisor  
599 Glazier  
655 Bus Operator  
659 Truck Driver  
672 Cafeteria Manger  
684 Custodian IV

**Pay Grade E:**

523 Accountant II  
527 Braille or Sign Language Specialist  
536 Secretary II  
545 Computer Operator  
578 Carpenter I

**Pay Grade E (Continued):**

605 Heating & Air Cond. Mechanic I  
623 Mechanic Assistant  
635 Painter  
638 Plumber I  
652 School Bus Supervisor  
657 Heavy Equipment Operator

**Pay Grade F:**

511 Licensed Practical Nurse  
515 Paraprofessional  
519 Autism Mentor  
524 Accountant III  
526 Buyer  
537 Secretary III  
579 Carpenter II  
583 Crew Leader  
587 Electrician I  
591 Electronic Technician I  
617 Machinist  
625 Mechanic  
631 Office Equipment Repairman I  
641 Roofing/Sheet Metal Mechanic  
644 Welder

**Pay Grade G:**

525 Auditor  
538 Executive Secretary  
560 Accounts Payable Supervisor  
561 Payroll Supervisor  
576 Cabinet Maker  
581 Chief Mechanic  
588 Electrician II  
592 Electronic Technician II  
595 Foreman  
606 Heating & Air Cond. Mechanic II  
609 Locksmith  
619 Mason  
633 Office Equip. Repairman II  
639 Plumber II  
670 Food Services Supervisor  
690 Sanitation Plant Operator

**Pay Grade H:**

521 Director/Coordinator of Services  
546 Programmer  
570 Supervisor of Maintenance  
650 Supervisor of Transportation

Service Job Titles

# PROGRAMS

WEST VIRGINIA DEPARTMENT OF EDUCATION  
Charleston, West Virginia

OFFICE OF CHILD NUTRITION

The Department administers five United States Department of Agriculture (USDA) nutrition programs for children. They include the National School Lunch Program, School Breakfast Program, Child and Adult Care Food Program, Summer Food Service Program and the Special Milk Program. In West Virginia more than 84 million dollars assist program sponsors to provide healthful, low-cost or free meals and snacks to children and functionally impaired adults in a variety of settings, including public and private schools, child care centers, residential institutions, shelters, family day care homes, summer camps and parks. In addition to providing nutritious meals and snacks, child nutrition programs promote lifelong healthful eating practices by integrating nutrition education, creating healthy learning environments and promoting nutrition in the community.

Child nutrition programs are intended to serve the nutrition needs of all children, regardless of family income. Since the inception of the National School Lunch Act more than 60 years ago, Congress has affirmed the importance of sound nutrition to the health and welfare of children. Nutrition programs enhance learning and quality of life. Children who are well nourished achieve and perform better than those who are not.

The School Lunch Program provides lunches to students in all public schools, 21 private schools and 32 institutions. The School Breakfast Program provides breakfasts in 702 public and 10 private schools and 32 institutions. The Child and Adult Care Food Program is sponsored by 274 child care agencies and subsidizes meals and snacks in 541 centers and 1,436 homes. Nine agencies sponsor nutrition programs in adult day care. The Summer Food Service Program provides meals to children in 450 summer programs (93 sponsors). The Special Milk Program provides milk to children in 7 camps and 3 private schools.

Based on current records, West Virginia participants receive daily:

190,939	school lunches (57% free and reduced price)
86,413	school breakfasts (69% free and reduced price)
3,800	afterschool snacks
35,336	meals to children under child care (64% free and reduced price)
13,000	summer meals (100% free)
388	meals to functionally impaired adults
19,476	meals to children in family day care homes

The USDA Team Nutrition Training grants provide nutrition information to schools and child care institutions, and in-service training to food service and teaching personnel. During Fiscal Year 2008, these programs provided nutrition education experiences for 90 educators and in-service training for 900 food service personnel and developed nutrition resources for educators and families.

## Title I

Federally funded compensatory education programs in West Virginia operate under Public Law 107-110, known as the *No Child Left Behind Act of 2001* (NCLB). Title I is the largest single program of federal aid for elementary and secondary education. Therefore, Title I funding impacts the ability of districts to implement and accomplish the two missions of the United States Department of Education: enforcing equity and promoting excellence in education. The purpose of Title I is to ensure that all children have a fair, equal, and significant opportunity to obtain a high quality education and reach, at a minimum, proficiency on challenging State academic achievement standards and assessments.

The parts of Title I and the amount of funding allocated in 2007-2008 to various programs in the state are summarized in the chart below.

Title I			
Section of Title I	Purpose	Amount of Funding	Number of Districts/ Schools
Part A	Provide assistance students in high poverty schools	\$87,939,763.00	55 districts
Part A - school imp. 4% set aside from SEA allocation	Provide assistance to Title I schools identified for improvement	No money could be set aside due to all districts receiving a reduction in funding this year.	No districts received funding.
Part C – Migrant	Provide educational assistance to migratory children to reduce educational disruptions and problems associated with repeated moves	\$82,249.00	2 districts
Part D – Subpart 1 State agency programs for Neglected and Delinquent	Provide services and support to children in institutions for neglected and delinquent to assist these students in making a successful transition from institutionalization to further education or employment	\$548,255.00 non BOE centers	3 non BOE institutions receive services from this funding
Part D – Subpart 2 Local agency programs for Neglected and Delinquent	Provide support for the operation of local educational agency programs that involve collaboration with locally operated correctional facilities	\$392,567.00	4 districts

Description of Approved IASA Title I Expenditures in West Virginia  
For Instruction, By County, By Delivery Model 2008-2009

County	Schoolwide Programs	Targeted Assistance Schools	Other Programs	Total Instruction
Barbour	\$ 651,297.81	\$ -	\$ 196,390.16	\$ 847,687.97
Berkeley	\$ 1,661,188.50	\$ -	\$ 150,000.00	\$ 1,811,188.50
Boone	\$ 946,213.17	\$ -	\$ 208,222.56	\$ 1,154,435.73
Braxton	\$ 478,778.60	\$ -	\$ 81,134.60	\$ 559,913.20
Brooke	\$ 48,992.25	\$ -	\$ 69,341.12	\$ 118,333.37
Cabell	\$ 3,847,909.19	\$ -	\$ 1,515,075.97	\$ 5,362,985.16
Calhoun	\$ 294,258.78	\$ -	\$ 79,250.59	\$ 373,509.37
Clay	\$ 807,830.02	\$ -	\$ 25,000.00	\$ 832,830.02
Doddridge	\$ 201,004.60	\$ -	\$ 64,508.35	\$ 265,512.95
Fayette	\$ 2,543,440.00	\$ -	\$ 30,000.00	\$ 2,573,440.00
Gilmer	\$ 196,160.82	\$ -	\$ 116,585.90	\$ 312,746.72
Grant	\$ 433,683.27	\$ -	\$ 13,320.00	\$ 447,003.27
Greenbrier	\$ 1,059,037.89	\$ -	\$ 310,599.55	\$ 1,369,637.44
Hampshire	\$ 889,527.61	\$ -	\$ 112,000.00	\$ 1,001,527.61
Hancock	\$ 502,805.27	\$ -	\$ 131,749.64	\$ 634,554.91
Hardy	\$ 354,691.67	\$ -	\$ 3,000.00	\$ 357,691.67
Harrison	\$ 2,372,920.00	\$ -	\$ -	\$ 2,372,920.00
Jackson	\$ 1,155,057.16	\$ -	\$ -	\$ 1,155,057.16
Jefferson	\$ 688,231.33	\$ -	\$ -	\$ 688,231.33
Kanawha	\$ 3,810,799.59	\$ -	\$ 162,792.00	\$ 3,973,591.59
Lewis	\$ 611,017.96	\$ -	\$ 11,920.00	\$ 622,937.96
Lincoln	\$ 1,068,868.57	\$ -	\$ 548,962.03	\$ 1,617,830.60
Logan	\$ 1,611,924.97	\$ -	\$ 573,270.60	\$ 2,185,195.57
Marion	\$ 1,488,026.93	\$ -	\$ 1,157,846.76	\$ 2,645,873.69
Marshall	\$ 1,023,150.01	\$ -	\$ 16,860.00	\$ 1,040,010.01
Mason	\$ 1,011,953.00	\$ -	\$ 87,932.99	\$ 1,099,885.99
McDowell	\$ 1,435,832.52	\$ -	\$ -	\$ 1,435,832.52
Mercer	\$ 2,296,413.00	\$ -	\$ 1,744,526.00	\$ 4,040,939.00
Mineral	\$ 613,728.62	\$ 70,510.16	\$ 185,819.28	\$ 870,058.06
Mingo	\$ 1,502,585.49	\$ -	\$ 591,187.17	\$ 2,093,772.66
Monongalia	\$ 1,307,468.38	\$ -	\$ 239,641.00	\$ 1,547,109.38
Monroe	\$ 77,821.91	\$ -	\$ 68,772.49	\$ 146,594.40
Morgan	\$ 33,679.84	\$ -	\$ 12,024.72	\$ 45,704.56
Nicholas	\$ 699,756.26	\$ -	\$ 256,000.00	\$ 955,756.26
Ohio	\$ 1,471,239.59	\$ -	\$ 4,433.32	\$ 1,475,672.91
Pendleton	\$ 217,900.89	\$ -	\$ 5,700.00	\$ 223,600.89
Pleasants	\$ 186,031.92	\$ -	\$ 4,211.00	\$ 190,242.92
Pocahontas	\$ 321,875.81	\$ -	\$ 59,532.15	\$ 381,407.96
Preston	\$ 748,722.76	\$ -	\$ 143,243.24	\$ 891,966.00
Putnam	\$ 627,281.91	\$ -	\$ 357,636.09	\$ 984,918.00
Raleigh	\$ 2,728,722.73	\$ -	\$ 1,595,249.27	\$ 4,323,972.00
Randolph	\$ 1,066,402.07	\$ -	\$ 278,646.05	\$ 1,345,048.12
Ritchie	\$ 306,672.85	\$ -	\$ -	\$ 306,672.85
Roane	\$ 901,002.54	\$ -	\$ -	\$ 901,002.54
Summers	\$ 624,754.00	\$ -	\$ 141,568.51	\$ 766,322.51
Taylor	\$ 751,788.93	\$ -	\$ 70,442.91	\$ 822,231.84
Tucker	\$ 206,438.00	\$ -	\$ -	\$ 206,438.00
Tyler	\$ 344,990.00	\$ -	\$ 18,474.61	\$ 363,464.61
Upshur	\$ 918,364.12	\$ -	\$ 140,027.91	\$ 1,058,392.03
Wayne	\$ 1,523,082.62	\$ -	\$ 43,158.72	\$ 1,566,241.34
Webster	\$ 551,347.27	\$ -	\$ 320,931.22	\$ 872,278.49
Wetzel	\$ 582,703.97	\$ -	\$ 2,500.00	\$ 585,203.97
Wirt	\$ 156,846.74	\$ 104,281.18	\$ 6,000.00	\$ 267,127.92
Wood	\$ 2,648,829.79	\$ -	\$ 528,849.00	\$ 3,177,678.79
Wyoming	\$ 1,592,137.50	\$ -	\$ 273,129.50	\$ 1,865,267.00
Totals	\$ 56,203,191.00	\$ 174,791.34	\$ 12,757,466.98	\$ 69,135,449.32

County	Administrative Salaries	Professional/Service Salaries	Fixed Charges	Supplies	Equipment
Barbour	\$ 90,204.69	\$ 542,304.50	\$ 211,722.55	\$ 2,031.87	\$ -
Berkeley	\$ 175,150.00	\$ 957,653.90	\$ 508,684.41	\$ 58,069.92	\$ 8,291.56
Boone	\$ 103,305.16	\$ 678,871.33	\$ 78,348.00	\$ 67,958.36	\$ 27,051.98
Braxton	\$ 46,412.65	\$ 615,790.70	\$ 211,330.02	\$ 28,590.76	\$ -
Brooke	\$ 60,993.68	\$ 311,477.00	\$ 119,286.70	\$ 43,001.56	\$ 14,250.00
Cabell	\$ 152,726.00	\$ 1,605,158.66	\$ 856,546.00	\$ 225,876.92	\$ -
Calhoun	\$ 64,300.40	\$ 174,110.01	\$ 121,880.26	\$ 13,000.00	\$ -
Clay	\$ 80,803.44	\$ 509,624.90	\$ 191,866.34	\$ 66,662.82	\$ -
Doddridge	\$ 20,478.11	\$ 85,547.69	\$ 34,309.09	\$ -	\$ -
Fayette	\$ 145,976.00	\$ 1,519,295.58	\$ 550,081.70	\$ 85,299.09	\$ 9,699.97
Gilmer	\$ 44,515.20	\$ 247,465.49	\$ 64,724.31	\$ 4,000.00	\$ -
Grant	\$ 64,477.31	\$ 733,424.60	\$ 377,266.58	\$ 30,412.17	\$ 17,677.78
Greenbrier	\$ 112,627.41	\$ 958,692.30	\$ 346,133.73	\$ 18,561.47	\$ -
Hampshire	\$ 46,644.12	\$ 326,206.20	\$ 174,830.88	\$ 27,105.75	\$ 2,000.00
Hancock	\$ 77,010.20	\$ 399,398.80	\$ 153,360.00	\$ 2,005.86	\$ -
Hardy	\$ 42,000.00	\$ 263,669.00	\$ 72,767.24	\$ -	\$ -
Harrison	\$ 226,037.00	\$ 1,610,075.00	\$ 577,516.83	\$ 54,922.48	\$ 36,490.00
Jackson	\$ 83,615.48	\$ 800,230.40	\$ 289,902.80	\$ 4,396.13	\$ -
Jefferson	\$ 118,780.00	\$ 414,347.00	\$ 245,212.00	\$ 10,000.00	\$ -
Kanawha	\$ 190,500.00	\$ 5,524,576.00	\$ 1,626,165.00	\$ 71,577.69	\$ -
Lewis	\$ 158,500.00	\$ 429,574.00	\$ 169,523.00	\$ 44,524.93	\$ -
Lincoln	\$ 183,495.00	\$ 621,569.26	\$ 297,820.06	\$ 38,316.31	\$ -
Logan	\$ 139,500.00	\$ 947,117.85	\$ 504,508.18	\$ 200,747.53	\$ 151,958.73
Marion	\$ 77,000.00	\$ 26,000.00	\$ 30,647.70	\$ 17,294.55	\$ -
Marshall	\$ 65,281.00	\$ 619,386.50	\$ 251,010.66	\$ 24,108.68	\$ 1,404.83
Mason	\$ 89,410.61	\$ 497,636.15	\$ 241,958.80	\$ -	\$ 4,000.00
McDowell	\$ 209,522.88	\$ 1,344,864.12	\$ 776,412.81	\$ 63,897.27	\$ 97,309.86
Mercer	\$ 229,840.00	\$ 2,128,719.00	\$ 801,910.06	\$ 204,555.00	\$ 17,612.00
Mineral	\$ 47,786.00	\$ 683,895.00	\$ 252,454.60	\$ 7,212.96	\$ -
Mingo	\$ 130,000.00	\$ 1,148,399.00	\$ 397,704.79	\$ 30,366.44	\$ 48,341.45
Monongalia	\$ 120,262.00	\$ 1,492,700.10	\$ 477,749.27	\$ 6,041.87	\$ -
Monroe	\$ 38,835.50	\$ 257,485.58	\$ 117,999.37	\$ 1,505.65	\$ -
Morgan	\$ 8,255.00	\$ 261,466.00	\$ 86,658.26	\$ 18,449.85	\$ 3,000.00
Nicholas	\$ 73,000.00	\$ 772,348.00	\$ 279,292.00	\$ 20,473.25	\$ -
Ohio	\$ 75,000.00	\$ 1,018,041.20	\$ 289,332.11	\$ -	\$ -
Pendleton	\$ -	\$ 176,198.15	\$ 39,093.15	\$ 23,337.31	\$ 2,000.00
Pleasants	\$ -	\$ 119,419.24	\$ 29,407.06	\$ 4,530.00	\$ -
Pocahontas	\$ 22,171.16	\$ 178,727.29	\$ 78,088.10	\$ 12,000.00	\$ 8,491.50
Preston	\$ 95,000.00	\$ 471,543.94	\$ 172,457.83	\$ 13,034.05	\$ 3,500.00
Putnam	\$ 31,256.78	\$ 618,956.90	\$ 231,847.11	\$ 31,138.16	\$ -
Raleigh	\$ 241,331.00	\$ 2,477,718.17	\$ 706,952.78	\$ 100,151.56	\$ 80,218.00
Randolph	\$ 77,372.64	\$ 996,307.10	\$ 308,860.42	\$ 34,752.13	\$ 17,677.78
Ritchie	\$ 64,755.29	\$ 151,150.76	\$ 37,500.29	\$ 12,673.78	\$ 4,000.00
Roane	\$ 55,362.00	\$ 637,917.28	\$ 239,522.00	\$ 15,339.64	\$ -
Summers	\$ 34,369.80	\$ 591,109.54	\$ 221,233.45	\$ 14,699.58	\$ 9,500.00
Taylor	\$ 63,294.01	\$ 453,238.00	\$ 176,164.78	\$ -	\$ -
Tucker	\$ 35,925.06	\$ 102,710.00	\$ 48,854.00	\$ -	\$ -
Tyler	\$ 37,314.11	\$ 258,193.12	\$ 108,710.70	\$ -	\$ -
Upshur	\$ 68,270.21	\$ 708,603.31	\$ 211,034.88	\$ 25,597.49	\$ 13,500.00
Wayne	\$ 28,317.20	\$ 73,464.98	\$ 14,635.00	\$ 67,432.00	\$ 95,450.00
Webster	\$ 46,000.00	\$ 506,509.24	\$ 189,654.97	\$ 8,700.00	\$ 7,453.47
Wetzel	\$ 60,443.41	\$ 391,471.66	\$ 158,840.13	\$ 10,000.00	\$ -
Wirt	\$ 43,050.00	\$ 202,630.00	\$ 60,209.00	\$ 13,180.00	\$ -
Wood	\$ 209,426.00	\$ 2,818,161.24	\$ 1,136,584.81	\$ 41,991.75	\$ 10,200.00
Wyoming	\$ 94,881.90	\$ 1,055,784.99	\$ 212,489.18	\$ 57,828.66	\$ 18,000.00
Totals	\$ 4,900,785.41	\$ 43,516,935.73	\$ 16,169,055.75	\$ 1,977,353.25	\$ 709,078.91

County	Teachers Number	FTE	Aides Number	FTE
Barbour	17	15.2	1	0.5
Berkeley	27	26.6	2	2
Boone	17	17	0	0
Braxton	12	12	0	0
Brooke	6	6	0	0
Cabell	35	35	2	2
Calhoun	6	5	1	0.5
Clay	11	11	0	0
Doddridge	7	6.25	0	0
Fayette	36	36	0	0
Gilmer	8	4	0	0
Grant	6	6	0	0
Greenbrier	16	15.5	6	6
Hampshire	10	10	1	1
Hancock	5	5	0	0
Hardy	5	5	0	0
Harrison	34	0	0	0
Jackson	20	20	0	0
Jefferson	9	9	0	0
Kanawha	94	94.5	1	0.5
Lewis	8	8	0	0
Lincoln	18	18	0	0
Logan	27	27	9	9
Marion	32	32	0	0
Marshall	14	13.5	0	0
Mason	12	11.5	0	0
McDowell	28	28	9	9
Mercer	41	39.5	9	9
Mineral	12	11.6	5	5
Mingo	18	18	3	3
Monongalia	18	18	0	0
Monroe	6	6	2	2
Morgan	6	5.25	0	0
Nicholas	17	16.5	1	1
Ohio	23	20	0	0
Pendleton	3	3	0	0
Pleasants	2	2	0	0
Pocahontas	5	4.5	1	1
Preston	12	12	0	0
Putnam	18	17.5	0	0
Raleigh	49	46.5	0	0
Randolph	19	19	2	2
Ritchie	4	3.5	1	1
Roane	13	12.5	3	3
Summers	9	9	4	4
Taylor	6	6	0	0
Tucker	4	3.5	1	1
Tyler	6	6	0	0
Upshur	13	13	0	0
Wayne	24	24	6	6
Webster	9	8.5	4	4
Wetzel	5	5	5	2.5
Wirt	5	5	0	0
Wood	49	48	3	3
Wyoming	27	27	0	0
Totals	943	887.4	82	78

Title II, Part A  
Preparing, Training, and Recruiting Quality Teachers and Principals

Title II, Preparing, Training, and Recruiting High Quality Teachers and Principals was reauthorized under the Elementary and Secondary Education Act of 1965, as amended by the No Child Left Behind Act of 2002. The purpose of this program is to provide grants to State Educational Agencies, Local Educational Agencies, State agencies for higher education, and eligible partnerships in order to increase student academic achievement through strategies such as improving teacher and principal quality and increasing the number of highly qualified teachers in classrooms and highly qualified principals and assistant principals in schools. Title II also has the responsibility of holding Local Educational Agencies and schools accountable for improvements in student academic achievement. The West Virginia Department of Education's Office of Title II, School & School System Improvement administers the elementary and secondary education portion of the Title II grant.

West Virginia received \$23,096,968 as the FY '09 allocation; of that amount \$22,302,279 was allocated for local county school systems. The West Virginia Department of Education was allocated \$794,689 for state level training and administration. Of the funds received and administered by the West Virginia Department of Education, less than one half of one percent of the funds retained at the state level are used for statewide administration of the program.

A total of \$22,302,279 of the state allocation flowed to the 55 county school systems. Each county's allocation was based upon the total public and private non-profit school enrollments and in proportion to the county's allocation received under part A of Title I.

Examples of the variety of programs and services provided in school year 2007-2008 include:

- Participation in a variety of research based professional development activities for teachers targeted to individual county needs, including Title I and special education teachers, in collaboration and coordination with other funding sources such as Title I.
- Hiring of qualified teachers to reduce class size especially in lower grades.
- Participation by RESA model Arts Teams in receiving intensive professional in three strands: Critical Thinking and Problem Solving Skills, Strengthening of Arts Programs' Relationships with Parents and Community, and Strengthening of Instructional Management Skills. All three strands will be applied to the core content areas of dance, music, theatre, and visual art. The trainers will be arts teachers whose programs are outstanding MODEL



programs in their respective content areas. These teachers will become trainers to develop model programs for arts teams in each of the eight RESAs in the second year. The third year the arts teams in each RESA will continue professional development for teachers of the arts for all schools in each RESA.

- Continued development of high quality classrooms for pre-kindergarten and kindergarten children because of the growth in this population of professionals as a result of W.Va. Code §18-5-44. This development includes: three week-long college courses specifically designed for WV Pre-k teachers and assistants, an instructional coach to help move professional development for WV Pre-k teachers from awareness to implementation, and the development of a cadre of kindergarten teachers to address issues specific to kindergarten teaching and children.
- Provision of professional development for social studies teachers in civics and personal finance as a 21st Century Skill.
- Development of laboratory modules to provide secondary school science teachers with professional development, curriculum materials, and the necessary technology to conduct rigorous laboratory units in the sciences. These modules will be based on WV CSO's, aligned with state standards and assessments, and designed with consideration of the needs of higher education. The modules will be developed using the concepts set forth by the Partnership for 21st Century Skills and will also be designed to improve student performance on state and college assessments. The laboratory units will include activities on a variety of topics such as digital photography, precise site location using hand-held GPS units, computer-based mapping and software packages, and various other chemical and physical science topics. Teachers who participate in the development of the modules will return for a follow-up session each year to refine and develop their skills and knowledge and to provide professional development to additional teachers.
- Provision of West Virginia Writes as a state-wide plan for the professional development of RESAs, administrators and teachers in the core areas of process writing, writing rubrics/assessments, content area writing, on-demand writing, teaching writing with technology and the role of writing in higher education.
- Development of a state team of experts for Classroom Assessment for Learning that will help lead the development of professional learning communities for this 21<sup>st</sup> century system of assessment for the classrooms of West Virginia.

## Math Science Partnership Program Title II, Part B

The Math Science Partnership (MSP) program was created under the No Child Left Behind Act of 2001 (NCLB), which reauthorized the Elementary and Secondary Education Act (ESEA). The goal of the MSP program is to improve academic achievements of elementary and secondary students in mathematics and science by increasing instructional quality. In achieving this aim, the MSP must provide a minimum of a two-week summer institute for teachers with at least four follow-up days of support for teachers' learning during the school year.

The MSP is a competitive grant program awarded to partnerships between eligible county school systems and institutions of higher education. The partnerships must contain these two partners, but other partners such as community organizations, science centers and museums, professional societies, research laboratories, and business and industry organizations may participate. Successful partnerships are ones in which all the participants are willing to take risks. Each partner must have a stake in the outcome, something to gain if the partnership is successful and something to lose if it is not.

The grants are approximately \$170,000 per year for three years. For FY 09 the West Virginia Department of Education will award continuation grants to the existing partnerships. Two partnerships are in their third and final year and five partnerships are in their second year. The FY 09 allocation to West Virginia is \$1,174,794.

### Title III

Authorized under Public Law 107-110, No Child Left Behind, Title III subgrants support the efforts of school districts to assist limited English proficient (LEP) students to learn English and meet challenging State Content Standards and Objectives. Districts are eligible to apply for two types of Title III funding. Formula-based Title III grants are awarded based on the number of LEP students enrolled. Immigrant grants are awarded based on significant increases in the number of immigrant LEP students. Title III funds must be used to carry out activities that use approaches and methodologies that are based on scientifically-based research on teaching LEP children and immigrant children. The funds should be used for developing and implementing new language instruction educational programs; expanding or enhancing existing language instruction educational programs; implementing school-wide or system-wide programs designed to restructure, reform, and upgrade all programs, activities, and operations related to the education of limited English proficient students. The following school systems/consortia received Title III funding in FY09.

County/Consortia	Type of Funding	Amount of Funding
Berkeley	Title III Formula	\$109,450.00
Cabell	Title III Formula	\$35,750.00
Hardy	Title III Formula	\$10,000.000
Harrison	Title III Formula	\$32,725.00
Jefferson	Title III Formula	\$92,675.00
Kanawha	Title III Formula	\$75,900.00
Monongalia	Title III Formula	\$78,650.00
Wood	Title III Formula	\$12,925.00
Putnam/Jackson Consortium	Title III Formula	\$18,975.00
RESA IV Consortium	Title III Formula	\$24,200.00
RESA VI Consortium	Title III Formula	\$18,700.00
TOTAL		\$509,950.00

TITLE IV PART A

21<sup>ST</sup> Century Community Learning Center Grant Program

The West Virginia Department of Education serves as the administrator for the federally funded 21<sup>ST</sup> Century Community Learning Center (21<sup>ST</sup> CCLC) grant program. The purpose of the 21<sup>ST</sup> Century Community Learning Center Program is to establish and/or expand community learning centers that will assist learning and development for school age children and their families during out-of-school time. The program is authorized under Title IV, Part B of the Elementary and Secondary Education Act, H.R.-1. Allocations for each state are based upon the state's student enrollment and Title I participation. As of July 1, 2009, the West Virginia Department of Education has implemented 36 (under current funding) 21st CCLC programs providing academic enrichment opportunities for over 30,000 children throughout West Virginia.

The 21<sup>ST</sup> Century Community Learning Center Program name, county or area served, yearly amount of funding, and current year of the five-year cycle of funding is indicated in the chart below.

Calhoun	Heads Up Again	\$60,000.00	Fifth
Braxton, Fayette, Greenbrier, Nicholas, Pocahontas, Webster (RESA IV)	SPACE (School Programs to Accelerate Curricular Excellence) Expansion	\$282,867.00	Fourth
Harrison, Preston, Lewis, Randolph, Upshur (RESA VII)	Project ISAAC (Increasing Student Achievement Advancing Communities) (Expansion 2)	\$421,977.00	Fourth
Wayne	Playmates Preschool and Child Care Centers	\$282,867.00	Fourth
Monroe		\$100,000.00	Third
RESA VII		\$200,000.00	Third
PATCH (Jackson)		\$241,272.00	Third
RESA VII		\$ 350,000.00	Second
Monroco County		\$ 250,000.00	Second
Marion County		\$250,000.00	Second
Roane PATCH 21		\$250,000.00	Second
Wayne County		\$250,000.00	Second
Mercer County		\$200,000.00	Second
Clay County		\$200,000.00	Second
Jackson PATCH		\$200,000.00	Second
Huntington Boys and Girls		\$200,000.00	Second
RESA IV		\$274,400.36	Second

McDowell County		\$200,000.00	Second
Barbour	KidREACH	\$200,000.00	First
Wayne County	Playmates Preschool and Child Care Centers	\$225,000.00	First
Monongalia	Kaleidoscope 21st CCLC	\$200,000.00	First
RESA IV	Connections	\$250,000.00	First
Partnership of African American Churches	Communities Closing the Gap	\$200,000.00	First
Preston	Preston Co. Community Learning Centers	\$200,000.00	First
Ritchie	S.T.A.R.S (Strategies To Accelerate Ritchie Students)	\$200,000.00	First
RESA VII	Project ISSAC	\$200,000.00	First
Clay	Clay County 21st CLC Expansion Project	\$163,113.00	First
Fayette	New River Health Association, Inc./Accent Education	\$150,749.54	First
Kanawha- The Bob Burdette Center	Charleston Extended Learning Centers	\$200,000.00	First
Ohio	Anchor II	\$200,000.00	First
Lincoln	Lincoln Co. Schools 21st Century Community Learning Center	\$200,000.00	First
Calhoun	Heads Up	\$150,000.00	First
McDowell County	DREAMS 2 (Developing Realistic Expectations Among McDowell Students)	\$172,920.00	First
Step by Step	WV Dreamers Afterschool Program (21st CCLC)	\$180,000.00	First
RESA I	Project Challenge	\$200,000.00	First
Nicholas	Project Connect	\$150,000.00	First

## Title IV Part B

During the 2009-10 school year, \$1,547,132.00 in Title IV funds were allocated to the 55 counties for Safe and Drug-Free School programs to prevent the use of drugs and violence in our schools and communities. These funds support professional development, curriculum dissemination, security measures and school/community collaborative activities to prevent the use of drugs and violence. Funds are allocated based on a student population formula basis.

Title IV SAFE AND DRUG FREE SCHOOLS FUNDING FY 09-10

COUNTY	Total Allocation
Berkeley	69,537.57
Boone	24,010.62
Brooke	13,630.90
Cabell	74,769.93
Clay	14,453.45
Grant	8,995.41
Hampshire	20,054.24
Hancock	17,695.18
Hardy	9,445.38
Jackson	22,841.16
Jefferson	28,166.48
Kanawha	157,518.78
Lincoln	25,459.67
Logan	42,649.09
Marion	42,633.82
Marshall	25,711.72
Mason	22,465.65
Mercer	59,457.59
Mineral	21,532.65
Mingo	35,586.29
Monongalia	45,052.41
Monroe	9,688.97
Morgan	10,586.65
McDowell	48,189.74
Ohio	32,103.68
Pendleton	4,611.59
Putnam	32,772.10
Raleigh	69,133.88
Randolph	24,419.37
Ritchie	8,101.54
Summers	12,617.36
Taylor	13,234.18
Tyler	7,431.33
Wayne	42,579.51
Wetzel	14,117.87
Wood	77,290.94
Wyoming	26,780.42
Institutional Program	7,048.04
Deaf & Blind School	341.46
RESA IV Consortium	133,646.97
RESA V Consortium	33,403.09
RESA VII Consortium	157,365.34
<b>Total</b>	<b>1,547,132.00</b>

Rural and Low Income School Program  
Title VI, Part B, Subpart 2

The Rural and Low-Income School Program is a new program as of the passing of the No Child Left Behind Amendments to ESEA in 2001. The program targets rural school districts that serve high numbers of poor students. Not all West Virginia counties are eligible for the program, and the number of eligible counties varies from year to year. County school systems are eligible if they have 20 percent or more of the children aged 5 through 17 served by the system from families with incomes below the poverty line and all the schools served by the county are rural as defined by this program. For FY 09 the allocation for the Rural and Low-Income School Program was \$3,587,458. Of this amount, \$3,372,213 was allocated to county school systems and \$214,245 was retained by the state for administration, monitoring, and technical assistance. The thirty-five (35) county school systems eligible for Rural and Low-Income School program funding have a great amount of flexibility in how to use the funds from this grant. The funding for this program can be used for any expense that would be eligible for funding in any of the following programs:

1. Title I, Part A - Improving academic achievement of the disadvantaged.
2. Title II, Part A - Recruitment, retention and professional development for teachers and principals.
3. Title II, Part D – Educational technology.
4. Title III - Language instruction for limited English proficient students.
5. Title IV – Providing for safe and drug free schools and communities.
6. Parental Involvement in any program.

Once a county school system is identified for improvement they may only continue to use the funds in this program if it is spent for school improvement activities targeted at the reason they were identified.

The largest portion of this grant in eligible counties in West Virginia supports teacher professional development activities and provides for integration of technology into the curriculum.



## SECOND MONTH REPORT STUDENT COUNT

The count of students with exceptionalities is reported to the Office of School Finance for computation of adjusted enrollment in the school-aid formula. Revisions to the Public School Support Program formula beginning 2008-2009 eliminated the adjusted enrollment calculation. Previously, students with exceptionalities receiving special education services by the end of the second school month were weighted in the school-aid formula to yield the county's adjusted enrollment, which was a major factor in determining the foundation entitlement. Under the new formula, the weighted count is being phased out over a five year period, with districts that would have received a larger amount based on the previous calculation receiving a declining percentage of that excess each year until all districts' are funded on net enrollment.

The data are taken from the Second Month Report and are computed by totaling each special educator's unduplicated count of exceptional students. Policy 2419: *Regulations for the Education of Students with Exceptionalities*, revised August 2007, phased out the teacher caseload limits. Districts had the option during 2008-2009 of using the previous caseload rules or moving to new per period caseload limits. Therefore, the penalty for exceeding teacher caseload limits was not applied to the student count for 2008-2009. All districts will be required to implement the per period caseload limits in 2009-2010.

The number of exceptional students at the end of the second school month for the 2007-2008 school year was 51,508. The student count for the 2008-2009 school year was 50,500. Therefore, 2008-2009 shows a decrease of 1,008 students.

**Special Education Second Month Report  
 Exceptional Student Count  
 2008-2009**

Barbour	430	Mingo	741
Berkeley	2992	Monongalia	1970
Boone	901	Monroe	339
Braxton	433	Morgan	394
Brooke	759	McDowell	657
Cabell	1999	Nicholas	783
Calhoun	175	Ohio	1022
Clay	345	Pendleton	240
Doddridge	257	Pleasants	266
Fayette	1027	Pocahontas	248
Gilmer	150	Preston	957
Grant	413	Putnam	1726
Greenbrier	1015	Raleigh	1908
Hampshire	677	Randolph	832
Hancock	854	Ritchie	320
Hardy	370	Roane	459
Harrison	2163	Summers	239
Jackson	897	Taylor	386
Jefferson	1287	Tucker	185
Kanawha	5093	Tyler	313
Lewis	566	Upshur	751
Lincoln	754	Wayne	1532
Logan	894	Webster	252
Marion	1351	Wetzel	613
Marshall	988	Wirt	139
Mason	924	Wood	2380
Mercer	1437	Wyoming	856
Mineral	841	<b>Total</b>	<b>50500</b>

## MEDICAID

For more than 18 years, the West Virginia Department of Education (WVDE) has been authorized to request federal Medicaid reimbursement for health-related services that are part of a student's Individualized Education Program (IEP). Those services reimbursable since 1990 are speech, physical and occupational therapies, psychological services, audiology and private duty nursing services provided to eligible students.

In January 2000, in collaboration with the Department of Health and Human Resources, the WVDE included six additional services to be reimbursed by Medicaid. Those services are initial/triennial treatment planning, annual treatment planning, care coordination, one-to-one personal care services and specialized transportation vehicles and aides.

The WVDE developed a system for billing these services directly with the eight (8) Regional Education Service Agencies (RESAs) acting as the billing/processing agents for the Local Education Agencies (LEAs). In the 2002-2003 school year, the billing system was incorporated into the West Virginia Education Information System (WVEIS), establishing an electronic billing record. The RESAs also provide technical assistance and training to the county's individual providers and track denied claims to re-bill if possible. The WVDE also established a state level position to provide technical assistance to the RESAs and LEAs to ensure that they maximize their potential for reimbursement and remain compliant with the Medicaid program.

As a result, West Virginia received \$42.2 million in federal Medicaid reimbursement to the LEAs in the Fiscal Year 2009. West Virginia returns 100 percent of its federal Medicaid reimbursement to LEAs using state and local education funds to certify the state's match.

### **PRESCHOOL CHILDREN WITH DISABILITIES**

In the 2008-2009 school year, special education and related services were provided to 5899 children ages 3-5, including children identified as preschool special needs, speech-language impaired and other disabilities based on the December 1, 2008 child count. These services promoted their skills in all developmental areas. In addition, each eligible family is involved in an active partnership with education to enhance the child's development and promote family empowerment.

### **SERVICES TO STUDENTS WITH DEAFBLINDNESS**

One hundred eight (108) children, birth through 21, have been identified as deafblind in West Virginia based on the Deafblind Census, conducted annually by the WVDE. These are children with hearing and visual impairments occurring together, the combination of which causes such severe communication and other developmental and educational challenges that they cannot be appropriately educated in special education programs solely for children with deafness or blindness. Federal funds appropriated under this program are to improve special education and related services for these children. The project currently serves the one hundred eight (108) children who are deafblind and their families, teachers and service providers throughout the state.

## **WV SCHOOL TRANSPORTATION**

The Office of School Transportation acts as the agency for the Department of Education in providing safe and efficient school transportation for all public students in West Virginia. School bus transportation is the safest way to transport a child to school. Fatal crashes involving occupants are extremely rare events, even though school buses serve daily in every community. Every school day across West Virginia, 3715 buses transport 222,936 students. Last year West Virginia did not have a single child killed as a school bus occupant while traveling over 42,484,000 miles. The Office of School Transportation provides the following services to the county school systems:

- Provide certification, training, inspections, coordination, and technical assistance to assure the performance of safe, efficient transportation of all students riding a school bus to and from school.
- Ensure all school bus operators in West Virginia are properly licensed, certified, trained, and are physically fit to perform their duties safely and effectively.
- Ensure all public school buses in West Virginia are in the best possible mechanical condition by regularly scheduled inspections.
- Promote school bus safety programs.

The minimum requirement of forty hours of classroom and 12 hours of skills training for all school bus operator applicants, required annual refresher training of twelve hours, written examinations, annual physical examinations, criminal records checks, motor vehicle records checks, and pre-employment and random drug and alcohol screening combine to make West Virginia among the leaders in our nation in the amount of training and testing required for school bus operators.

Each summer, more than 400 people attend the school transportation conference. During the conference many timely and informative workshops and in-service sessions are held for county transportation administrators and maintenance mechanics.

The Office of School Transportation is responsible for regulating the minimum requirements for design and equipment of school buses. West Virginia leads the way in school bus safety and school bus design and construction. School transportation officials from around the United States recognize and respect the performance, efficiency, and safety record of school transportation in West Virginia.

## OFFICE OF SCHOOL FACILITIES

The Office of School Facilities (OSFac) provides facilities oversight and technical assistance for West Virginia's county school systems in the following ways: 1) indoor air quality investigation and remediation, 2) building automation design and operational technical support, 3) Heating Ventilating and Air-Conditioning design and technical support, 4) Federal and State regulatory implementation and evaluations, 5) energy management and utilization, 6) plant operations and maintenance, 7) Comprehensive Educational Facilities Plans (CEFPs) development and administration, 8) accountability and responsibility for the West Virginia State Board of Education Policies' 6200, 6201, 6202, 6203, and 6204, 9) facilities reviews for all School Building Authority financed schools, and 10) new school construction plan reviews. The professional staff supports and enhances a safe and comfortable environment for children to learn and play. The Executive Director is the State Superintendent's liaison with Department of Military Affairs and Public Safety, Homeland Security, and the State Office of Emergency Management.

In March 1999, the West Virginia Legislature enacted legislation that provides for investigation and resolution of indoor air quality issues in public schools. The OSFac in conjunction with the West Virginia Department of Health and Human Resources, Radiation, Toxics and Indoor Air Division developed a policy for investigating complaints of compromised indoor air quality in school facilities.

The progress made in improving school facilities in recent years has drawn national recognition defining the West Virginia Department of Education's, Office of School Facilities as a world-class leader in enhancing the indoor learning environment.

There will be a total of \$310,000,000.00 spent on plant operations, maintenance and energy in West Virginia's school facilities for FY 09-10. It should be noted that the OSFac has saved the county systems millions of dollars in operational costs since its inception. The cost savings include technical assistance in energy, maintenance, indoor air quality, engineering, construction and design, risk management, and training that we provide at no expense to the county school systems.

Our staff members include a Certified Indoor Environmentalists, a Certified Mold Environmentalist and Engineer.

Staff members for the OSFac are members of the Association of Physical Plant Administrators, the American Society of Heating, Refrigeration and Air Conditioning Engineers (ASHRAE), the Construction Owners Association of America, the Indoor Air Quality Association of America and the Executive Director is a member of an international ASHRAE committee that developed the standards for maintaining heating, ventilating, and air conditioning equipment.

**WEST VIRGINIA  
TECHNICAL AND ADULT EDUCATION SUMMARY  
2007-2008**

**ENROLLMENT:**

Secondary, Occupational .....	47,540
Secondary, Family & Consumer Sciences .....	14,001
Secondary, Technology Education .....	12,703
Secondary, Applied Academics and Prevocational .....	17,108
<b>Sub Total.....</b>	<b>91,352</b>
Postsecondary, College .....	21,827
Postsecondary, Non-College.....	2,479
<b>Sub Total.....</b>	<b>24,306</b>
Adult Supplemental, Occupational .....	126,556
Adult Supplemental, Public Service .....	43,481
<b>Sub Total.....</b>	<b>170,037</b>
Adult Basic Education (ABE).....	30,552
<b>Sub Total.....</b>	<b>30,552</b>
<b>Grand Total .....</b>	<b>316,247</b>

**NUMBER OF PROGRAMS:**

Secondary, Occupational .....	799
Secondary, All Other .....	623
Postsecondary, College.....	287
Postsecondary, Non-College .....	77
Adult Supplemental and Public Service Training.....	2,915
<b>Total .....</b>	<b>4,701</b>

**NUMBER OF FACILITIES:**

Multi-County Centers .....	7
County Vocational Centers, Five or More Programs .....	23
High Schools, Five or More Programs .....	25
Special Schools, Five or More Programs .....	3
Colleges, Five or More Programs.....	12
Colleges, Less than Five Programs.....	2
All Other.....	212
<b>Total .....</b>	<b>284</b>

### Adult Basic Education Enrollment and Funding

Fiscal Year	Enrollment	Federal Amount	State Amount
1979	11,511	\$995,582	\$700,000
1980	14,628	\$1,089,943	\$700,000
1981	14,663	\$1,089,943	\$700,000
1982	14,529	\$1,089,943	\$768,994
1983	16,588	\$951,177	\$825,635
1984	15,618	\$1,050,749	\$950,784
1985	17,795	\$1,102,444	\$1,248,000
1986	17,746	\$1,150,132	\$1,248,000
1987	19,634	\$11,006,810	\$1,282,400
1988	20,738	\$1,209,933	\$1,282,400
1989	20,019	\$1,307,994	\$1,282,400
1990	21,186	\$15,432,917	\$1,226,500
1991	23,077	\$1,756,166	\$1,707,000
1992	26,133	\$2,206,982	\$1,789,000
1993	25,866	\$2,566,069	\$1,901,127
1994	24,028	\$2,493,878	\$1,899,450
1995	26,232	\$2,493,882	\$2,052,666
1996	24,712	\$2,472,850	\$2,085,524
1997	24,592	\$2,427,162	\$2,360,207
1998	25,556	\$3,292,467	\$2,425,358
1999	23,751	\$339,039	\$2,600,500
2000	29,817	\$3,597,698	\$2,743,941
2001	28,184	\$4,088,283	\$2,887,437
2002	32,109	\$4,507,025	\$3,076,481
2003	29,228	\$4,516,055	\$3,276,216
2004	30,982	\$4,412,561	\$2,987,191
2005	29,942	\$3,977,305	\$3,113,039
2006	28,940	\$3,879,445	\$3,229,263
2007	30,132	\$3,842,198	\$3,523,665
2008	30,552	\$3,842,198	\$3,693,116



**TECHNICAL AND ADULT EDUCATION  
PLACEMENT OF GRADUATES AVAILABLE FOR EMPLOYMENT\***

YEAR	LEVEL	PERCENTAGE
1983	SECONDARY	76.2
	ADULT	87.0
1984	SECONDARY	79.6
	ADULT	88.7
1985	SECONDARY	81.3
	ADULT	87.1
1986	SECONDARY	84.3
	ADULT	93.5
1987	SECONDARY	86.7
	ADULT	88.9
1988	SECONDARY	88.3
	ADULT	93.0
1989	SECONDARY	85.6
	ADULT	88.9
1990	(DATA NOT AVAILABLE)	(DATA NOT AVAILABLE)
1991	SECONDARY	88.0
	ADULT	95.8
1992	SECONDARY	89.4
	ADULT	97.9
1993	SECONDARY	87.6
	ADULT	92.3
1994	SECONDARY	77.9
	ADULT	93.4
1995	SECONDARY	87.5
	ADULT	92.0
1996	SECONDARY and ADULT	93.7
1997	SECONDARY and ADULT	86.4
1998	SECONDARY and ADULT	90.5
1999	SECONDARY and ADULT	87.9
2000	SECONDARY and ADULT	88.8
2001	SECONDARY and ADULT	91.2
2002	SECONDARY and ADULT	82.8
2003	SECONDARY and ADULT	73.0
2004	SECONDARY and ADULT	91.7
2005	SECONDARY and ADULT	92.8
2006	SECONDARY and ADULT	89.7
2007	SECONDARY and ADULT	90.8
2008	SECONDARY AND ADULT	94.7

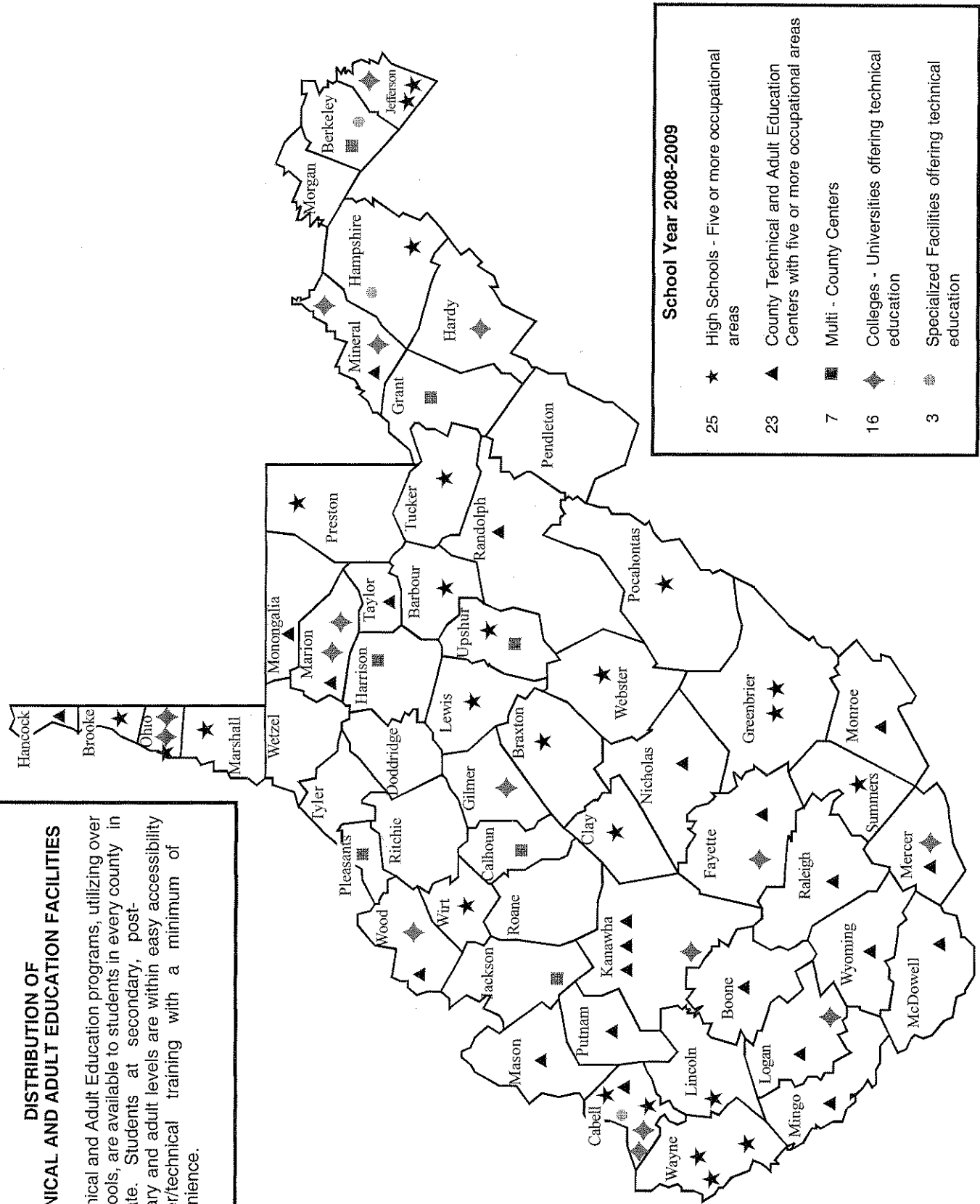
\*Placement as indicated by this data shows the percentage of students who were actively seeking employment who found a job.

TECHNICAL AND ADULT EDUCATION  
STATE APPROPRIATIONS

FISCAL YEAR	STATE APPROPRIATION
1980-1981	10,017,604
1981-1982	9,685,509
1982-1983	10,542,529
1983-1984	10,832,669
1984-1985	11,080,000
1985-1986	11,608,009
1986-1987	11,509,945
1987-1988	10,934,945
1988-1989	11,667,147
1989-1990	11,559,064
1990-1991	11,501,167
1991-1992	11,864,632
1992-1993	11,798,561
1993-1994	11,734,183
1994-1995	11,739,925
1995-1996	11,791,881
1996-1997	12,689,369
1997-1998	13,708,374
1998-1999	13,730,996
1999-2000	13,976,812
2000-2001	14,053,724
2001-2002	15,721,333
2002-2003	16,358,734
2003-2004	15,554,960
2004-2005	16,226,673
2005-2006	17,532,365
2006-2007	18,323,877
2007-2008	19,181,878
2008-2009	20,389,215

### DISTRIBUTION OF TECHNICAL AND ADULT EDUCATION FACILITIES

Technical and Adult Education programs, utilizing over 300 schools, are available to students in every county in the state. Students at secondary, post-secondary and adult levels are within easy accessibility of career/technical training with a minimum of inconvenience.





**Cedar Lakes Conference Center  
Ripley, West Virginia  
(304) 372-7860**

Cedar Lakes Conference Center was established by an act of the Legislature in 1949 as the home for the West Virginia Future Farmers of America and the West Virginia Future Homemakers of America. Officially opened in 1955, the camp continues to grow each year. The name more commonly used is Cedar Lakes Conference Center, which more accurately reflects its growing role in the state.

Cedar Lakes has approximately 275 acres of land and 52 buildings to provide lodging, meeting and food facilities for over 700 people. Cedar Lakes was constructed primarily with contributions that were supplemented by state and federal funds. It is estimated that the total assets of Cedar Lakes Conference Center are valued at over \$15,000,000.

Over 186,400 people utilized Cedar Lakes facilities last year. In 2009 the guest population represented all 55 states, the District of Columbia and many foreign countries. Cedar Lakes offers an inspirational retreat setting for business, education and recreation. The facilities are adaptable to meet the needs of corporate, civic, church, camp, family, social and government groups.

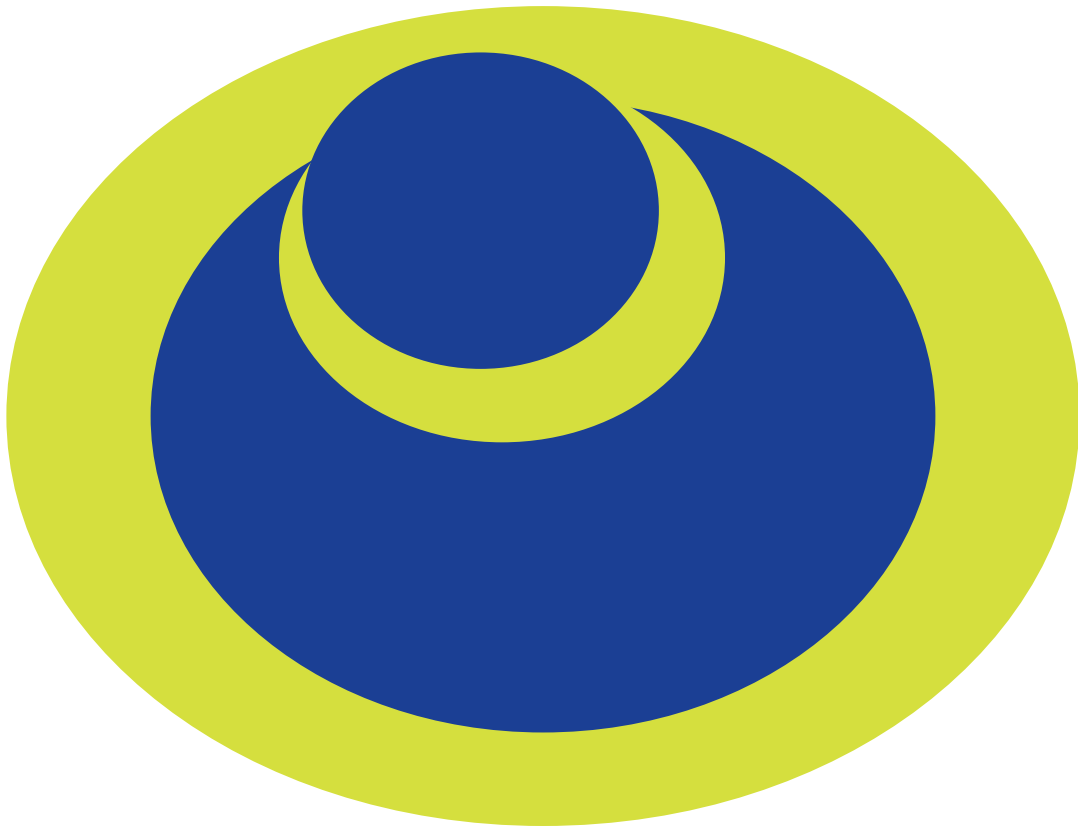
Cedar Lakes has dedicated itself to serving the youth of West Virginia by providing an affordable conference center where youth can meet and be housed while developing their leadership skills. In addition to the FFA and FCCLA, Cedar Lakes provides facilities to other organizations such as the Distributive Education Clubs of America (DECA), Technology Student Association (TSA) many other school sponsored activities, including 24 high school bands during the summer.

The 5<sup>th</sup> Annual Winterfest Activities and Light Show drew over 29,500 people through the center during the end of November through the end of December 2008. The total value of displays, grants and cash donated exceeds \$435,000. Career and Technical Students from Wheeling Park High School, Mingo County and Roane-Jackson Technical Center won first place awards in the 2008 Winterfest Light Competition.

Of major cultural importance Cedar Lakes Craft Center offers a variety of weekend and week long craft classes along with nationally recognized Elderhostel workshops. Cedar Lakes is also home to the Mountain State Art and Craft Fair. The 2008 Fair drew over 15,000 visitors who purchased \$535,000 from 150+ crafters and artisans. The Fair adds over one million dollars annually to the economy of West Virginia.

# GLOBAL21

*Students deserve it • The world demands it*



*Dr. Steven L. Paine*  
*State Superintendent of Schools*